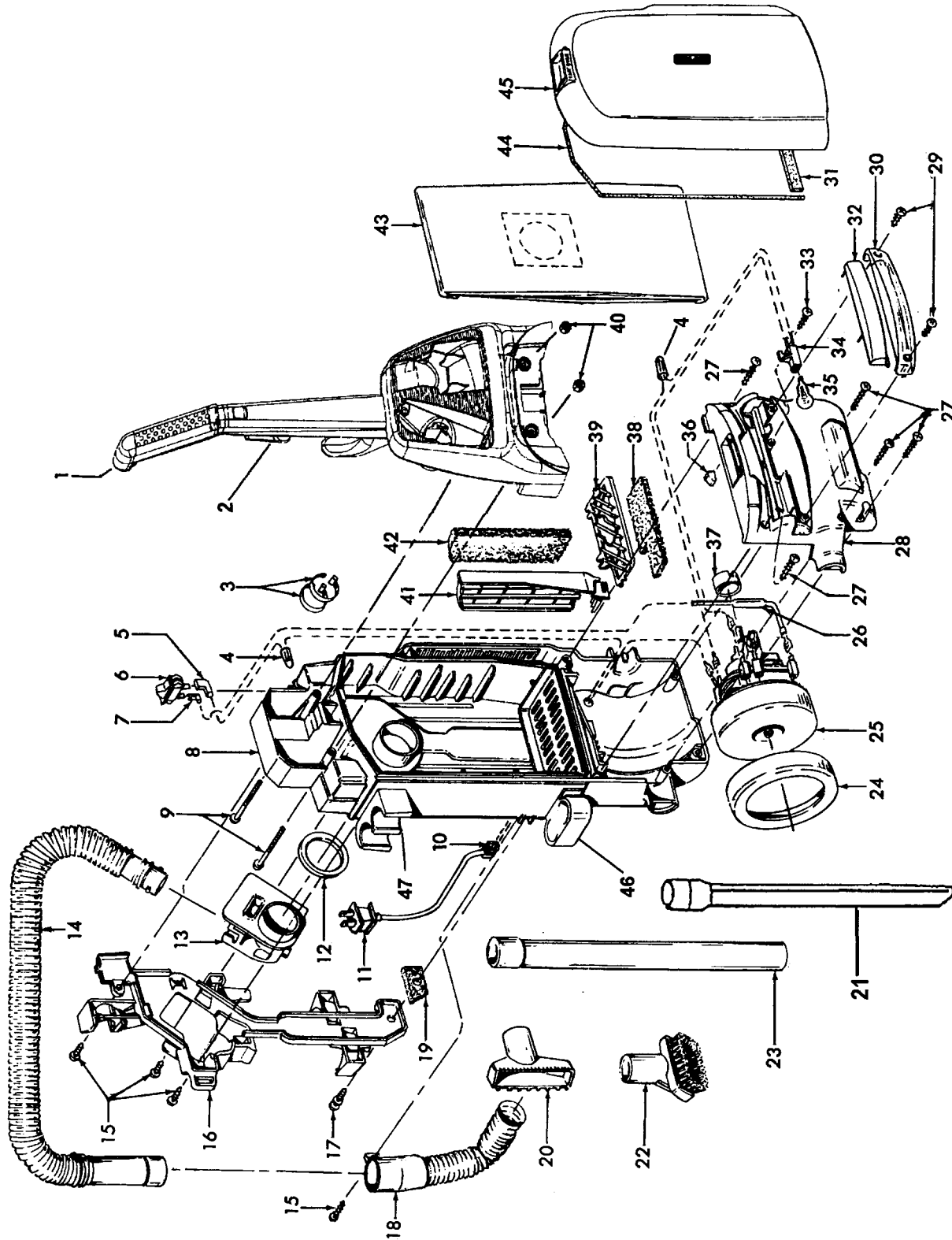


**Models U5344-900, U5347-900, U5347-960, U5348-900, U5349-900, U5361-900,
U5363-900, U5365-900,
U5409-900, U5409-955, U5409-990, U5453-900, U5461-900, U5462-900,
U5463-960, U5464-900, U5465-900, U5465-960, U5465-970, U5465-990**

| Ref. No. | Part No. | Description |
|----------|----------|--------------------------------------------------------------------------------|
| 1 | 37253284 | + Deluxe Hood - ABY - U5465- 900, U5465-960, U5465-990 |
| | 37253293 | Deluxe Hood - AG -U5465-970 |
| | 37253308 | Deluxe Hood - ACL - U5463-960 |
| | 37253322 | Deluxe Hood - ACL - U5461-900 |
| | 37253352 | Standard Hood - ADX -U5409-900, U5409-955, U5409-990 |
| | 37253364 | Standard Hood - ADK - U5453-900 U5464-900 |
| | 37253386 | Standard Hood - ADS - U5462-900 |
| | 37253394 | Deluxe Hood - AFS - U5344-900 |
| | 37253399 | Deluxe Hood - AFT - U5347-900, U5347-960 |
| | 37253A01 | Deluxe Hood - ACU - U5348-900 |
| | 37253A02 | Deluxe Hood - AG - U5349-900 |
| | 37253A26 | Deluxe Hood - WW - U5365-900 |
| | 37253A22 | Std. Hood - AFS - U5361-900 |
| | 37253A23 | Std. Hood - AFT - U5363-900 |
| 2 | 43431005 | Angled Hose Conn. Assem. |
| 3 | 38458043 | Handle Release Lever |
| 4 | 21447072 | * Screw Self Tapping |
| 5 | 36131094 | Trunnion Cover - ABE |
| 6 | 40309004 | Nozzle Adjustment Cam Assembly (Includes item 13) |
| 7 | 36171044 | Hose Clamp - ABE |
| 8 | 160017-- | * Retaining Ring |
| 9 | 38522077 | Rear Wheel |
| 10 | 32434008 | Rear Axle - AAX |
| | 32434012 | Rear Axle - U5365-900 |
| 11 | 37242123 | Main Body - ABE |
| 12 | 21447228 | * Screw Self Tapping |
| 13 | 40309004 | Nozzle Adj. Cam Assembly (Includes item 6) |
| 14 | 38355010 | Torsion Spring |
| 15 | 36432027 | Front Wheel Support |
| | 43248057 | Front Wheel Assembly - (Includes 15, 16, 17, 18) |
| 16 | 32541003 | Wheel Shaft |
| 17 | 38521004 | Front Wheel |
| 18 | 36131056 | * Wheel Retainer |
| 19 | 40309034 | Bottom Plate / Duct Cover Assem. Labyrinth Design (Inc. item 22) |
| | 40309026 | Bottom Plate / Duct Cover Assem. (Inc. item 22) |
| 20 | 38781053 | * Agitator Pulley Seal |
| 21 | 48414115 | Agitator Assem. Comp. - 15 IN (For use on both Labyrinth and Standard Designs) |
| 22 | 40309034 | Bottom Plate / Duct Cover Assembly - Labyrinth design (Inc. item 19) |
| | 40309026 | Bottom Plate / Duct Cover- Assembly (Includes item 19) |

| Ref. No. | Part No. | Description |
|----------|----------------------|----------------------------------------------------------------------------------------------------------------|
| 23 | 39511004 36235088 | Litter Picker (2) Furniture Guard Filler (2) U5344-900, U5347-900, U5347-960, U5348-900, U5349-900 |
| 24 | 21447121 | + Screw Self Tapping |
| 25 | 13261AY | * Rug Nozzle Rib Shoe |
| 26 | 38528033 | Belt |



| Ref. No. | Part No. | Description |
|----------|----------|------------------------------------------------------------|
| 1 | 48663178 | Upper Handle Assem. (Incl. It. 2) |
| 2 | 3944201P | Cord Wrap - ABE |
| 3 | 27479307 | * Wire Tie |
| 4 | 27618508 | * Wire Connector |
| 5 | N/A | Terminal |
| 6 | N/A | Switch - 3/16" terminals(Use 40309033 Switch Kit) |
| | 28161067 | Switch - 1/4" terminals (See note 1) |
| 7 | N/A | Terminal |
| 8 | 37255013 | Bag Housing - ABE |
| 9 | 40201149 | Handle Hdwe. (Incl. It 40) |
| 10 | 27482301 | Strain Relief - U5403-900 |
| | 27482230 | Strain Relief - U5409-900, U5409-955, U5409-990, U5415-900 |
| 11 | 46383322 | Cord - 35 Ft. - 3/16" terminal |
| | 46383334 | Cord - 35 Ft. - 1/4" terminal (See note 1) |
| 12 | 31178017 | Hose Connector Gasket |
| 13 | 38641005 | Hose Connector (also order it. 12) |
| 14 | 43434248 | Hose Assembly |
| 15 | 21447242 | Screw (4) |
| 16 | 36433112 | Tool / Hose Holder - ABE |
| 17 | 23149002 | Screw |
| 18 | 43431005 | Angled Connector Assem. w/Hose Door |
| 19 | 34311004 | Wire Opening Seal |
| 20 | 3861401E | Furniture Nozzle - ABR |
| 21 | 38617029 | Crevice Tool - ABR |
| 22 | 43414174 | Dusting Brush Assem.- ABR |
| 23 | 38634078 | Extension Tube - AG (2) |
| 24 | 36322035 | Motor Mount - Large |
| 25 | 43576188 | Motor Assembly |
| | 41311017 | Motor Brushes (2) |
| | 43566016 | Motor Fan Assembly |
| 26 | 47534027 | Thermal Protector - 3/16" terminal |
| | 28382087 | Thermal Protector - 1/4" terminal (See note 1) |
| | 51873001 | Thermal Protector Label |
| 27 | 21447230 | * Screw (5) |
| 28 | 37196009 | Motor Cover - ABE |
| 29 | 21447228 | * Screw (2) |
| 30 | 39383107 | Lens |
| 31 | 34123050 | Bag Door Gasket - Bottom |
| 32 | 37944010 | Cover - ABE |
| 33 | 21447072 | * Screw |

| Ref. No. | Part No. | Description |
|-----------------------|----------|-------------------------------------------------------|
| 34 | 47173023 | Wiring Harness - 3/16" terminal |
| | 47173027 | Wiring Harness - 1/4" terminal (See note 1) |
| 35 | 27313101 | Dirt Finder Lamp |
| 36 | 34131019 | Wire Opening Plug |
| 37 | 36322030 | Motor Mount - Small |
| 38 | 38765019 | Secondary Filter |
| 39 | 36426034 | Secondary Filter Retainer |
| 40 | 21641558 | * Hex Nut (2) |
| 41 | 36426038 | Filter Holder - ABE |
| 42 | 38766008 | Final Filter |
| | 40110004 | Final Filter Pack (3 Layer - Qty. 2) |
| 43 | 4010100Y | Throw Away Bag (3 pack) |
| 44 | 38781057 | Bag Door Gasket |
| 45 | 37254140 | Bag Housing Door - ACM |
| | 42255094 | Bag Hsg. Door - AG - U5415-900 |
| | 42255093 | Bag Hsg. Door - ADX - U5409-900, U5409-955, U5409-990 |
| 46 | 36433116 | Lower Wand Holder |
| 47 | 36433117 | Upper Wand Holder |
| | 56511A66 | Owner Manual |
| | 58185211 | Carton - U5403-900, U5409-900, U5409-990 |
| | 58185224 | Carton - U5415-900 |
| | 58645317 | Carton - U5409-955 |
| Items not illustrated | | |
| | 12910 | Attach. Cord Clamp |
| | 51151010 | Indicator Assembly |
| | 49811059 | Lead Wire - Red - 3/16" terminal |
| | 49811073 | Lead Wire - Red - 1/4" terminal (See note 1) |
| | 43434042 | Hose Assem. - Extra - U5409-990, U5409-955 |

Note 1 - Models produced after June 2000 incorporated 14 gauge wiring and associated electrical components with 1/4" terminals. Ref. service bulletin 4-00.
 The Models U5409-900, U5409-955 and U5409-990 were produced with the latest 1/4" terminal components only.

Main Body:
U5403-900 (P. 325)
U5415-900 (P. 325)
U5409-900, U5409-955, U5409-990 (P. 329)