

Farrington WindTunnel Cleaner

Model U5436-950

Ref. No.	Part No.	Description
1	48663205	Handle Assem - ABE (Incl. It.2, 45)
2	3944201P	Cord Wrap
3	43434248	Hose Assem Comp.
4	36433111	Hose Holder - Early Models
	36433137	Hose Holder - Late Models - see note #1
5	40201149	Handle Hardware Assem.
6	36433120	Wand/Hose Holder
7	21447242	Screw Self Tapping
8	23149002	Screw Self Tapping
10	38641005	Dirt Duct - AG
11	31178017	Hose Connector Gasket
12	34311004	Wire Opening Seal
13	43431005	Angled Hose Conn. Assem. with hose door
14	27482230	Strain Relief
15	37255011	Bag Housing Dlx. - ABE
	37255029	Bag Housing Dlx. - ABE (Models produced after May 2001)
	40309040	Bag Housing Kit - Dlx. (see note 3)
16	46383322	Cord - 35' - with 3/16" terminal
	46383334	Cord - 35' with 1/4" terminal (See note 2)
17	43576188	Motor Assembly Complete
	43566016	Motor Suction Fan
18	36322035	Motor Mount - Large
19	41311017	Motor Brush Assembly (2)
20	47534027	Thermal Protector - w/ 3/16" terminals
	28382087	Thermal Protector - w/ 1/4" terminals (See note 2)
	51873001	Thermal Protector Label
22	37196009	Motor Cover
	37196158	Motor Cover (Models produced after May 2001)
23	21447230	* Screw Self Tapping
24	21447228	* Screw Self Tapping
25	39383107	Lens - CP
26	37944010	Cover - ABE
27	27313101	Dirt Finder Lamp
28	21447072	* Screw Self Tapping
29	47173023	Wiring Harness - with 3/16" terminals
	47173027	Wiring Harness - with 1/4" terminals (See note 2)
30	27618508	* Wire Nut
31	34123050	Bag Door Gasket - Bottom
32	36322030	Motor Mount - Small
33	66655409	Protector Tube
34	36426033	Filter Holder - ABE
35	38766011	Final Filter
36	36426034	Secondary Filter Retainer
37	38765019	Secondary Filter
38	27479307	* Lead Wire Tie
39	34131019	Wire Opening Plug
40	51151010	Indicator Assembly

Ref. No.	Part No.	Description
41		Note: All Bag Housing Doors include items 31 & 42
	42255097	Bag Hsg. Door Dlx.-AAY-U5436-950
	42255053	Bag Hsg. Door Dlx. -ABY- U5433-900
	42255089	+ Bag Hsg. Door - U5434-900
	42255063	Bag Hsg. Door Dlx. - ADX -U5435-900
	42255110	Bag Hsg. Door Dlx. - ADX-U5446-900
	42255099	Bag Hsg. Door Dlx. - ADS-U5446-900
	42255114	Bag Hsg. Door Dlx. - ABM-U5432-900
42	38781057	Bag Door Gasket
43	37257221	Filter Grill - ABC
44	40201149	Handle Hardware Assem
45	N/A	Carry Handle
46	N/A	Switch - 3/16" terminals(Use 40309033 Switch Kit)
	28161067	Switch - 1/4" terminals (See note 2)
47-48		Not Applicable
49	4010100Y	Throw-Away Bag (3 Pk)
50	37257260	Tool Door
51	38634078	Extension Tube - AG
52	38617027	Crevice Tool - ABR
53	3861401E	Furniture Nozzle - ABR
54	43414162	Dusting Brush - ABR
		Items not illustrated
	51869050	Warning Label
	51632001	Filter Door Label - Small
	51632002	Filter Door Label - Small - U5436-950
	51639143	Label Filter Door
	012910--	Cord Clamp
	56511B19	Owners Manual - U5435-900, U5446-900
	56511A90	Owners Manual - U5436-950
	56511A35	Owners Manual - U5433-900
	56511A67	Owners Manual - U5434-900 U5437-960
	58185185	Cleaner Carton
	58185212	Cleaner Carton - U5436-950
	49129007	Turbine Hand Tool (P.357)

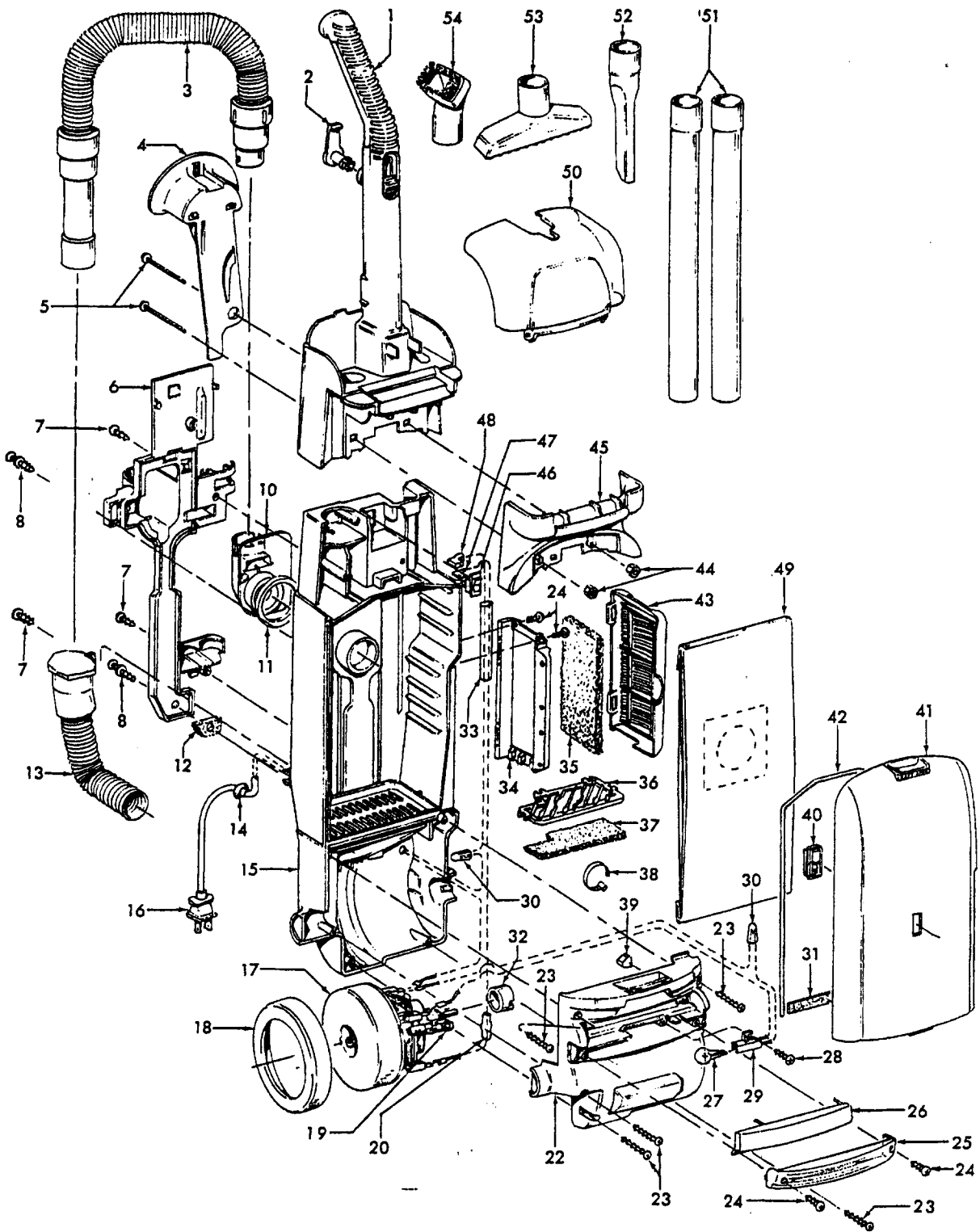
Main Body and related components (P.325)

Note 1 - The late model tool holder was revised by adding supporting ribs to the hooks. To use the late model tool holder on an early model unit requires a new tool door. Ref. Service Bulletin 2-99

Note 2 - Models produced after June 2000 incorporated 14 gauge wiring and associated electrical components with 1/4" terminals. Ref. Service Bulletin 4-00.

Note 3 - The late model bag housing was revised by moving a wall in the trunnion area. To use the late model bag housing with an early model requires a new motor cover. Ref. Service Bulletin 4-01.

* The model U5446-960 is a bonus pack which includes the model U5446-900 plus a turbine powered hand tool. (49129010) Bonus bags were removed from this model.



WindTunnel Models U5330-900 (15"), U5393-900(13"), U5394-900(13"), U5395-900(13"), ** U5395-940(13"), * U5395-960 (13"), U5395-970(13"), U5396-900(15"), ***** U5396-960 (15"), U5397-900(15"), U5398-900 (15"), *****U5398-990 (15 IN), U5399-900 (13 IN), U5403-900 (13"), U5432-900(13"), U5433-900(13"), U5434-900(13"), U5435-900(13"), U5437-960, U5443-900(15"), U5439-900(13"), ***U5443-940(15"), ****U5443-960(15"), U5445-900(15"), *** U5445-940(15"), U5446-900, *****U5446-960 U5447-900 (15"), U5449-940 (15"), U5450-900 (15"), U5451-900(15"), U5454-900 (15"), U5456-900 (15"), U5457-900(15"), U5460-900 (15")

WT TurboPOWER Model U5415-900 (13"), U5420-900(15"), U5469-900(13"), U5469-910(15"), U5475-900(15")***** U5475-960 (15"), U5477-900 (15")

WT Farrington Model U5436-950, U5452-900 (15")

Ref. No.	Part No.	Description	Ref. No.	Part No.	Description
1	37253285	Hood - ABY - 13 IN - U5433-900	9	38522077	Rear Wheel
	37253287	Hood - ABY - 13 IN - U5395-900		43244005	Rear Wheel - U5452-900
	37253290	Hood - AG - 13 IN - U5469-900	10	32434008	Rear Axle - AAX
	37253307	Hood - ACM - 13 IN - U5403-900	11	37242124	Main Body - ABE - 13 IN
	37253315	Hood - AG - 13 IN - U5393-900		37242123	Main Body - ABE - 15 IN
	37253342	Hood - ADX - 13 IN - U5434-900	12	21447228	* Screw Self Tapping
	37253353	Hood - AG - 13 IN - U5415-900	13	40309004	Nozzle Adj. Lever / Cam Assembly (Inc. item 4)
	37253389	Hood - AG - 13 IN CP 25.0 - U5415-900	14	38355010	Torsion Spring
	37253361	Hood - AAY - 13 IN - U5436-950	15	43248057	Front Wheel Assem. (Inc items 15, 16, 17, 18)
	37253373	Hood - ADS - 13 IN - U5439-900, U5437-960	16	32541003	Wheel Shaft
	37253381	Hood - ACX - 13" - U5330-900	17	38521004	Front Wheel
	37253395	Hood - ACF - 13" - U5394-900	18	36131056	* Wheel Retainer
	37253396	Hood - ABY - 13 IN - U5399-900	19	40309034	Bottom Plate / Duct Cover - 15 IN Labyrinth design (See Illustration)
	37253A06	Hood - ABM - 13 IN - U5432-900		40309025	Bottom Plate / Duct Cover - 13 IN (Incl. It. 22)
	37253363	Hood - ACL - 13 IN - U5435-900		40309026	Bottom Plate / Duct Cover - 15 IN (Inc. item 22)
	37253286	Hood - ABY - 15 IN - U5445-900	20	38781053	* Agitator Pulley Seal
	37253289	Hood - AG - 15 IN - U5475-900 - (Early models w/ Standard Hood)	21	48414115	Agitator Assem. Comp. - 15 IN
	37253299	Hood - AG - 15 IN - U5475-900 - (Late models w/ Deluxe Hood)		48414110	Agitator Assem. Comp. - 13 IN
	37253294	Hood - AG - 15 IN - U5443-900	22	40309034	Bottom Plate / Duct Cover - 15 IN Labyrinth design (See Illustration)
	37253297	Hood - ABY - 15 IN - U5451-900		40309025	Bottom Plate / Duct Cover - 13 IN (Incl. It. 19)
	37253298	Hood - AG - 15 IN - U5469-910		40309026	Bottom Plate / Duct Cover - 15 IN (Incl. It. 19)
	37253305	Hood - ACL - 15 IN - U5397-900	23	39511004	Litter Picker (2)
	37253313	Hood - ACF - 15 IN - U5449-940	24	21447121	***Screw Self Tapping
	37253316	Hood - AG - 15 IN - U5420-900	25	13261AY	* Rug Nozzle Rib Shoe
	37253306	Hood - ABR - 15 IN - U5396-900	26	38528033	Belt
	37253319	Hood - MU - 15 IN - U5447-900			
	37253343	Hood - ADK - 15 IN - U5450-900			
	N/A	Hood - AAY - 15 IN - U5452-900			
	37253350	+ Hood - ADX - 15 IN - U5456-900, U5460-900			
	37253360	Hood - ADY - 15 IN - U5457-900			
	37253383	Hood - AFE - 15 IN - U5452-900 (Models produced after 5/01)			
	37253363	Hood - ACL - 15 IN - U5435-900			
	37253387	Hood - ABR - 15 IN - U5398-900, U5398-990			
	37253391	Hood - ADX - 15 IN - U5454-900, U5446-900,			
	37253388	Hood - AG - 15 IN - U5477-900			
2	43431005	Angled Hose Conn. Assem. w/ Hose Door (models w/o nozzle hose extension)			
3	38458043	Handle Release Lever			
4	40309004	Nozzle Adj. Lever / Cam Assembly (Inc. item 13)			
5	21447072	* Screw Self Tapping			
6	36131094	Trunnion Cover - ABE			
7	36171044	Hose Clamp - ABE			
8	160017	* Retaining Ring			

* Model U5395-960 is identical to model U5395-900 except for addition of deluxe hose and nozzle hose extension.
 ** Model U5395-940 is identical to model U5395-900 except for additional 6 Throw-away bags.
 *** Model U5443-940 and U5445-940 are identical to models U5443-940 and U5445-940 respectively except for additional 6 Throw-away bags.
 **** Model U5443-960 is identical to model U5443-900 except for the addition of the extra 20' hose.
 ***** U5396-960 is identical to model U5396-900 except for the addition of the extra 20' hose.
 ***** Model U5475-960 is identical to model U5475-900 except for 31' cord and addition of 20' hose.
 *****Model U5398-990 is identical to model U5398-900 except for the addition of a turbine powered hand tool.
 *****Model U5446-960 is a bonus pack which includes the model U5446-900 plus a turbine powered hand tool. (49129010). Bonus bags were removed from this model.

