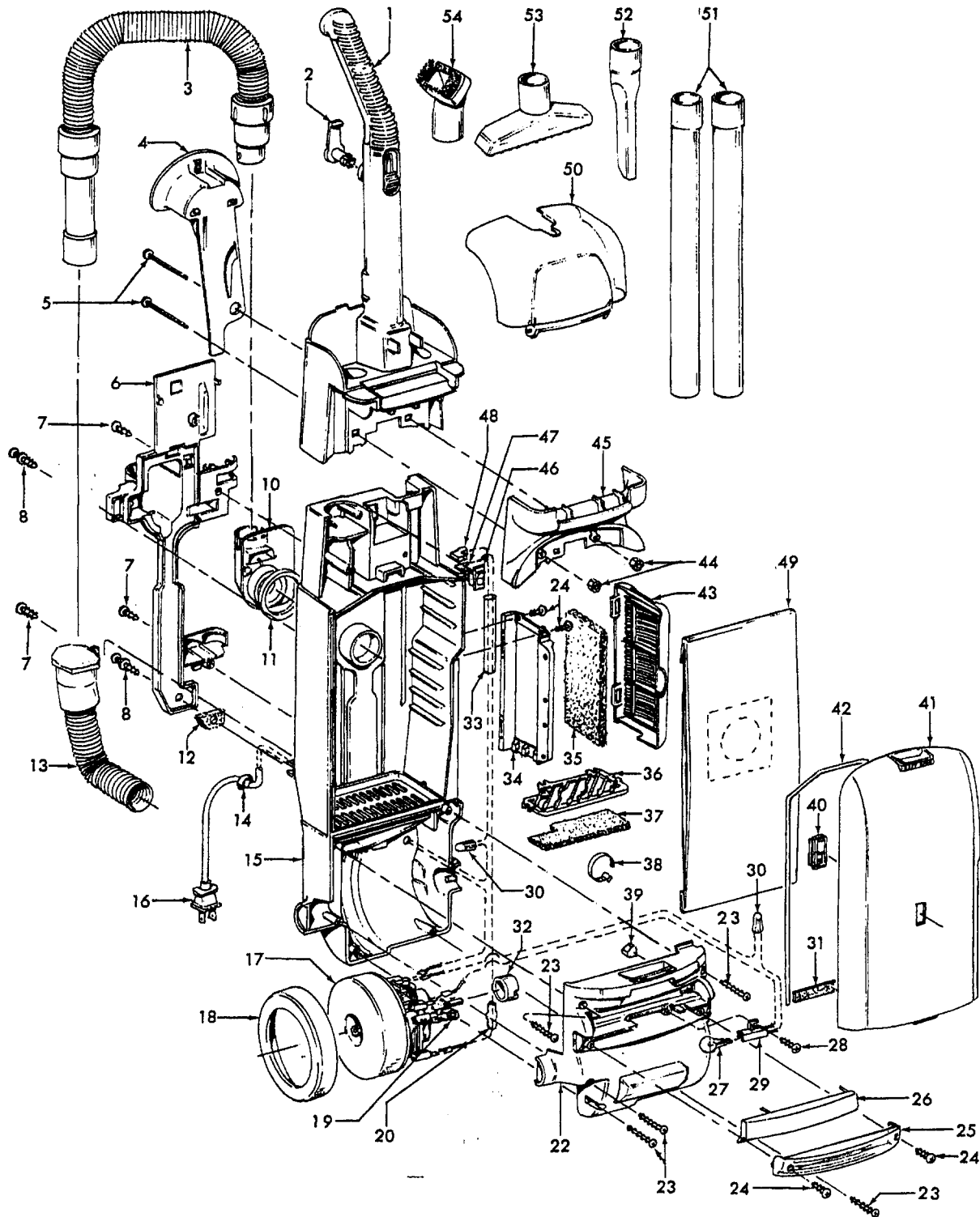


Farrington WindTunnel Cleaner

Model U5436-950



# WindTunnel

# Models U5433-900, U5434-900, U5435-900, U5437-960 U5446-900

## Farrington WindTunnel Cleaner

## Model U5436-950

| Ref. No. | Part No. | Description   |
|----------|----------|---|
| 1        | 48663205 | Handle Assem - ABE (Incl. It.2, 45)                     |
| 2        | 3944201P | Cord Wrap   |
| 3        | 43434248 | Hose Assem Comp.  |
| 4        | 36433111 | + Hose Holder - Early Models                            |
|          | 36433137 | Hose Holder - Late Models - see note #1                 |
| 5        | 40201149 | Handle Hardware Assem.                                  |
| 6        | 36433120 | Wand/Hose Holder  |
| 7        | 21447242 | Screw Self Tapping                                      |
| 8        | 23149002 | Screw Self Tapping                                      |
| 10       | 38641005 | Dirt Duct - AG  |
| 11       | 31178017 | Hose Connector Gasket                                   |
| 12       | 34311004 | Wire Opening Seal                                       |
| 13       | 43431005 | Angled Hose Conn. Assem. with hose door                 |
| 14       | 27482230 | Strain Relief   |
| 15       | 37255011 | Bag Housing Dlx. - ABE                                  |
|          | 37255029 | Bag Housing Dlx. - ABE (Models produced after May 2001) |
|          | 40309040 | Bag Housing Kit - Dlx. (see note 3)                     |
| 16       | 46383322 | Cord - 35' - with 3/16" terminal                        |
|          | 46383334 | Cord - 35' with 1/4" terminal (See note 2)              |
| 17       | 43576188 | Motor Assembly Complete                                 |
|          | 43566016 | Motor Suction Fan                                       |
| 18       | 36322035 | Motor Mount - Large                                     |
| 19       | 41311017 | Motor Brush Assembly (2)                                |
| 20       | 47534027 | Thermal Protector - w/ 3/16" terminals                  |
|          | 28382087 | Thermal Protector - w/ 1/4" terminals (See note 2)      |
|          | 51873001 | Thermal Protector Label                                 |
| 22       | 37196009 | Motor Cover   |
|          | 37196158 | Motor Cover (Models produced after May 2001)            |
| 23       | 21447230 | * Screw Self Tapping                                    |
| 24       | 21447228 | * Screw Self Tapping                                    |
| 25       | 39383107 | Lens - CP   |
| 26       | 37944010 | Cover - ABE   |
| 27       | 27313101 | Dirt Finder Lamp  |
| 28       | 21447072 | * Screw Self Tapping                                    |
| 29       | 47173023 | Wiring Harness - with 3/16" terminals                   |
|          | 47173027 | Wiring Harness - with 1/4" terminals (See note 2)       |
| 30       | 27618508 | * Wire Nut  |
| 31       | 34123050 | Bag Door Gasket - Bottom                                |
| 32       | 36322030 | Motor Mount - Small                                     |
| 33       | 66655409 | Protector Tube  |
| 34       | 36426033 | Filter Holder - ABE                                     |
| 35       | 38766011 | Final Filter  |
|          | 38766007 | Final Filter - 2 Layer - U5436-950                      |
| 36       | 36426034 | Secondary Filter Retainer                               |
| 37       | 38765019 | Secondary Filter  |
| 38       | 27479307 | * Lead Wire Tie   |
| 39       | 34131019 | Wire Opening Plug                                       |
| 40       | 51151010 | Indicator Assembly                                      |

| Ref. No.                     | Part No.   | Description                                       |
|------------------------------|--|---|
| 41                           | <b>Note: All Bag Housing Doors include item 40</b> |   |
|                              | 42255097   | Bag Hsg. Door Dlx. -AAY-U5436-950                 |
|                              | 42255053   | Bag Hsg. Door Dlx. -ABY- U5433-900                |
|                              | 42255089   | + Bag Hsg. Door - U5434-900                       |
|                              | 42255063   | Bag Hsg. Door Dlx. - ADX -U5435-900               |
|                              | 42255110   | Bag Hsg. Door Dlx. - ADX-U5446-900                |
|                              | 42255099   | Bag Hsg. Door Dlx. - ADS-U5446-900                |
| 42                           | 38781057   | Bag Door Gasket                                   |
| 43                           | 37257221   | Filter Grill - ABC                                |
| 44                           | 40201149   | Handle Hardware Assem                             |
| 45                           | N/A  | Carry Handle                                      |
| 46                           | N/A  | Switch - 3/16" terminals(Use 40309033 Switch Kit) |
|                              | 28161067   | Switch - 1/4" terminals (See note 2)              |
| 47-48                        |  | Not Applicable                                    |
| 49                           | 4010100Y   | Throw-Away Bag (3 Pk)                             |
| 50                           | 37257260   | Tool Door   |
| 51                           | 38634078   | Extension Tube - AG                               |
| 52                           | 38617027   | Crevice Tool - ABR                                |
| 53                           | 3861401E   | Furniture Nozzle - ABR                            |
| 54                           | 43414162   | Dusting Brush - ABR                               |
| <b>Items not illustrated</b> |  |   |
|                              | 51869050   | Warning Label                                     |
|                              | 51632001   | Filter Door Label - Small                         |
|                              | 51632002   | Filter Door Label - Small - U5436-950             |
|                              | 51639143   | Label Filter Door                                 |
|                              | 012910--   | Cord Clamp  |
|                              | 56511B19   | Owners Manual - U5435-900, U5446-900              |
|                              | 56511A90   | Owners Manual - U5436-950                         |
|                              | 56511A35   | Owners Manual - U5433-900                         |
|                              | 56511A67   | Owners Manual - U5434-900 U5437-960               |
|                              | 58185185   | Cleaner Carton                                    |
|                              | 58185212   | Cleaner Carton - U5436-950                        |
|                              | 49129007   | Turbine Hand Tool (P.357)                         |

### Main Body and related components (P.325)

**Note 1** - The late model tool holder was revised by adding supporting ribs to the hooks. To use the late model tool holder on an early model unit requires a new tool door. Ref: Service Bulletin 2-99

**Note 2** - Models produced after June 2000 incorporated 14 gauge wiring and associated electrical components with 1/4" terminals. Ref. Service Bulletin 4-00.

**Note 3** - The late model bag housing was revised by moving a wall in the trunnion area. To use the late model bag housing with an early model requires a new motor cover. Ref. Service Bulletin 4-01.

WindTunnel

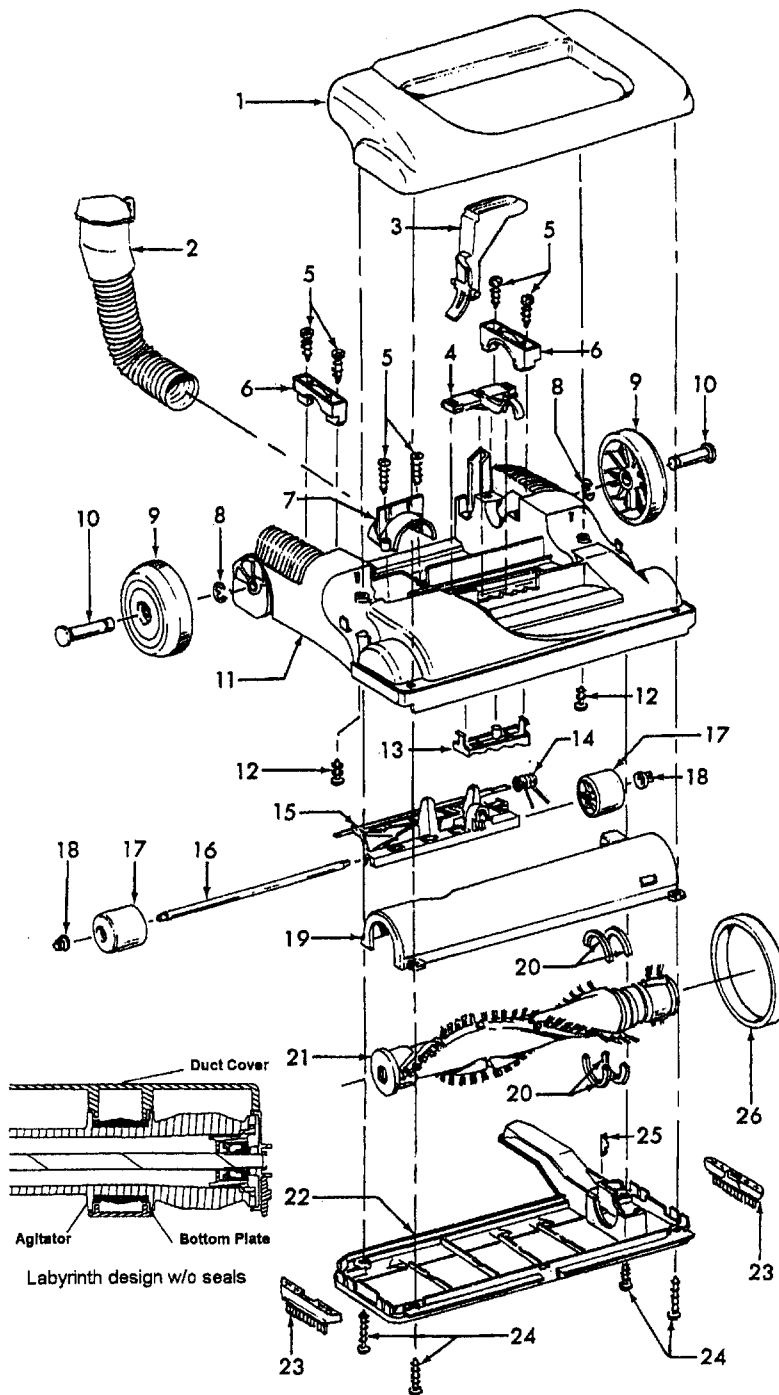
Models U5330-900 (15"), U5393-900(13"), U5394-900(13"), U5395-900(13"), \*\* U5395-940(13"), \* U5395-960 (13"), U5395-970(13"), U5396-900(15"), \*\*\*\*\* U5396-960 (15"), U5397-900(15"), U5398-900 (15"), \*\*\*\*\*U5398-990 (15 IN), U5399-900 (13 IN), U5403-900 (13"), U5433-900(13"), U5434-900(13"), U5435-900(13"), U5437-960, U5443-900(15"), U5439-900(13"), \*\*\*U5443-940(15"), \*\*\*\*U5443-960(15"), U5445-900(15"), \*\*\* U5445-940(15"), U5446-900, U5447-900 (15"), U5449-940 (15"), U5450-900 (15"), U5451-900(15"), U5454-900 (15"), U5456-900 (15"), U5457-900(15"), U5460-900 (15")

WT TurboPOWER

Model U5415-900 (13"), U5420-900(15"), U5469-900(13"), U5469-910(15"), U5475-900(15")\*\*\*\*\* U5475-960 (15"), U5477-900 (15")

WT Farrington

Model U5436-950, U5452-900 (15")



WindTunnel Models U5330-900 (15"), U5393-900(13"), U5394-900(13"), U5395-900(13"), \*\* U5395-940(13"), \* U5395-960 (13"), U5395-970(13"), U5396-900(15"), \*\*\*\*\* U5396-960 (15"), U5397-900(15"), U5398-900 (15"), \*\*\*\*\*U5398-990 (15 IN), U5399-900 (13 IN), U5403-900 (13"), U5433-900(13"), U5434-900(13"), U5435-900(13"), U5437-960, U5443-900(15"), U5439-900(13"), \*\*\*U5443-940(15"), \*\*\*\*U5443-960(15"), U5445-900(15"), \*\*\* U5445-940(15"), U5446-900, U5447-900 (15"), U5449-940 (15"), U5450-900 (15"), U5451-900(15"), U5454-900 (15"), U5456-900 (15"), U5457-900(15"), U5460-900 (15")

WT TurboPOWER Model U5415-900 (13"), U5420-900(15"), U5469-900(13"), U5469-910(15"), U5475-900(15")\*\*\*\*\* U5475-960 (15"), U5477-900 (15")

WT Farrington Model U5436-950, U5452-900 (15")

| Ref. No. | Part No. | Description  | Ref. No. | Part No. | Description   |
|----------|----------|--|----------|----------|---|
| 1        | 37253285 | Hood - ABY - 13 IN - U5433-900   | 11       | 37242124 | Main Body - ABE - 13 IN   |
|          | 37253287 | Hood - ABY - 13 IN - U5395-900   |          | 37242123 | Main Body - ABE - 15 IN   |
|          | 37253290 | Hood - AG - 13 IN - U5469-900  | 12       | 21447228 | * Screw Self Tapping  |
|          | 37253307 | Hood - ACM - 13 IN - U5403-900   | 13       | 40309004 | Nozzle Adj. Lever / Cam Assembly (Inc. item 4)                        |
|          | 37253315 | Hood - AG - 13 IN - U5393-900  | 14       | 38355010 | Torsion Spring  |
|          | 37253342 | Hood - ADX - 13 IN - U5434-900   | 15       | 43248057 | Front Wheel Assem. (Inc items 15, 16, 17, 18)                         |
|          | 37253353 | Hood - AG - 13 IN - U5415-900  | 16       | 32541003 | Wheel Shaft   |
|          | 37253389 | Hood - AG - 13 IN CP 25.0 - U5415-900                                    | 17       | 38521004 | Front Wheel   |
|          | 37253361 | Hood - AAY - 13 IN - U5436-950   | 18       | 36131056 | * Wheel Retainer  |
|          | 37253373 | Hood - ADS - 13 IN - U5439-900, U5437-960                                | 19       | 40309034 | Bottom Plate / Duct Cover - 15 IN Labyrinth design (See Illustration) |
|          | 37253381 | Hood - ACX - 13" - U5330-900   |          | 40309025 | Bottom Plate / Duct Cover - 13 IN (Incl. It. 22)                      |
|          | 37253395 | Hood - ACF - 13" - U5394-900   |          | 40309026 | Bottom Plate / Duct Cover - 15 IN (Inc. item 22)                      |
|          | 37253396 | Hood - ABY - 13 IN - U5399-900   | 20       | 38781053 | * Agitator Pulley Seal  |
|          | 37253286 | Hood - ABY - 15 IN - U5445-900   | 21       | 48414115 | Agitator Assem. Comp. - 15 IN   |
|          | 37253289 | Hood - AG - 15 IN - U5475-900 - (Early models w/ Standard Hood)          |          | 48414110 | Agitator Assem. Comp. - 13 IN   |
|          | 37253299 | Hood - AG - 15 IN - U5475-900 - (Late models w/ Deluxe Hood)             | 22       | 40309034 | Bottom Plate / Duct Cover - 15 IN Labyrinth design (See Illustration) |
|          | 37253294 | Hood - AG - 15 IN - U5443-900  |          | 40309025 | Bottom Plate / Duct Cover - 13 IN (Incl. It. 19)                      |
|          | 37253297 | Hood - ABY - 15 IN - U5451-900   |          | 40309026 | Bottom Plate / Duct Cover - 15 IN (Incl. It. 19)                      |
|          | 37253298 | Hood - AG - 15 IN - U5469-910  | 23       | 39511004 | Litter Picker (2)   |
|          | 37253305 | Hood - ACL - 15 IN - U5397-900   | 24       | 21447121 | +*Screw Self Tapping  |
|          | 37253313 | Hood - ACF - 15 IN - U5449-940   | 25       | 13261AY  | * Rug Nozzle Rib Shoe   |
|          | 37253316 | Hood - AG - 15 IN - U5420-900  | 26       | 38528033 | Belt  |
|          | 37253306 | Hood - ABR - 15 IN - U5396-900   |          |          |   |
|          | 37253319 | Hood - MU - 15 IN - U5447-900  |          |          |   |
|          | 37253343 | Hood - ADK - 15 IN - U5450-900   |          |          |   |
|          | N/A      | Hood - AAY - 15 IN - U5452-900   |          |          |   |
|          | 37253350 | Hood - ADX - 15 IN - U5456-900, U5460-900                                |          |          |   |
|          | 37253360 | Hood - ADY - 15 IN - U5457-900   |          |          |   |
|          | 37253383 | Hood - AFE - 15 IN - U5452-900 (Models produced after 5/01)              |          |          |   |
|          | 37253363 | Hood - ACL - 15 IN - U5435-900   |          |          |   |
|          | 37253387 | Hood - ABR - 15 IN - U5398-900   |          |          |   |
|          | 37253391 | Hood - ADX - 15 IN - U5454-900, U5446-900,                               |          |          |   |
|          | 37253388 | Hood - AG - 15 IN - U5477-900  |          |          |   |
| 2        | 43431005 | Angled Hose Conn. Assem. w/ Hose Door (models w/o nozzle hose extension) |          |          |   |
| 3        | 38458043 | Handle Release Lever   |          |          |   |
| 4        | 40309004 | Nozzle Adj. Lever / Cam Assembly (Inc. item 13)                          |          |          |   |
| 5        | 21447072 | * Screw Self Tapping   |          |          |   |
| 6        | 36131094 | Trunnion Cover - ABE   |          |          |   |
| 7        | 36171044 | Hose Clamp - ABE   |          |          |   |
| 8        | 160017   | * Retaining Ring   |          |          |   |
| 9        | 38522077 | Rear Wheel   |          |          |   |
|          | 43244005 | Rear Wheel - U5452-900   |          |          |   |
| 10       | 32434008 | Rear Axle - AAX  |          |          |   |

\* Model U5395-960 is identical to model U5395-900 except for addition of deluxe hose and nozzle hose extension.

\*\* Model U5395-940 is identical to model U5395-900 except for additional 6 Throw-away bags.

\*\*\* Model U5443-940 and U5445-940 are identical to models U5443-940 and U5445-940 respectively except for additional 6 Throw-away bags.

\*\*\*\* Model U5443-960 is identical to model U5443-900 except for the addition of the extra 20' hose.

\*\*\*\*\* U5396-960 is identical to model U5396-900 except for the addition of the extra 20' hose.

\*\*\*\*\* Model U5475-960 is identical to model U5475-900 except for 31' cord and addition of 20' hose.

\*\*\*\*\*Model U5398-990 is identical to model U5398-900 except for the addition of a turbine powered hand tool.