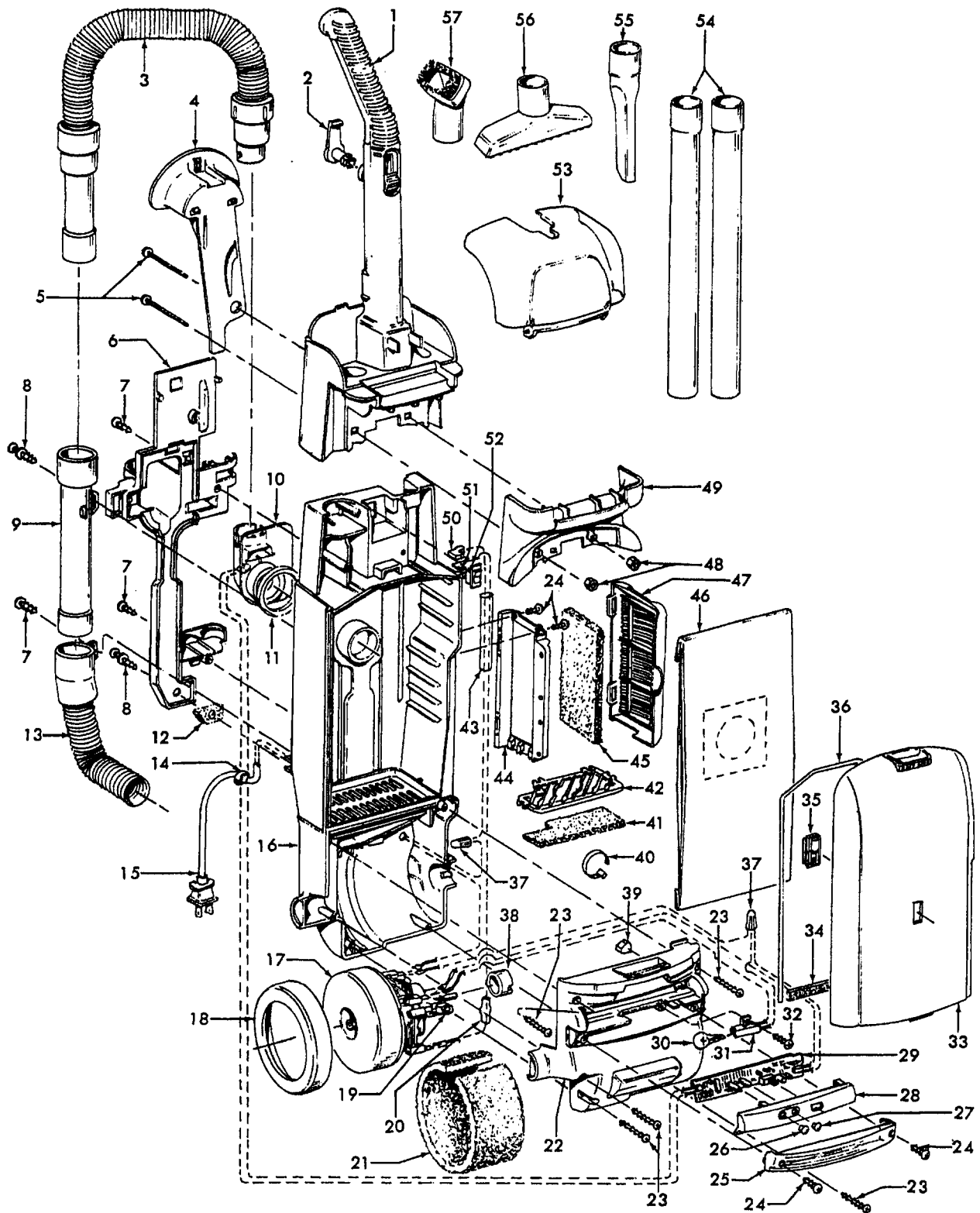


WindTunnel

Models U5443-900, * U5443-940, ** U5443-960, U5445-900,
* U5445-940, U5447-900, U5449-940, U5450-900, U5451-900, U5460-900
U5461-900, U5463-960, U5465-900, U5465-960, U5465-970, ****U5465-990
U5457-900

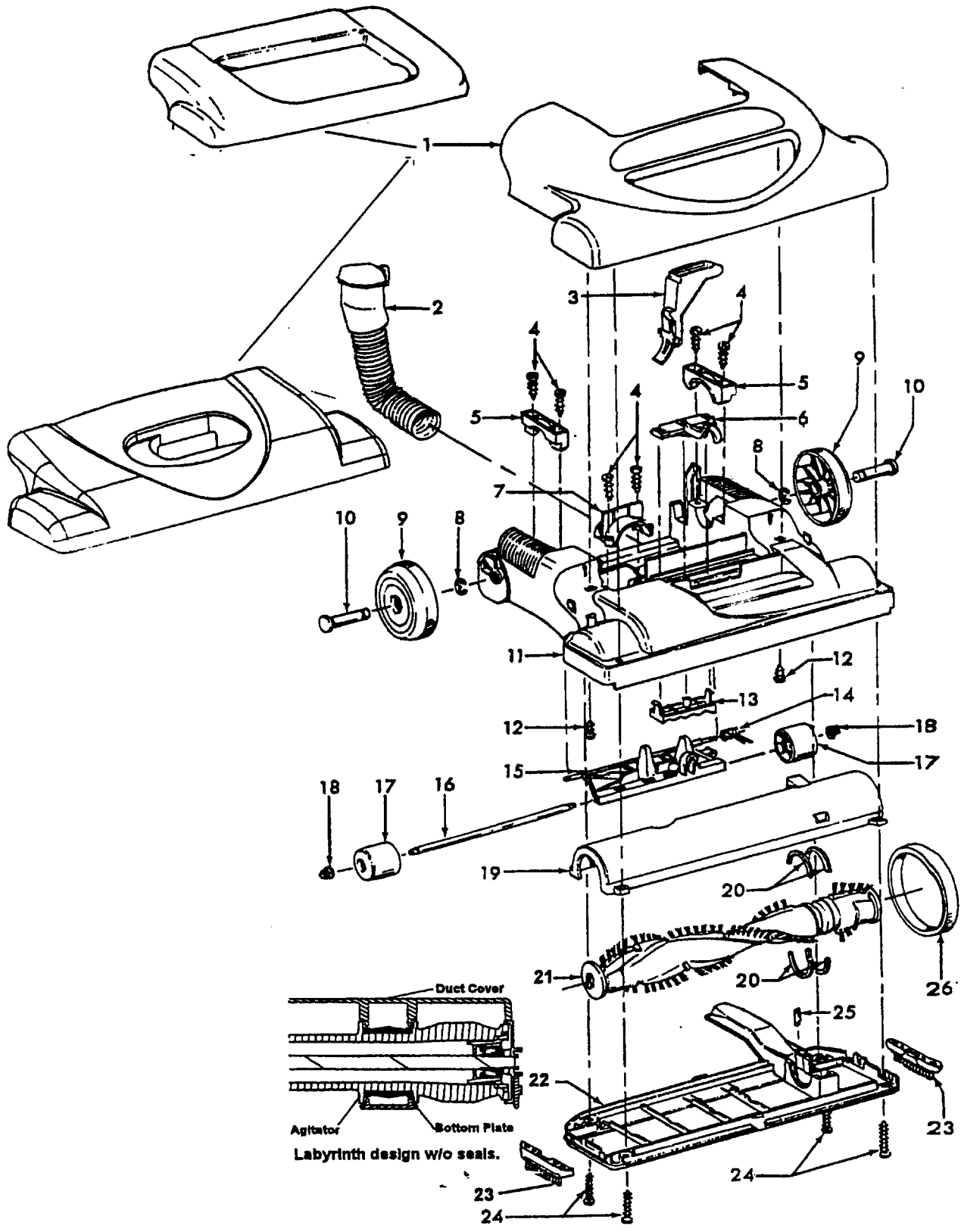
WindTunnel TurboPOWER 6200

Model U5475-900, U5475-960, U5477-900



Ref. No.	Part No.	Description	Ref. No.	Part No.	Description
1	48663205	Upper Handle - ABE (Inc. it. 2, 49)	40	27479307	* Lead Wire Tie
2	3944201P	Cord Wrap	41	38765019	Secondary Filter
3	43434031	Hose Assembly Comp.	42	36426034	Secondary Filter Retainer
4	36433111	+ Hose Holder - Early Models	43	66655409	Protector Tube
	36433137	Hose Holder - Late Models - see note # 1	44	36426033	Filter Holder - ABE
5	40201149	Handle Hardware	45	38766007	Final Filter - 2 layer - U5443-900, U5445-900, U5449-940, U5460-900
6	36433120	Wand/Hose Holder - ABE		40110004	Final Filter - 3 layer - (Inc. two filters)
7	21447242	Screw Self Tapping	46	4010100Y	Throw-Away Bag (3 Pk)
8	23149002	Screw - U5463-960, U5465-900	47	37257221	Filter Grill - ABC
9	43457024	Hose Door Assembly	48	40201149	Handle Hardware
10	47823003	EDF Mic / Duct Assembly	49 - 51		Not Available
11	31178017	Hose Connector Gasket	52	28161063	Switch - 3/16" Terminals
12	34311004	Wire Opening Seal		28161067	Switch - 1/4" Terminals
13	43431005	Angled Hose Connection Assem.	53	37257260	Tool Door - AAN
14	27482230	Strain Relief	54	38634078	Extension Tube - AG
15	46383322	Cord -35' - 3/16" Terminal	55	38617027	Crevice Tool - ABR
	46383334	Cord - 35' - 1/4" Terminal (See note 3)	56	3861401E	Furniture Nozzle - ABR
16	40309040	Bag Housing - Dlx. - ABE	57	43414162	Dusting Brush - ABR
	37255029	Bag Housing - Dlx. - ABE- U5477-900	Items Not Illustrated		
17	43576188	Motor Assembly	49129010		Turbine Hand Tool - U5460-900, U5457-900 (P-357)
	43566016	Motor Suction Fan		43414142	Floor Brush - AG - U5465-960, U5475-900
	33426001	Fan Nut		43434042	Hose Assem. Comp. - (Extra), U5461-900
18	36322035	Motor Mount - Large			U5465-900, U5465-960, U5475-900 - (See Note 2), U5443-960, U5449-940, U5460-900, U5475-960
19	41311017	Motor Brush Assembly (2)		57363003	Air Freshener Tab - U5465-960
20	47534027	Thermal Protector - 3/16" Terminal		12910	Cord Clamp
	28382087	Thermal Prot. - 1/4" Terminal (See note 3)		51632003	+ Filter Door Label
	51873001	Thermal Protector Label		51639143	Label Filter Door
21		Not Applicable		51869050	Warning Label
22	37196009	Motor Cover		27352032	Snap in Lens - Amber
	37196158	Motor Cover - U5477-900		49811058	Lead Wire Blue - (From cord to switch)
23	21447230	* Screw Self Tapping		56511A96	Owners Manual - U5460-900
24	21447228	* Screw Self Tapping		56511A35	Owners Manual
25	39383107	Lens - CP		56511A73	Owners Manual - U5475-900 (after 07/23/99)
26	27352030	Snap-In Lens - Red		56511A67	Owner Manual - U5461-900, U5447-900, U5450-900, U5457-900
27	27352031	Snap-In Lens - Green		56511A90	Owner Manual - U5477-900
28	42258001	EDF Cover - models w/ red and green light		58185185	Cleaner Carton - U5443-900, U5445-900, U5465-900, U5465-970, U5449-940
	42258002	EDF Cover - models w/ red, green and amber light		58185212	+ Cleaner Carton - U5461-900, U5447-900, U5450-900, U5460-900, U5457-900
29	46851031	EDF PCB - w/ red and green lights		N/A	Cleaner Carton - U5465-960, U5475-900
	46851032	EDF PCB - w/ red, green, and amber lights	* Model U5443-940 and U5445-940 are identical to models U5443-940 and U5445-900 respectively except for an additional 6 Throw-away bags.		
30	27313101	Dirt Finder Lamp	** Model U5443-960 is identical to model U5443-900 except for the addition of a 20' hose.		
31	47173024	Wiring Harness - 3/16" Terminals	*** Model U5475-960 is identical to model U5475-900 except for 31' cord and addition of a 20' hose.		
	47173028	Wiring Harn. - 1/4" Terminals (See note 3)	****Model U5465-990 is a bonus pack which includes a U5465-900 plus six additional Y bags, one additional final filter, and two extra belts.		
32	21447072	* Screw Self Tapping	Note #1 - The late model tool holder was revised by adding supporting ribs to the hooks. To use the late model tool holder on an early model unit requires a new tool door. Ref: Service Bulletin 2-99		
33	These bag doors include items 34 & 36		Note #2 - The extra hose assembly is not packed with models U5475-900 produced after 07/23/99.		
	42255033	Bag Door - ABY - U5445-900, U5451-900, U5465-900, U5465-960 (Also Inc. item 35)	Note #3 - Models produced after June 2000 incorporated 14 gauge wiring and associated electrical components with 1/4" terminals. Ref. Service Bulletin 4-00		
	42255063	Bag Door - ADX - U5461-900, U5463-900			
	42255053	Bag Door - ABY - Common - U5443-900, U5465-970, U5475-970			
	42255082	Bag Door - ACF - U5449-940			
	42255088	Bag Door - MU - U5447-900			
	42255098	Bag Door - ADK - U5450-900			
	42255096	Bag Door - Dk. Spruce - U5457-900			
	42255100	Bag Door - ADX - U5460-900 (Models after June 2001)			
	Models with Amber performance light - no bag check ind.				
	42255092	Bag Door - ADX - U5460-900 (Models before June 2001)			
	42255087	Bag Door - ABY - U5451-900, U5465-900			
	42255075	Bag Door - ABY - U5445-900			
	42255086	Bag Door - AG - U5475-900			
	42255108	Bag Door - AG - U5477-900			
34	34123050	Bag Door Gasket			
35	51151010	Indicator Assem. (Early Models)			
36	38781057	Bag Door Gasket			
37	27618508	* Wire Connector			
38	36322030	Motor Mount - Small			
39	34131019	Wire Opening Plug			

Main Body and related components:
 U5443-900, U5443-940, U5443-960, U5445-900, U5445-940, U5447-900,
 U5449-900, U5451-900, U5475-900, U5477-900- (P.325)
 U5461-900, U5463-960, U5465-900, U5465-960, U5465-970 - (P.329)



**Models U5344-900, U5347-900, U5347-960, U5348-900, U5349-900, U5361-900,
U5363-900, U5365-900,
U5409-900, U5409-955, U5409-990, U5453-900, U5461-900, U5462-900,
U5463-960, U5464-900, U5465-900, U5465-960, U5465-970, U5465-990**

Ref. No.	Part No.	Description
1	37253284	+ Deluxe Hood - ABY - U5465- 900, U5465-960, U5465-990
	37253293	Deluxe Hood - AG -U5465-970
	37253308	Deluxe Hood - ACL - U5463-960
	37253322	Deluxe Hood - ACL - U5461-900
	37253352	Standard Hood - ADX -U5409-900, U5409-955, U5409-990
	37253364	Standard Hood - ADK - U5453-900 U5464-900
	37253386	Standard Hood - ADS - U5462-900
	37253394	Deluxe Hood - AFS - U5344-900
	37253399	Deluxe Hood - AFT - U5347-900, U5347-960
	37253A01	Deluxe Hood - ACU - U5348-900
	37253A02	Deluxe Hood - AG - U5349-900
	37253A26	Deluxe Hood - WW - U5365-900
	37253A22	Std. Hood - AFS - U5361-900
	37253A23	Std. Hood - AFT - U5363-900
2	43431005	Angled Hose Conn. Assem.
3	38458043	Handle Release Lever
4	21447072	* Screw Self Tapping
5	36131094	Trunnion Cover - ABE
6	40309004	Nozzle Adjustment Cam Assembly (Includes item 13)
7	36171044	Hose Clamp - ABE
8	160017--	* Retaining Ring
9	38522077	Rear Wheel
10	32434008	Rear Axle - AAX
	32434012	Rear Axle - U5365-900
11	37242123	Main Body - ABE
12	21447228	* Screw Self Tapping
13	40309004	Nozzle Adj. Cam Assembly (Includes item 6)
14	38355010	Torsion Spring
15	36432027	Front Wheel Support
	43248057	Front Wheel Assembly - (Includes 15, 16, 17, 18)
16	32541003	Wheel Shaft
17	38521004	Front Wheel
18	36131056	* Wheel Retainer
19	40309034	Bottom Plate / Duct Cover Assem. Labyrinth Design (Inc. item 22)
	40309026	Bottom Plate / Duct Cover Assem. (Inc. item 22)
20	38781053	* Agitator Pulley Seal
21	48414115	Agitator Assem. Comp. - 15 IN (For use on both Labyrinth and Standard Designs)
22	40309034	Bottom Plate / Duct Cover Assembly - Labyrinth design (Inc. item 19)
	40309026	Bottom Plate / Duct Cover- Assembly (Includes item 19)

Ref. No.	Part No.	Description
23	39511004 36235088	Litter Picker (2) Furniture Guard Filler (2) U5344-900, U5347-900, U5347-960, U5348-900, U5349-900
24	21447121	+ Screw Self Tapping
25	13261AY	* Rug Nozzle Rib Shoe
26	38528033	Belt