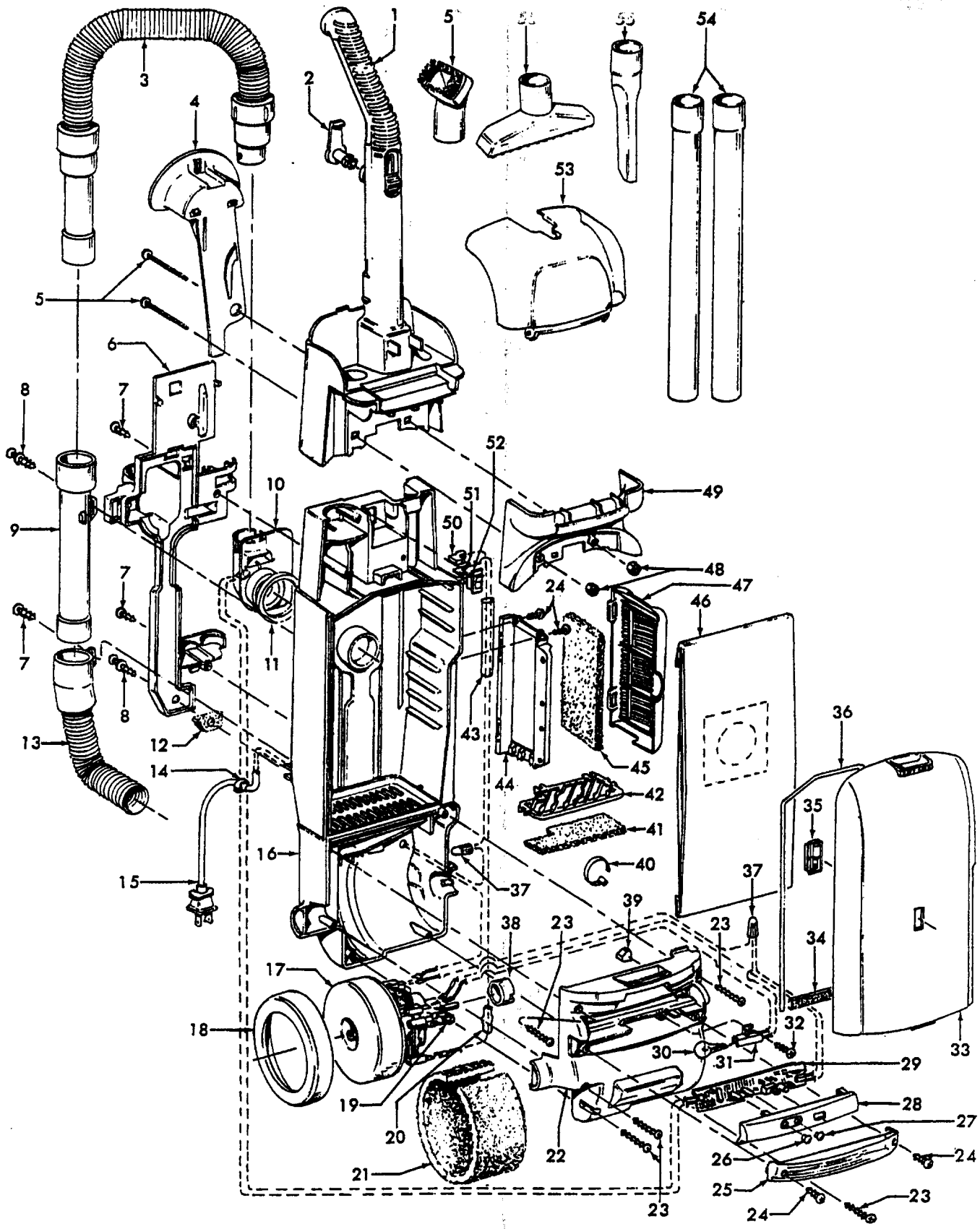


**Models U5344-900, U5347-900, U5347-960, U5348-900, U5349-900, U5361-900,
U5363-900, U5365-900,
U5409-900, U5409-955, U5409-990, U5453-900, U5461-900, U5462-900,
U5463-960, U5464-900, U5465-900, U5465-960, U5465-970, U5465-990**

Ref. No.	Part No.	Description
1	37253284	+ Deluxe Hood - ABY - U5465- 900, U5465-960, U5465-990
	37253293	Deluxe Hood - AG -U5465-970
	37253308	Deluxe Hood - ACL - U5463-960
	37253322	Deluxe Hood - ACL - U5461-900
	37253352	Standard Hood - ADX -U5409-900, U5409-955, U5409-990
	37253364	Standard Hood - ADK - U5453-900 U5464-900
	37253386	Standard Hood - ADS - U5462-900
	37253394	Deluxe Hood - AFS - U5344-900
	37253399	Deluxe Hood - AFT - U5347-900, U5347-960
	37253A01	Deluxe Hood - ACU - U5348-900
	37253A02	Deluxe Hood - AG - U5349-900
	37253A26	Deluxe Hood - WW - U5365-900
	37253A22	Std. Hood - AFS - U5361-900
	37253A23	Std. Hood - AFT - U5363-900
2	43431005	Angled Hose Conn. Assem.
3	38458043	Handle Release Lever
4	21447072	* Screw Self Tapping
5	36131094	Trunnion Cover - ABE
6	40309004	Nozzle Adjustment Cam Assembly (Includes item 13)
7	36171044	Hose Clamp - ABE
8	160017--	* Retaining Ring
9	38522077	Rear Wheel
10	32434008	Rear Axle - AAX
	32434012	Rear Axle - U5365-900
11	37242123	Main Body - ABE
12	21447228	* Screw Self Tapping
13	40309004	Nozzle Adj. Cam Assembly (Includes item 6)
14	38355010	Torsion Spring
15	36432027	Front Wheel Support
	43248057	Front Wheel Assembly - (Includes 15, 16, 17, 18)
16	32541003	Wheel Shaft
17	38521004	Front Wheel
18	36131056	* Wheel Retainer
19	40309034	Bottom Plate / Duct Cover Assem. Labyrinth Design (Inc. item 22)
	40309026	Bottom Plate / Duct Cover Assem. (Inc. item 22)
20	38781053	* Agitator Pulley Seal
21	48414115	Agitator Assem. Comp. - 15 IN (For use on both Labyrinth and Standard Designs)
22	40309034	Bottom Plate / Duct Cover Assembly - Labyrinth design (Inc. item 19)
	40309026	Bottom Plate / Duct Cover- Assembly (Includes item 19)

Ref. No.	Part No.	Description
23	39511004	Litter Picker (2)
	36235088	Furniture Guard Filler (2) U5344-900, U5347-900, U5347-960, U5348-900, U5349-900
24	21447121	+ Screw Self Tapping
25	13261AY	* Rug Nozzle Rib Shoe
26	38528033	Belt



Ref. No.	Part No.	Description	Ref. No.	Part No.	Description
1	48663205	Upper Handle - ABE (Inc. it. 2, 49)		42255103	Bag Hsg. Door - ADS - U5462-900,
2	3944201P	Cord Wrap		42255063	Bag Hsg. Door - ADX - U5454-900
3	43434031	Hose Assembly Comp.	34	34123050	Bag Door Gasket
4	36433137	Hose Holder	35	51151010	Indicator Assembly - U5453-900, U5454-900, U5458-900
5	40201149	Handle Hardware	36	38781057	Bag Door Gasket
6	36433120	Wand/Hose Holder - ABE	37	27618508	* Wire Connector
7	21447242	Screw Self Tapping	38	36322030	Motor Mount - Small
8	23149002	Screw	39	34131019	Wire Opening Plug
9	43457024	Hose Door Assembly	40	27479307	* Lead Wire Tie
10	47823003	EDF Mic / Duct Assembly	41	38765019	Secondary Filter
11	31178017	Hose Connector Gasket	42	36426034	Secondary Filter Retainer
12	34311004	Wire Opening Seal	43	66655409	Protector Tube
13	43431005	Angled Hose Connection Assembly	44	36426033	Filter Holder - ABE
14	27482230	Strain Relief	45	40110004	Final Filter - (Inc. 2 filters)
15	46383322	Cord - 35' - w/ 3/16" terminals	46	4010100Y	Throw-Away Bag (3 Pk)
	46383334	Cord - 35' - w/ 1/4" terminals (See note 1)	47	37257221	Filter Grill - ABC
16	40309040	Bag Housing - Dlx. - ABE	48	40201149	Handle Hardware
	37255029	Bag Housing - Dlx. - U5462-900 U5464-900	49-51		Not Available
17	43576188	Motor Assembly	52	N/A	Switch - 3/16" terminals(Use 40309033 Switch Kit)
	43566016	Motor Suction Fan		28161067	Switch - 1/4" terminals (see note 1)
	33426001	Fan Nut	53	37257260	Tool Door - AAN
18	36322035	Motor Mount - Large	54	38634078	Extension Tube - AG
19	41311017	Motor Brush Assembly (2)	55	38617027	Crevice Tool - ABR
20	47534027	Thermal Protector - w/ 3/16" terminal	56	3861401E	Furniture Nozzle - ABR
	28382087	Thermal Protector- w/ 1/4" terminal (see note 1)	57	43414162	Dusting Brush - ABR
	51873001	Thermal Protector Label	Items Not Illustrated		
21		Not Applicable		43434042	Hose Assem. Comp. - (Extra - 20')
22	37196009	Motor Cover		49811072	Lead Wire - Blue (from cord to switch) - 1/4" terminals (see note 1)
	37196158	Motor Cover-U5454-900, U5458-900, U5462-900, U5464-900		12910	Cord Clamp
23	21447230	* Screw Self Tapping		27352032	Snap in Lens - Amber - U5452-900
24	21447228	* Screw Self Tapping		37911080	Handle Cap
25	39383107	Lens - CP		40200013	Turbine Driven Hand Tool - Sapphire (P.357) U5454-900, U5456-900, U5458-900, U5462-900, U5464-900
26	27352030	Snap-In Lens - Red		56511A90	Owner Manual - U5452-900
27	27352031	Snap-In Lens - Green		56511A67	Owner Manual - U5439-900, U5454-900, U5453-900, U5456-900, U5458-900
28	42258002	EDF Cover - U5452-900		56511A96	Owner Manual - U5462-900 U5464-900
	42258001	EDF Cover - U5439-900, U5453-900, U5454-900, U5456-900, U5458-900, U5462-900, U5464-900		58185185	Cleaner Carton - U5452-900
29	46851032	EDF PC Board - U5452-900		58185212	+ Cleaner Carton - U5439-900, U5453-900, U5454-900, U5456-900, U5462-900
	46851031	EDF PC Board - (see note 2) U5439-900, U5453-900, U5454-900, U5456-900, U5458-900, U5462-900, U5464-900	Main body and related components: U5439-900, U5452-900, U5454-900, U5456-900 (P.325) U5453-900, U5462-900, U5464-900 (P.329)		
30	27313101	Dirt Finder Lamp	Note 1 - Models produced after June 2000 incorporated 14 gauge wiring and associated electrical components with 1/4" terminals. Ref. service bulletin 4-00. U5439-900 and U5456-900 were produced with 1/4" components only.		
31	47173024	Wiring Harness - w/ 3/16" terminals	Note 2 - Some models produced after January 2003 incorporated the 46851032 board with the amber light blacked out and pressure tube omitted.		
	47173028	Wiring Harness - w/ 1/4" terminals (see note 1)			
32	21447072	* Screw Self Tapping			
33		Note: All Bag Hsg. Doors include items 34 & 36			
	42255087	Bag Hsg. Door - Common			
	42255098	Bag Hsg. Door - ADK - U5456-900, U5458-900			
	42255099	Bag Hsg. Door - ADS - U5439-900			
	42255102	Bag Hsg. Door - AFE - U5452-900			
	42255098	Bag Hsg. Door - ADK - U5453-900 U5464-900			