

Self Propelled - Ultra
Self Propelled - Premium w/ EDF

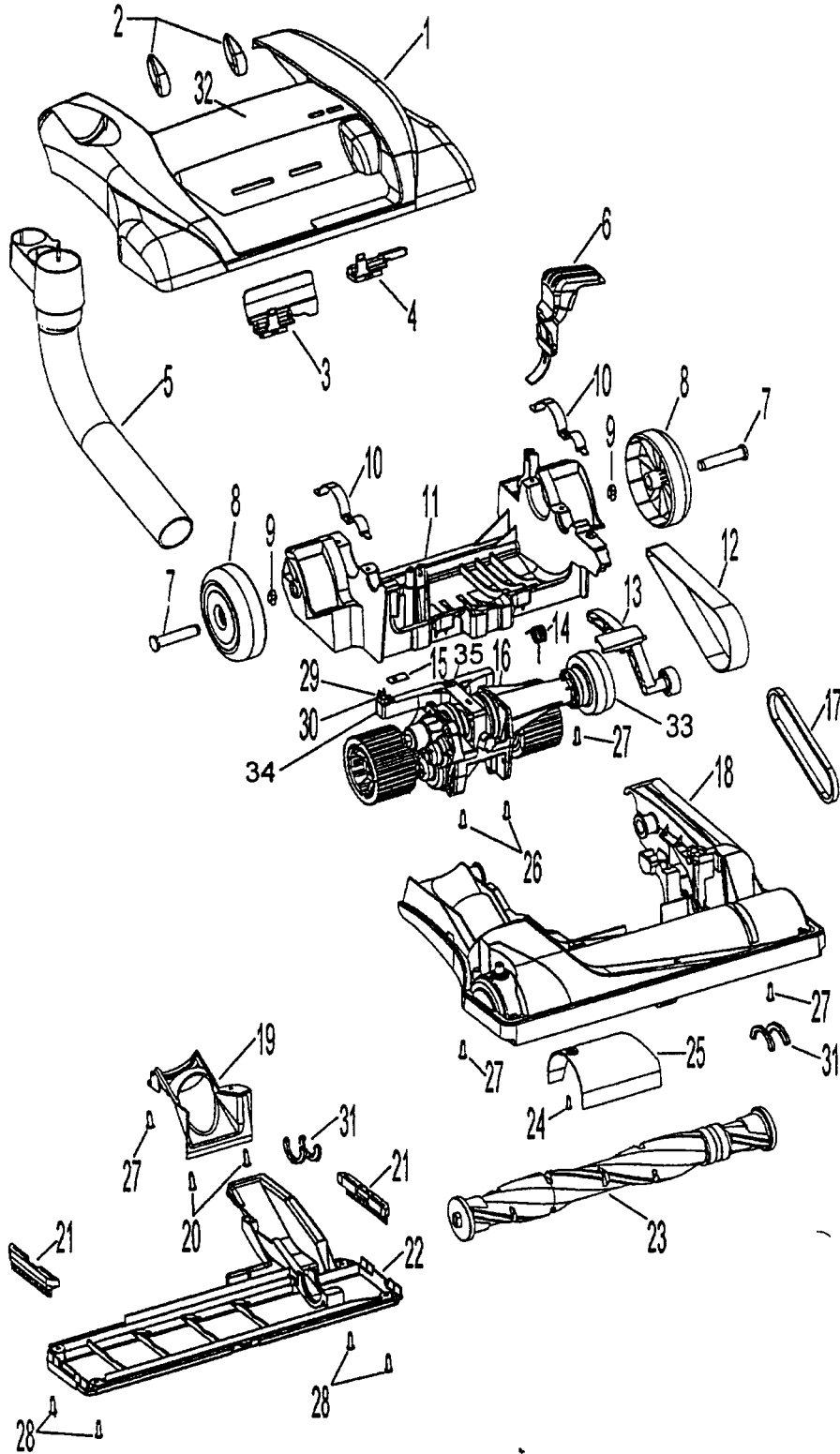
Model U6423-900, U6425-900, U6425-920, U6473-900
Model U6431-900, U6441-900, **U6441-940, U6445-900, U6445-920
U6449-900, U6450-900, U6451-900, *U6451-960, U6455-900, U6455-960,
U6458-900, U6470-900, U6470-910, U6471-900

Farrington S/P W/T w/ onboard Turbine Tool

Model U6429-900

Self Propelled WindTunnel w/ onboard Turbine Tool

Model U6430-900, U6432-900, U6436-900, U6439-900, U6433-900,
U6435-900, U6437-900, U6446-900, U6459-900, U6460-900



Self Propelled - Ultra
 Self Propelled - Premium w/ EDF

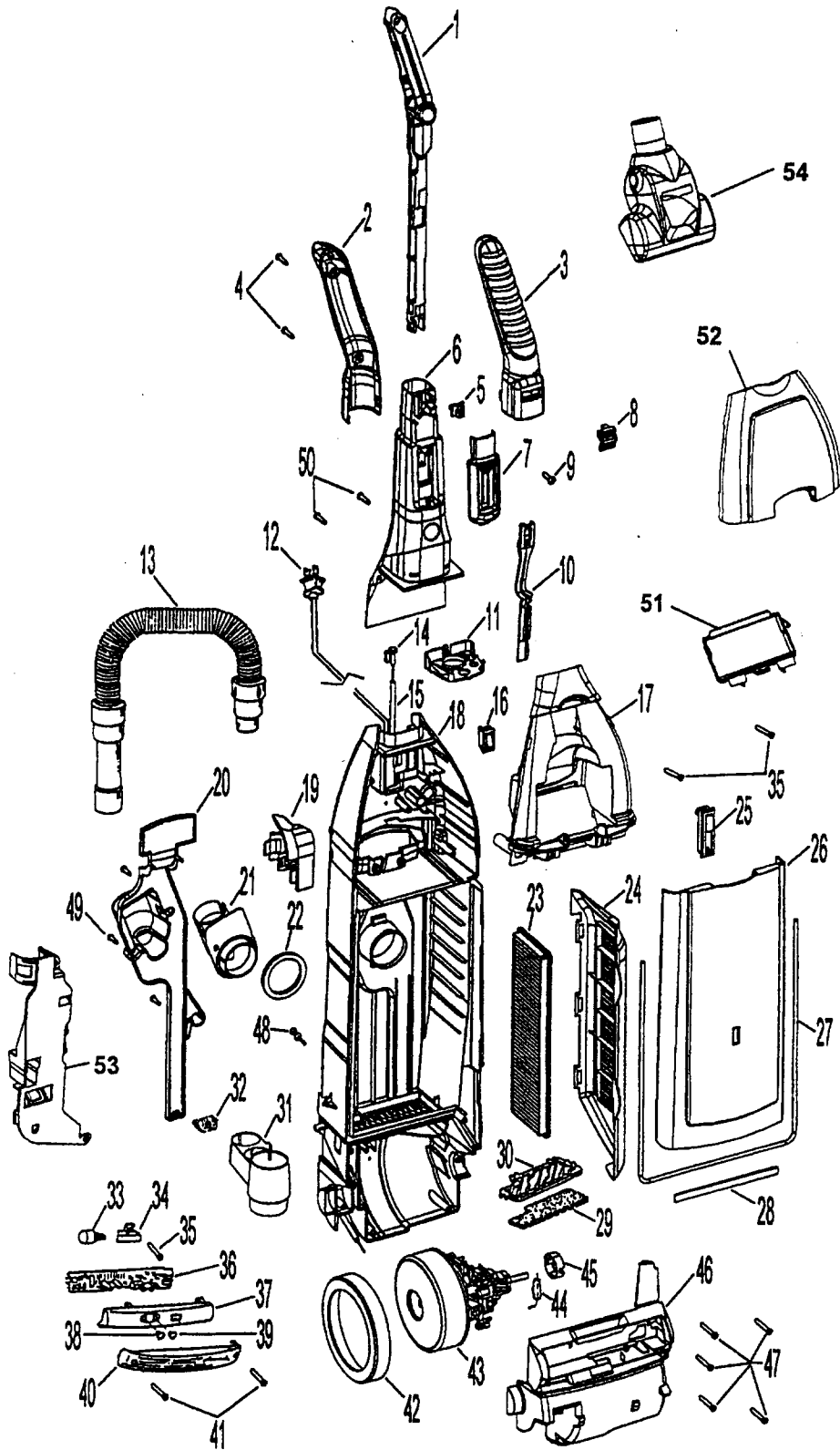
Model U6423-900, U6425-900, U6425-920, U6473-900
 Model U6431-900, U6441-900, **U6441-940, U6445-900, U6445-920
 U6449-900, U6450-900, U6451-900, *U6451-960, U6455-900, U6455-960,
 U6458-900, U6470-900, U6470-910, U6471-900

Farrington S/P W/T w/ onboard Turbine Tool Model U6429-900
 Self Propelled WindTunnel w/ onboard Turbine Tool Model U6430-900, U6432-900, U6436-900, U6439-900, U6433-900,
 U6435-900, U6437-900, U6446-900, U6459-900, U6460-900

Ref. No.	Part No.	Description	Ref. No.	Part No.	Description
1	Note: Ail Hood Assembly's include It. 2,3 and 4.				
	37253301	Hood -ABM - U6425-900 ,U6425-920 U6430-900, U6435-900		37243014	Torsion Spring & 37243013 Duct Cover Nozzle)
	37253300	Hood - ACJ -U6445-900, U6445-920 U6451-900, U6458-900	19.	36172007	Agitator Housing - Late Models produced after 9/98 - (Incl. It. 31)
	37253302	Hood - AG - U6436-900, U6455-900, U6455-960, U6459-900	20.	21479446	Hose Clamp
	37253304	Hood - ACM - U6449-900	21.	39511004	* Screw - Hose Clamp
	37253309	Hood - ABY - U6423-900		39511008	Litter Picker
	37253317	Hood - ABR - U6441-900, U6450-900	22.	42245030	Litter Picker -U6430-900,U6432-900, U6435-900, U6446-900, U6439-900
	37253348	Hood - AAY - U6429-900 before 12/02, U6431-900	23.	48414069	Bottom plate (Inc. item 31)
	37253384	Hood - AFE - U6431-900 after 6/01, U6429-900 after 12/02	24.	21479446	Agitator Assembly Complete
	37253351	Hood - AEC - U6470-900, U6470-910	25.	37243026	* Screw
	37253359	Hood - AEF - U6446-900, U6437-900 U6460-900		37243013	+ Duct Cover Nozzle - Early - models produced 9/98 and earlier
	37253380	Hood - ACX - U6432-900, U6439-900	26.	21447242	Duct Cover Nozzle - Late - models produced after 9/98
	37253398	Hood - AFK - U6471-900	27.	21447228	Screw - Trans. to main body
	37253A24	Hood - AEX - U6433-900	28.	21447121	* Screw
	37253403	Hood - ADJ - U6473-900	29.	21751010	* Screw - Bottom plate
2.	38421094	Adjustment Knob (2)	30.	36128002	* Screw - Special
3.	38563026	Nozzle Adjustment Cam	31.	38781053	* Washer
4.	36143004	Idler Arm Lock	32.	52115209	* Agitator Pulley Seal
5.	41426150	Wand / Hose Holder		51438007	Hood Label - U6425-900
6.	38434021	Handle Release Lever - Models produced before February 2001		51438008	Hood Label - U6445-900, U6449-900, U6450-900, U6451-900, U6458-900, U6470-900
	38434023	Handle Release Lever - Models prod. February 2001 and later		51438012	+ Hood Label - U6455-900, U6455-960
7.	32434008	Rear Axle (2)		51438022	Hood Label - U6431-900
8.	43244005	Rear Wheel Assembly - Deluxe with rubber tread - (2)		52115213	Hood Label - U6431-900 after 6/01
	38522077	Rear Wheel		51438014	Hood Label - U6423-900
9.	160017	* Retaining Ring		51438021	Hood Label - U6446-900
10.	36131096	Trunnion Cover (2)		52115219	Hood Label - "12 Amp" - U6446-900
11.	37241150	+ Main Body - models produced before February 2001		52115220	Hood Label - U6429-900 after 12/02, U6430-900, U6435-900
	37241161	Main Body - models prod. February 2001 and after		51438021	Hood Label - U6432-900, U6433-900
12.	38528035	Flat Belt		51438023	U6439-900, U6473-900
13.	43241004	Idler Arm Assembly		52115222	Hood Label - U6470-910
	43241006	Idler Arm Pulley (Only)		52115223	Hood Label - U6459-900, U6436-900
14.	38356015	Torsion Spring - early models - models produced 5/98 and earlier	33.	38537013	Hood Label - U6441-900
	38356014	Torsion Spring - late models - models produced after 5/98		160031	Hood Label - U6429-900 before 12/02
15.	34125004	* Retainer - Control Cable	34.	43143046	Hood Label - U6471-900, U6437-900
	21447242	Screw - (2) - (Retainer mounting screws)	35.	013759-	Drive Pulley
16.	43124016	Power Drive Assembly		Items not Illustrated	* Nut for Pulley
17.	38528034	V Belt - Agitator		36131101	Actuator Arm
18.	42246136	+ Agitator Housing - Early Models produced 9/98 and earlier (Inc. items 24, 25, 31) (Use 37243014 Agltator Housing plus 38356014		38313037	E Clip
					Control Cable Support
					Spring - Between trans. & agit. hsg. - late models

* Model U6451-960 is similar to model U6451-900 except for additional (9) type Y Allergen Bags, (1) Crevice Tool, (1) Final Filter, (2) flat belts.

** Model U6441-940 is a model U6441-900 with a bonus hose.



Self Propelled WindTunnel w/ onboard Turbine Tool

**Model U6430-900, U6432-900, U6433-900,
U6435-900, U6436-900, U6437-900,
U6439-900, U6446-900, U6459-900
Model U6429-900**

Farrington S/P W/T w/ onboard Turbine Tool

Ref. No.	Part No.	Description	Ref. No.	Part No.	Description
1.	38512001	Grip Rod	38.	27352031	Snap in Lens - Green (Models w/EDF)
2.	39454068	Handle Grip - Back	39.	27352030	Snap in Lens - Red (Models w/EDF)
3.	39454062	Handle Grip - Front (Inc. item 5)	40.	39383100	Lens
4.	21447228	* Screw (2)	41.	21447228	* Screw
5.	36142002	Drive Control Pin	42.	36322035	Motor Mount - Large
6.	39466040	Upper Handle (Inc. items 7, 8, 10)	43.	43576191	Motor Assembly
7.	37258119	+ Switch Rod Pocket		43566016	Fan Assembly
8.	38421098	Switch Button		41311017	Motor Brush Assembly (2 required)
9.	21447242	Screw	44.	28382093	Thermal Protector
10.	38458051	Switch Rod	45.	36322030	Motor Mount - Small
11.	36923003	Rod Guide	46.	37195107	Motor Cover
12.	46383331	Attachment Cord Assembly - 35 ft.	47.	21447230	* Screw
13.	43434031	Hose Assembly	48.	23149001	Tapping Screw and Washer Assembly
14.	43211019	Control Cable	49.	21447242	Screw
15.	66661205	Control Cable Tube	50.	21447072	* Handle Screws
16.	28161067	Switch	51.	36433155	Tool Holder Cap
17.	36433153	Tool Holder	52.	37257250	Tool Door
18.	37255028	Bag Hsg. (Inc. items 15, 16, 48)	53.	36433154	Tool Rack - Rear
19.	36433136	Hose Holder - Upper	54.	40200013	Turbine Powered Hand Tool - (P - 357)
20.	37255010	Rear Cover		49129014	PHT - (P.357) U6429-900 models before 12/02. Models after 12/02 used 40200013
21.	47823004	EDF Duct / Mic Assembly	Items Not Illustrated		
22.	31178017	Hose Connector Gasket		3944201P	Cord Wrap - Upper
23.	40120101	Final Filter - HEPA		4010100Y	Throw Away Bag - 3 pk.
24.	38769004	Final Filter Grille		34131019	Wire Opening Plug
25.	51151010	Bag Indicator		21447242	Screw for Hose Holder (Item 19)
26.	Note: All bag doors include items 25, 27, 28			36131101	Control Cable Support
	37254169	Bag Door - AEF - U6446-900		49811074	Lead Wire White -(From cord to motor)
	37254167	Bag Door - ABM -U6430-900, U6435-900		36215028	Cord Protector
	37254188	Bag Door - ACX - U6432-900, U6439-900		36436014	+ Handle Sleeve (Inc. with item 6)
	37254180	Bag Door - AG - U6459-900	Tools		
	37254192	Bag Door-AFE-U6429-900 - before 12/02		43414162	Dusting Brush Assembly
	37254214	Bag Door - AAY - U6429-900 after 12/02		3861401E	Furniture Nozzle
	37254219	Bag Door - AEX - U6433-900		38617027	Crevice Tool
	37254217	Bag Door - AEF - U6437-900		38634078	Extension Tube (2)
	37254227	Bag Door - AG - U6436-900		43434042	Hose Assembly -Extra - 20' stretch U6446-900, U6459-900
27.	38781057	Bag Door Gasket	Packaging		
28.	34123050	Bag Door Gasket - Bottom		56511B22	Owner Manual - U6439-900
29.	38765019	Secondary Filter		58186039	+ Carton - w/o Point of Sale Label - U6446-900
30.	36426034	Secondary Filter Retainer		58164022	Carton - w/o Point of Sale Label - U6430-900, U6433-900, U6435-900, U6432-900, U6459-900
31.	41426150	Wand / Hose Holder (Inc. hose)		56511B28	Owner Manual U6459-900
32.	34131005	Wire Opening Seal		56511B34	Owner Manual U6429-900 models before 12/02. Models after 12/02 used 56511B22
33.	27313101	Bulb		56511B80	Owner Manual - U6437-900
34.	47173028	Wiring Harness - U6433-900, U6439-900, U6446-900, U6459-900			
	47173027	Wiring Harness - U6429-900, U6430-900, U6435-900			
35.	21447072	* Screw			
36.	46851031	PCB - U6433-900, U6446-900, U6459-900, U6437-900, U6439-900			
37.	37944011	EDF Cover - U6433-900, U6439-900, U6446-900, U6437-900			
	37944012	Panel - U6430-900,U6432-900 U6435-900, U6436-900			