

Celebrity

Models S3001, S3001-001

Ref. No.	Part No.	Description
1	170367JM	+ Cord Reel Housing - S3001
	37215065	+ Cord Reel Housing - JM - S3001 -001
	170334AG	+ Gasket
3	19765	+* Screw
4	46831015	Cord Reel Comp.
5	46383303	Cord - S3001
	46363146	+ Attach. Cord - S3001 -001
6	170368JM	+ Plug Insert
7	47348007	Brush Block Comp.
8	34165002	+ Brush Block Insulator (2)
9	47938	* Pin
10	27482227	Strain Relief (2)
11	43123AV	+* Ring
12	12619	+* Screw (4)
13	170332BZ	Secondary Filter
14	161881	+ Terminal Lock (2)
15	17001FW	* Screw (4)
16	37196030	+ Motor Cover - JM
17	48969	* Wire Nut (2)
18	21652003	+ Hex Nut (3)
19	21447014	* Screw (2)
20	170331JJ	+ Tubing (Cover)
21	170359JJ	+ Rear Rest Pad
	170359FP	+ Rear Rest Pad
22	160108PH	+ Wheel (2)
23	161448AG	+ Tire Tread (2)
24	160017	* Lock Ring (2)
25	169242	Wheel Cover (2)
26	43177001	+ Motor Comp.
27	169294	Motor Mount - Lower
28	170374JM	Blower Valve
29	170339	+ Spring
30	41421129	Bottom Pan Comp. - S3001
	41421026	+ Bottom Pan Comp. - ET - S3001 -001
31	23737202	Caster Wheel Assm.
32	31721004	+ Spacer (3)
33	31194005	+ Muffler
34	169293	Motor Mount - Upper
35	42213033	+ Intermediate Shell Comp. - S3001
	42213034	+ Intermediate Shell Comp. - ET - S3001 -001
36	170358AG	+ Bag Connector Collar
37	39457006	+ Handle - S3001 -001
38	170328	+ Tube - Bag Collar
39	48512FW	+ Latch Link Spring
40	16439JJ	+ Shell Cover Latch
	16439JX	+ Shell Cover Latch
41	166735EF	+ Screw (2)

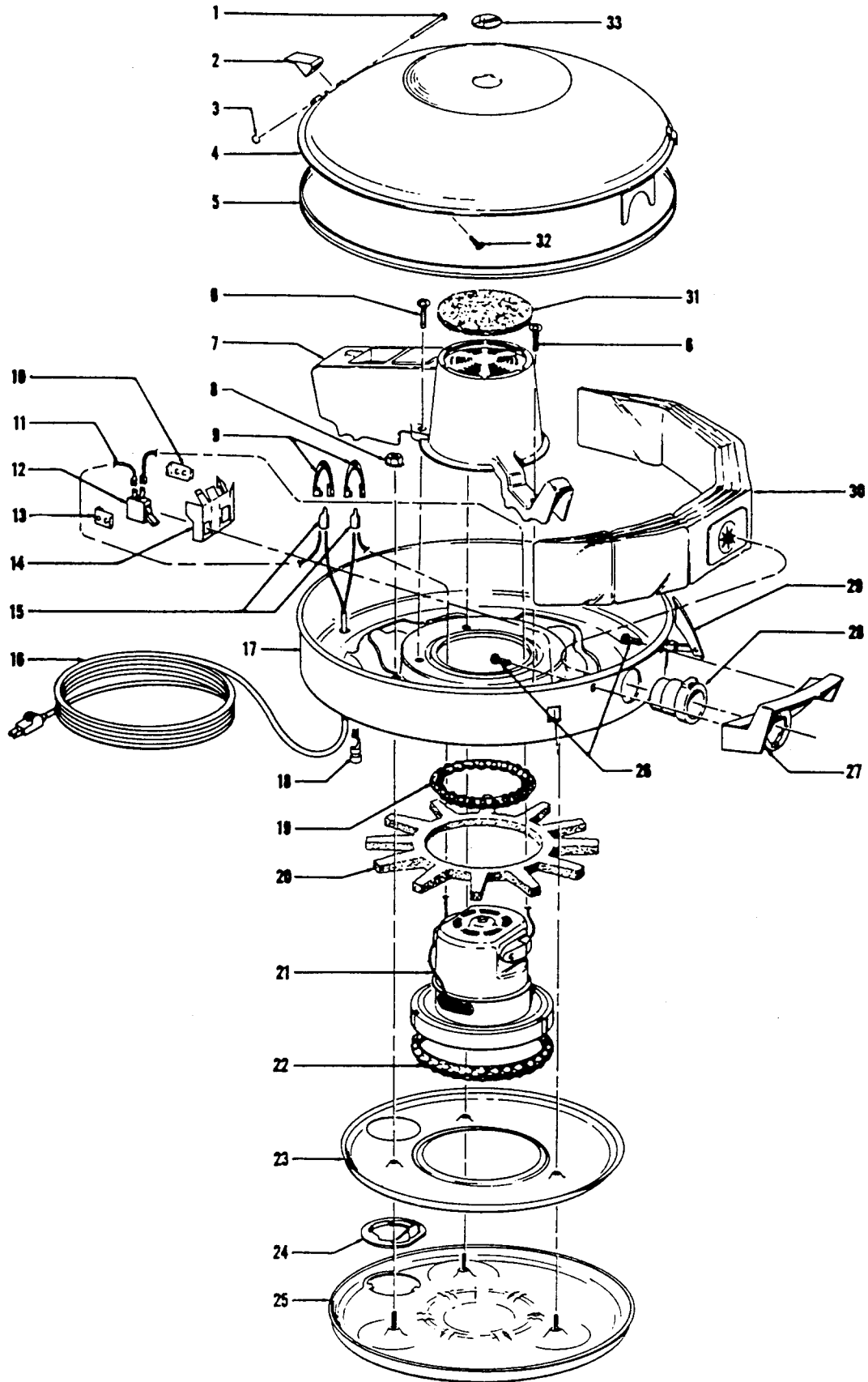
Ref. No.	Part No.	Description
42	4010009H	Throw Away Bag - (3 Pk.)
43	37911001	+ Vacuum Control Panel - S3001
	37911003	+ Vacuum Control Panel - S3001-001
44	21479229	Screw (Control Panel) (5)
45	21447003	* Screw
46	170361JM	+ Furniture Guard - S3001 -001
47	42211033	+ Upper Shell - S3001
	42211015	+ Upper Shell - JW - S3001-001
48	170337	+ Spring
49	32172002	Bag Indicator Seal
50	51151002	Full Bag Indicator Comp.
51	170344HE	+ Cam (2)
52	170345DN	+ Vacuum Control Button (Min.) - S3001
	170345AG	+ Vacuum Control Button (Min.) - S3001 -001
53	38422001	+ Vacuum Control Button (Med.) - S3001
	38422002	+ Vacuum Control Button (Med.) - S3001 -001
54	38422006	+ Vacuum Control Button (Max.) - S3001
	38422007	+ Vacuum Control Button (Max.) - S3001 -001
55	47538006	Switch Assm. Comp.
56	162961	Insulating Pod (Pigtail) (2)
57	163055	* Terminal (Pigtail) (2)
58	38421017	+ Switch Button
59	170370DL	+ Control Panel Cover
	170370JM	+ Control Panel Cover
60	51481005	+ Control Panel
61	46312001	+ Pigtail Cord
62	46831076	Commutator
63	19999	+ Ratchet
64	38331004	+ Detent Spring
65	170343AY	+ Cord Reel Bracket
66	51661008	+ Medallion

PACKAGING MATERIAL

58185091	+ Carton
58286001	+ Top Support
58343002	+ Bottom Support
56513004	+ Owner Manual

ITEMS NOT ILLUSTRATED

170351AW	+ Hinge Leaf Upper (Upper Shell)
----------	----------------------------------



Ref. No.	Part No.	Description
1	47938	Pin
2	170362JM	Cord Clip
3	48123	+* Ring
4	42211161	+ Upper Shell - EW
	42211059	+ Upper Shell - EW - S3159
	42211048	+ Upper Shell - JX - S3167
5-	170361JM	+ Furniture Guard
6	17001FW	* Screw (3)
7	170377JM	+ Motor Cover
8	21652003	+ Nut - Hex (3)
9	161881	+ Terminal Lock (2)
10	13312	Switch Retaining Clamp (Metal)
	36131003	Switch Cover - R.H. (Plastic)
11	170333	+ Lead Wire - White
12	12971	Switch
13	13313	Switch Retaining Clamp (Metal)
	36131002	Switch Cover - L.H. (Plastic)
14	34353001	Switch Insulation
15	48969	* Wire Nut (2)
16	46363195	Cord
17	42213038	+ Intermediate Shell - JJ
	42213040	+ Intermediate Shell - JR
18	27482227	Strain Relief Bushing
	27482120	Strain Relief Bushing - S3005-001
19	169293	Motor Mount - Upper
20	31194005	+ Muffler

Ref. No.	Part No.	Description
21	43177008	+ Motor - (P - 39)
22	169294	Motor Mount - Lower
23	37215097	+ Intake Pan
24	170382JM	+ Blower Adapter
25	41421189	Bottom Pan - JR - S3159
	41421122	Bottom Pan - JJ
26	166735EF	+ Screw (2)
27	39457006	+ Handle
28	170352AG	Bag Collar Connector
29	16439JX	+ Shell Cover Latch
30	4010009H	Throw Away Bag (3 Pk.)
31	170332BZ	Secondary Filter
32	13533	+* Screw (Cord Clip)
33	51661008	+ Medallion

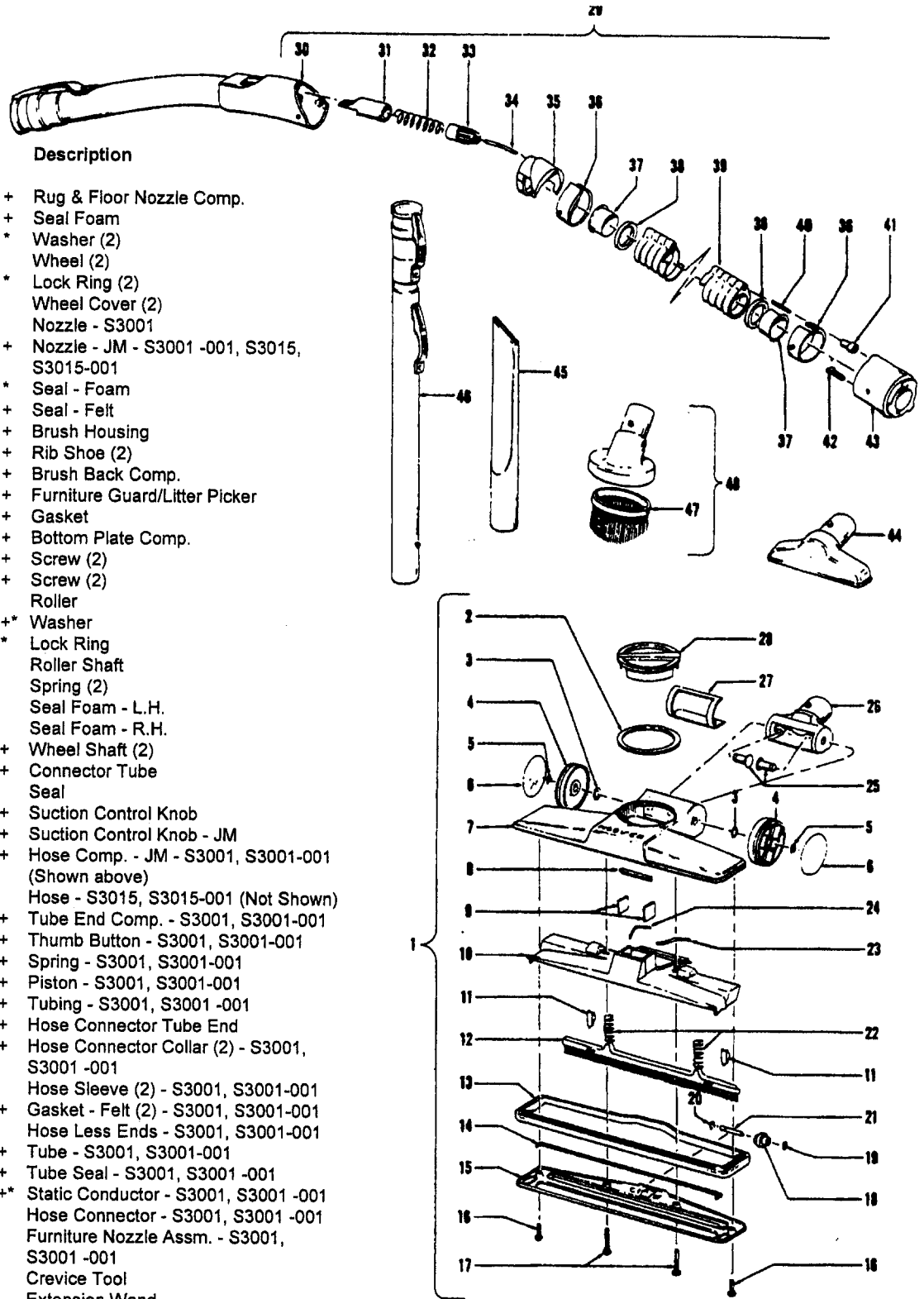
PACKAGING MATERIAL

58177087	+ Carton
58259001	+ Top Support
58271001	+ Bottom Support
56513006	+ Owner Manual
56613109	+ Owner Manual - S3159

ITEMS NOT ILLUSTRATED

170351AW	+ Hinge Leaf Upper (Upper Shell)
----------	----------------------------------

Ref. No.	Part No.	Description
1	43414101	+ Rug & Floor Nozzle Comp.
2	34113001	+ Seal Foam
3	169241AW	* Washer (2)
4	169239AG	Wheel (2)
5	13730	* Lock Ring (2)
6	169242	Wheel Cover (2)
7	38615101	Nozzle - S3001
	38615086	+ Nozzle - JM - S3001 -001, S3015, S3015-001
8	34112001	* Seal - Foam
9	34223002	+ Seal - Felt
10	169250AG	+ Brush Housing
11	169253AY	+ Rib Shoe (2)
12	169256	+ Brush Back Comp.
13	169247JM	+ Furniture Guard/Litter Picker
14	169251	+ Gasket
15	169538	+ Bottom Plate Comp.
16	21481464	+ Screw (2)
17	21481465	+ Screw (2)
18	169243AG	Roller
19	21312758	+* Washer
20	24735081	* Lock Ring
21	169244AW	Roller Shaft
22	166649FW	Spring (2)
23	34513001	Seal Foam - L.H.
24	34513002	Seal Foam - R.H.
25	169240AY	+ Wheel Shaft (2)
26	169249JM	+ Connector Tube
27	34122006	Seal
28	169254JM	+ Suction Control Knob
	43271039	+ Suction Control Knob - JM
29	43434010	+ Hose Comp. - JM - S3001, S3001-001 (Shown above)
	43438035	Hose - S3015, S3015-001 (Not Shown)
30	43466002	+ Tube End Comp. - S3001, S3001-001
31	170355AJ	+ Thumb Button - S3001, S3001-001
32	170340	+ Spring - S3001, S3001-001
33	170350	+ Piston - S3001, S3001-001
34	170327	+ Tubing - S3001, S3001 -001
35	38655006	+ Hose Connector Tube End
36	170354BZ	+ Hose Connector Collar (2) - S3001, S3001 -001
37	32156010	Hose Sleeve (2) - S3001, S3001-001
38	12126	+ Gasket - Felt (2) - S3001, S3001-001
39	43431002	Hose Less Ends - S3001, S3001-001
40	170329	+ Tube - S3001, S3001-001
41	170325DM	+ Tube Seal - S3001, S3001 -001
42	34221001	+* Static Conductor - S3001, S3001 -001
43	38683003	Hose Connector - S3001, S3001 -001
44	43414057	Furniture Nozzle Assm. - S3001, S3001 -001
45	38617017	Crevice Tool
46	43458001	Extension Wand
47	113263BZ	+ Brush (Use w/161851JM)
48	161851JM	+ Dusting Brush Comp.
	43414064	Dusting Brush (One Piece)
	51611002	+ Conducting Strip



ITEMS NOT ILLUSTRATED