

Celebrity

**Models S3003, S3003-001, S3003-030,
S3073, S3073-030**

| Ref. No. | Part No. | Description |
|----------|----------|---|
| 1 | 170334AG | + Gasket |
| 2 | 19765 | +* Screw |
| 3 | 46383303 | Cord |
| 4 | 170368FN | + Plug Insert - S3003, S3003-030 |
| | 170368JM | + Plug Insert |
| 5 | 47348006 | Brush Block Comp. |
| 6 | 46311001 | + Pigtail Cord - S3003, S3003-030 |
| | 46313034 | + Pigtail Cord |
| 7 | 17001FW | * Screw (2) |
| 8 | 47938 | * Pin |
| 9 | 27482227 | Strain Relief (2) |
| 10 | 48123AV | +* Ring |
| 11 | 42211002 | Upper Shell - S3003, S3003-030 |
| | 42211156 | + Upper Shell - S3073, S3073-030 |
| | 42211157 | + Upper Shell - S3003-001 |
| 12 | 170361JM | + Furniture Guard |
| 13 | 12619 | +* Screw (7) |
| 14 | 170375JM | + Motor Cover |
| 15 | 161881 | + Terminal Lock (2) |
| 16 | 48969 | * Wire Nut (2) |
| 17 | 170333 | + Lead Wire - White |
| 18 | 13313 | Clamp (Metal) |
| | 36131002 | Switch Cover - L.H. (Plastic) |
| 19 | 12971 | Switch |
| 20 | 13312 | Clamp (Metal) |
| | 36131003 | Switch Cover - R.H. (Plastic) |
| 21 | 34353001 | Switch Insulation |
| 22 | 170359FP | + Rear Rest Pad |
| | 170359JX | + Rear Rest Pad - S3003-001 |
| 23 | 21447014 | * Screw (2) |
| 24 | 169293 | Motor Mount - Upper |
| 25 | 43177001 | + Motor Comp. - (P - 25) |
| | 43177008 | + Motor Comp. - S3073, S3073-030 - (P - 39) |
| 26 | 169294 | Motor Mount - Lower |
| 27 | 170374JM | lower Valve - S3003-001 |
| 28 | 170339 | + Spring |
| 29 | 31721004 | + Spacer (3) |
| 30 | 41421311 | + Bottom Pan Comp.- S3003, S3003-001, S3003-030 |
| | 41421189 | Bottom Pan Comp. - S3073, S3073-030 |
| 31 | 23737202 | Caster Wheel Assm. (3) |
| 32 | 31194005 | + Muffler |
| 33 | 166735EF | + Screw (2) |
| 34 | 42213027 | + Intermediate Shell Comp. |
| | 42213335 | + Intermediate Shell Comp. - S3073, S3073-030 |
| 35 | 170352AG | Bag Collar Connector |

| Ref. No. | Part No. | Description |
|----------|----------|---|
| 36 | 39457006 | + Handle |
| 37 | 48512FW | + Latch Link Spring |
| 38 | 16439JX | + Shell Cover Latch - S3003-001, S3073, S3073-030 |
| | 16439FP | + Shell Cover Latch - S3003, S3003-030 |
| | 16439EW | + Shell Cover Latch |
| 39 | 21652003 | + Hex Nut (3) |
| 40 | 4010009H | Throw Away Bag (3 Pk.) |
| 41 | 170332BZ | Secondary Filter |
| 42 | 21447003 | * Screw |
| 43 | 34165002 | + Brush Block Insulator (2) |
| 44 | 46831076 | Commutator |
| 45 | 46831015 | Cord Reel Comp. |
| 46 | 19999 | + Ratchet |
| 47 | 13268 | + Detent Spring |
| 48 | 170343AY | + Cord Reel Bracket |
| 49 | 170367JM | + Cord Reel Housing |
| 50 | 51661008 | Medallion |

PACKAGING MATERIAL

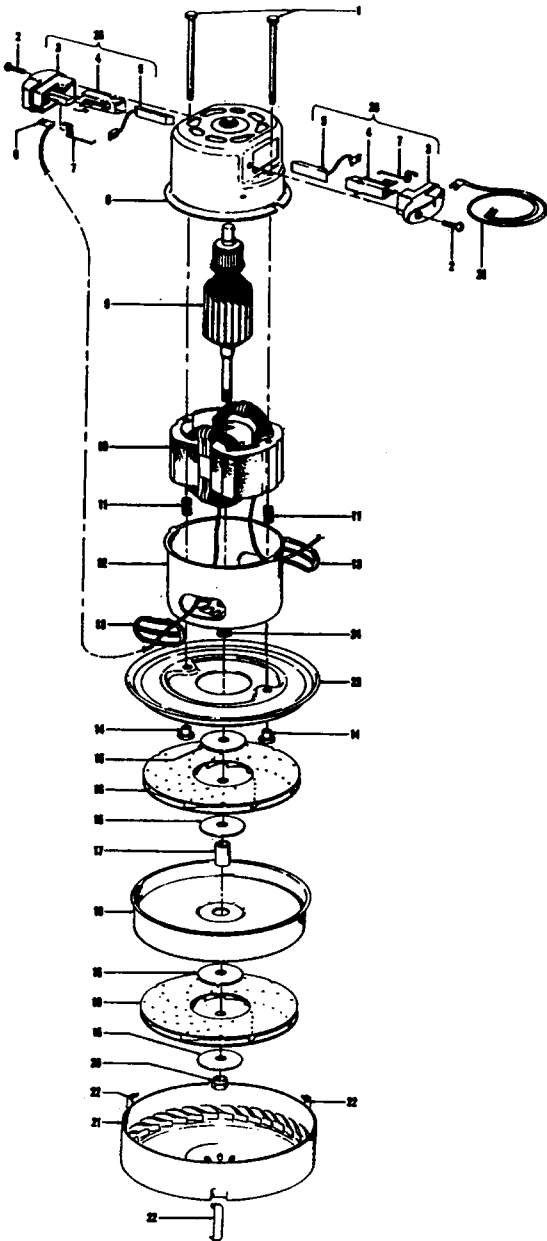
| | |
|----------|--|
| 58177022 | + Carton - S3073 |
| 58185091 | + Carton - S3003, S3003-001, S3003-030 |
| 58177031 | + Carton - S3073-030 |
| 58286001 | + Top Support |
| 58343002 | + Bottom Support |
| 56513068 | + Owner Manual |

ITEMS NOT ILLUSTRATED

| | |
|----------|----------------------------------|
| 170351AW | + Hinge Leaf Upper (Upper Shell) |
|----------|----------------------------------|

Motor

Models S3001, S3001-001, S3003, S3003-001, S3003-030



| Ref. No. | Part No. | Description |
|----------|----------|---------------------------|
| | 43177001 | + Motor Comp. |
| 1 | 12022 | Field Lamination Bolt (2) |
| 2 | 21429406 | * Screw (2) |
| 3 | 168038AG | Brush Housing - Only (2) |
| 4 | 168506 | Brush Holder (2) |
| 5 | 167679 | Carbon Brush Comp. (2) |
| 6 | 27666551 | * Terminal |
| 7 | 38353004 | Spring (2) |
| 8 | 169706 | Motor Housing - Upper |
| 9 | 44765106 | Armature Comp. |
| 10 | 168476 | + Field Comp. |
| 11 | 167721FW | Spring (2) |
| 12 | 41823001 | Motor Housing - Lower |
| 13 | 169702BZ | + Lead Wire Bushing (2) |
| 14 | 167695EF | Nut Special (2) |
| 15 | 21312774 | + Washer (2) |
| 16 | 43566006 | + Fan Comp. |
| 17 | 31732003 | Spacer |
| 18 | 169712 | + Interstage Comp. |
| 19 | 43566006 | + Fan Comp. |
| 20 | 33426001 | Nut Special |
| 21 | 37218005 | Diffuser |
| 22 | 34786002 | Spring Clip (3) |
| 23 | 169713FW | Motor Mounting Plate |
| 24 | 31148002 | Spacer |
| 25 | 46213001 | + Lead Wire - White |
| 26 | 168506 | Brush Housing Comp. (2) |

Power Nozzle - Deluxe Quadraflex

S5651 CVS Kit

| Ref. No. | Part No. | Description |
|----------|----------|--|
| 1 | 46321005 | Attachment Cord - AAP - 4.5 |
| | 46321088 | Attachment Cord - AAP |
| | 46321109 | Attachment Cord T-Plug (C.V.S. Models) |
| 2 | 36231094 | + Furniture Guard - VVW |
| | 36231096 | Furniture Guard - MY |
| | 36231103 | Furniture Guard - MS |
| | 36231111 | Furniture Guard - LU |
| 3 | 48416030 | Agitator - 4B |
| 4 | 163768 | Strain Relief |
| 5 | 21447041 | Screw |
| 6 | 27479307 | Wire Tie |
| 7 | 36131066 | + Retainer Hsg. - AAP |
| | 36131023 | Retainer Hsg. - MX |
| | 36131044 | Retainer Hsg. - MP |
| | 36131033 | Retainer Hsg. - ML |
| | 36131067 | Retainer Hsg. - AG |
| 8 | 43461019 | + Nozzle Connector - AAP |
| | 43461006 | + Nozzle Connector - MX |
| | 43461007 | Nozzle Connector - MP |
| | 43461021 | Nozzle Connector - AG |
| | 43461016 | Nozzle Connector - ML |
| | 43461018 | + Nozzle Connector - AAK |
| | 43461015 | + Nozzle Connector - MN |
| | 43461004 | + Nozzle Connector - LZ |
| 9 | 34112005 | Seal |
| 10 | 34337003 | Seal |
| 11 | 47171020 | Lamp Socket |
| 12 | 36120 | Wire Nut |
| 13 | | Lead Wire Holder |
| 14 | 42256098 | Duct Cover |
| | 42256101 | Duct Cover w/o Headlight |
| 15 | 34123017 | Seal |
| 16 | 35276001 | Detent Spring |
| 17 | 32175025 | Wheel |
| 18 | 31523005 | Shaft |
| 19 | 32761001 | Wheel |
| 20 | 31522004 | Wheel Shaft |
| 21 | 21447007 | Screw |
| 22 | 42246121 | Base Plate Assem. |
| 23 | 34337004 | Lower Seal |
| | 34378010 | Upper Seal |
| 24 | 13261AY | Rib Shoe |
| 25 | 36218005 | Grommet |
| 26 | 27317307 | Lamp |
| 27 | 43177073 | Motor |
| 28 | 51865008 | Lens Cover Plate |
| 29 | 27666702 | Terminal |
| 30 | 37258082 | Shield |
| 31 | 281770KD | Switch |
| 32 | 51151053 | Indicator |
| 33 | 34361001 | Switch Actuator |
| 34 | 42262032 | Housing |
| 35 | 36131017 | Retainer |
| 36 | 38353007 | Torsion Spring |
| 37 | 31523006 | Pivot Shaft |
| 38 | 38458002 | Depressor |

| Ref. No. | Part No. | Description |
|----------|----------|------------------------------|
| 39 | 38433067 | + Switch Pedal |
| | 38433044 | Switch Pedal |
| | 38433054 | Switch Pedal |
| 40 | 38528011 | Belt |
| 41 | 42252187 | + Nozzle Body - AAP |
| | 42252189 | Nozzle Body - MX |
| | 42252181 | + Nozzle Body - MP |
| | N/A | Nozzle Body - ML |
| 42 | 52125120 | Nameplate - C.V.S. |
| | 51375097 | Nameplate - Dimension/Spirit |
| 43 | 39383060 | + Lens (Use as blank also) |
| 44 | 43457036 | + Swivel Tube - AAP |
| | 43457032 | + Swivel Tube - MX |
| | 43457037 | Swivel Tube - AG |
| | 43457012 | Swivel Tube - MP |
| | 43457044 | + Swivel Tube - ML |
| | 43457035 | + Swivel Tube - AAK |
| | 43457031 | + Swivel Tube - LZ |
| | 43457034 | + Swivel Tube - MN |

POWER NOZZLE COMPLETE

| | |
|----------|--------------------------------|
| 48438044 | PN Dix. - AG |
| 48438249 | PN Dix. - AG (T-Plug - C.V.S.) |
| 48438024 | + PN Dix. - MX |

Agitator #48416030

| Ref. No. | Part No. | Description |
|----------|----------|----------------|
| 1 | 48495AY | Thread Guard |
| 2 | 43267002 | Bearing |
| 3 | 21347003 | Washer |
| 4 | 36422001 | End |
| 5 | 48445017 | Agitator Brush |
| 6 | 41435018 | Thread Guard |
| 7 | 38537008 | End Pulley |
| 8 | 48418001 | Brush Ring |
| 9 | 31722019 | Spacer |
| 10 | 32724005 | Shaft |

CORD ASSEMBLY

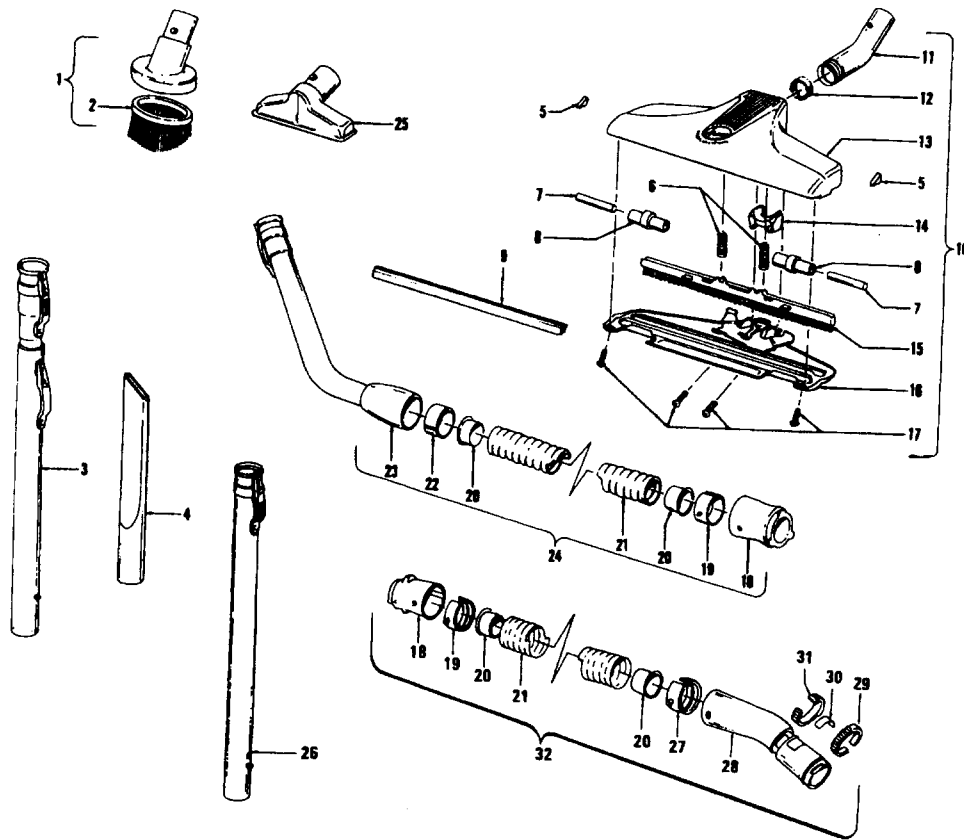
C.V.S. & Dimension units produced past Mar./90 incorporated 2 different styles of cords. Fig. 3 represents the old design and Fig. 4 is the newer design T-plug.

The cords are not interchangeable because the hose grips for each individual type of cord will not accept both type plugs.

See parts list for cord #'s

Cleaning Tools

Models S3003, S3003-001, S3003-030 S3073, S3073-030



| Ref. No. | Part No. | Description |
|----------|----------|-----------------------------------|
| 1 | 161851JM | + Dusting Brush Comp. |
| | 43414064 | Dusting Brush (One Piece) |
| | 13263BZ | + Brush (Use w/161851JM) |
| 3 | 43458001 | Extension Wand |
| 4 | 38617017 | Crevice Tool |
| | 13261AY | * Rib Shoe (2) |
| 6 | 15963FW | + Spring (2) |
| 7 | 13272 | + Roller Shaft (2) |
| 8 | 13157AG | + Roller (2) |
| 9 | 13259PH | + Litter Picker |
| 10 | 43414101 | + Rug & Floor Nozzle Comp. |
| 11 | 13156T | + Nozzle Connector Tube - S3003 |
| | 43463012 | + Nozzle Connector Tube |
| 12 | 13267 | +* Gasket |
| 13 | 35615031 | + Rug & Floor Nozzle Only - S3003 |
| | 38615156 | Rug & Floor Nozzle Only |
| 14 | 161413 | + Retainer |
| 15 | 16184 | Brush Back Assm. |
| 16 | 42246002 | + Bottom Plate - Edge Cleaning |

| Ref. No. | Part No. | Description |
|----------|----------|---|
| 17 | 12955 | * Screw (4) |
| 18 | 32855003 | Hose Connector |
| 19 | 12615BZ | Hose Connector Collar |
| 20 | 32156010 | Hose Sleeve (2) |
| 21 | 43434213 | Hose Complete |
| 22 | 12704BZ | Hose Grip Collar |
| 23 | 43466044 | Hose Grip - AAP S/C |
| 24 | 43434003 | + Hose Assm. (All except - S3003-030, S3073-030) (Use 43434191) |
| 25 | 43414057 | Furniture Nozzle Assm. |
| 26 | 43453027 | Ext. Tube - S3003-030, S3073-030 |
| 27 | 36116006 | Hose Connector Collar |
| 28 | 43466044 | Hose Grip - AAP S/C |
| 29 | 36153009 | Latch Ring |
| 30 | 51869006 | Hose Connector Label |
| 31 | 38711006 | Suction Control Ring |
| 32 | 43434191 | Hose Comp. - S3003-030, S3073-030 |