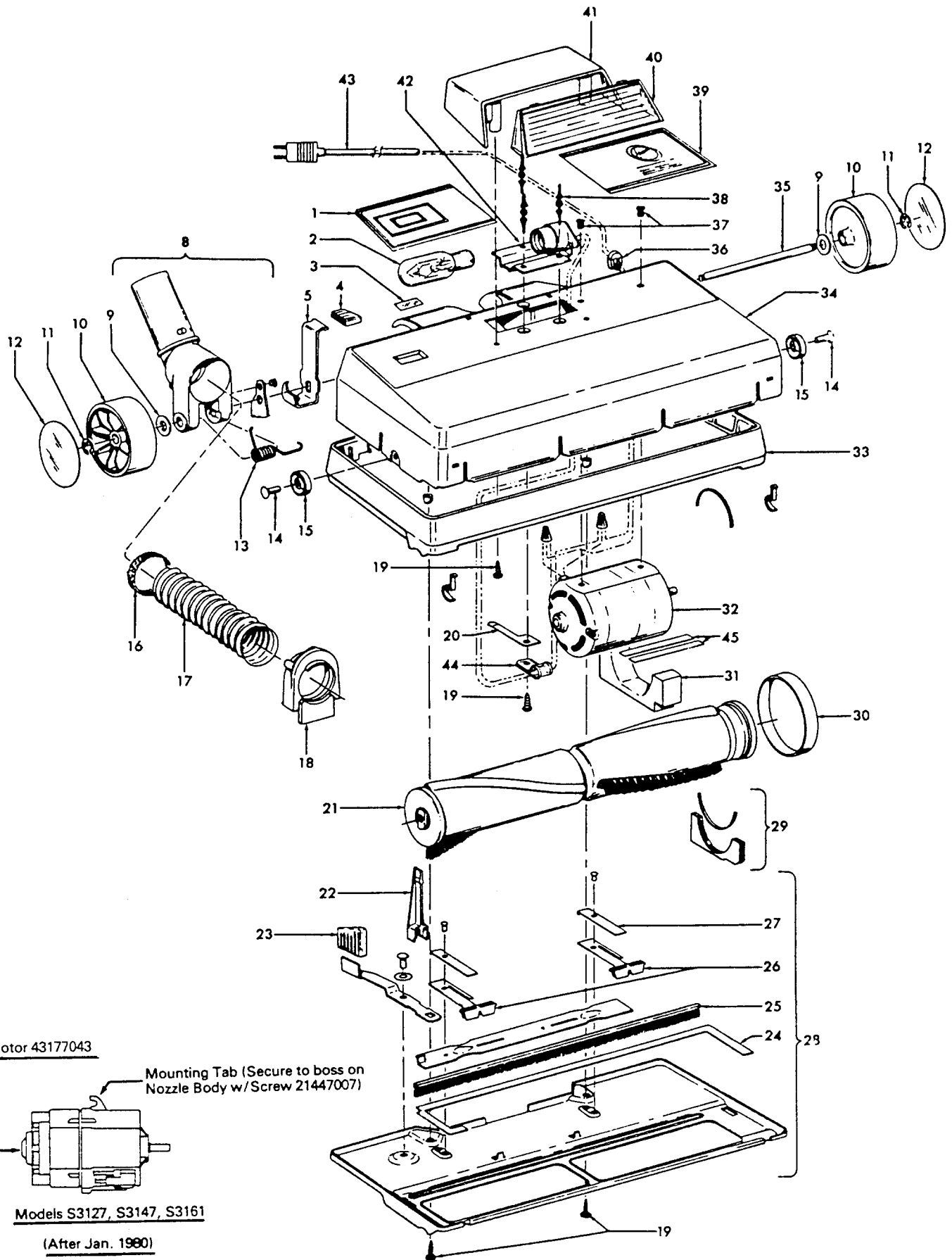


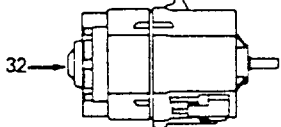
Powermatic Nozzle

Models S3057, S3059, S3059-030, S3061, S3061-030, S3077, S3079, S3079-030, S3079-035, S3081, S3083, S3083-030, S3093, S3127, S3147, S3149, S3161



Motor 43177043

Mounting Tab (Secure to boss on Nozzle Body w/ Screw 21447007)



Models S3127, S3147, S3161

(After Jan. 1980)

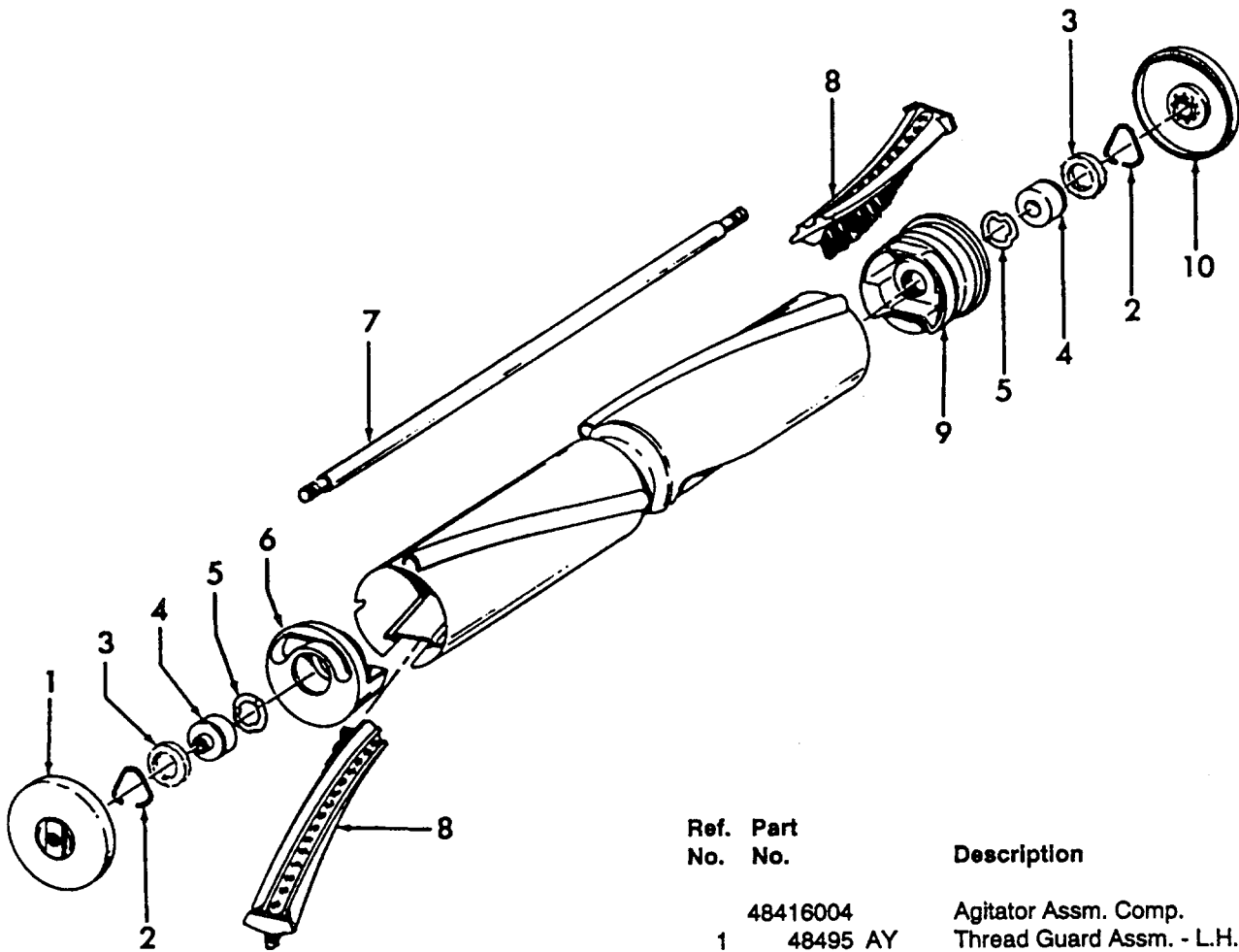
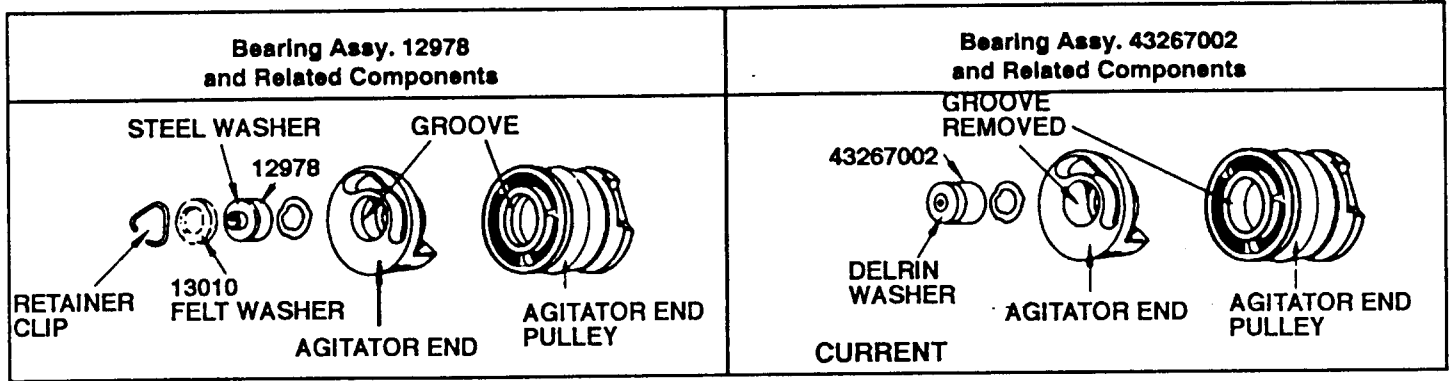
Powermatic Nozzle

Models S3057, S3059, S3059-030, S3061, S3061-030, S3077 S3079, S3079-030, S3079-035, S3081, S3083, S3083-030, S3093, S3127, S3147, S3149, S3161

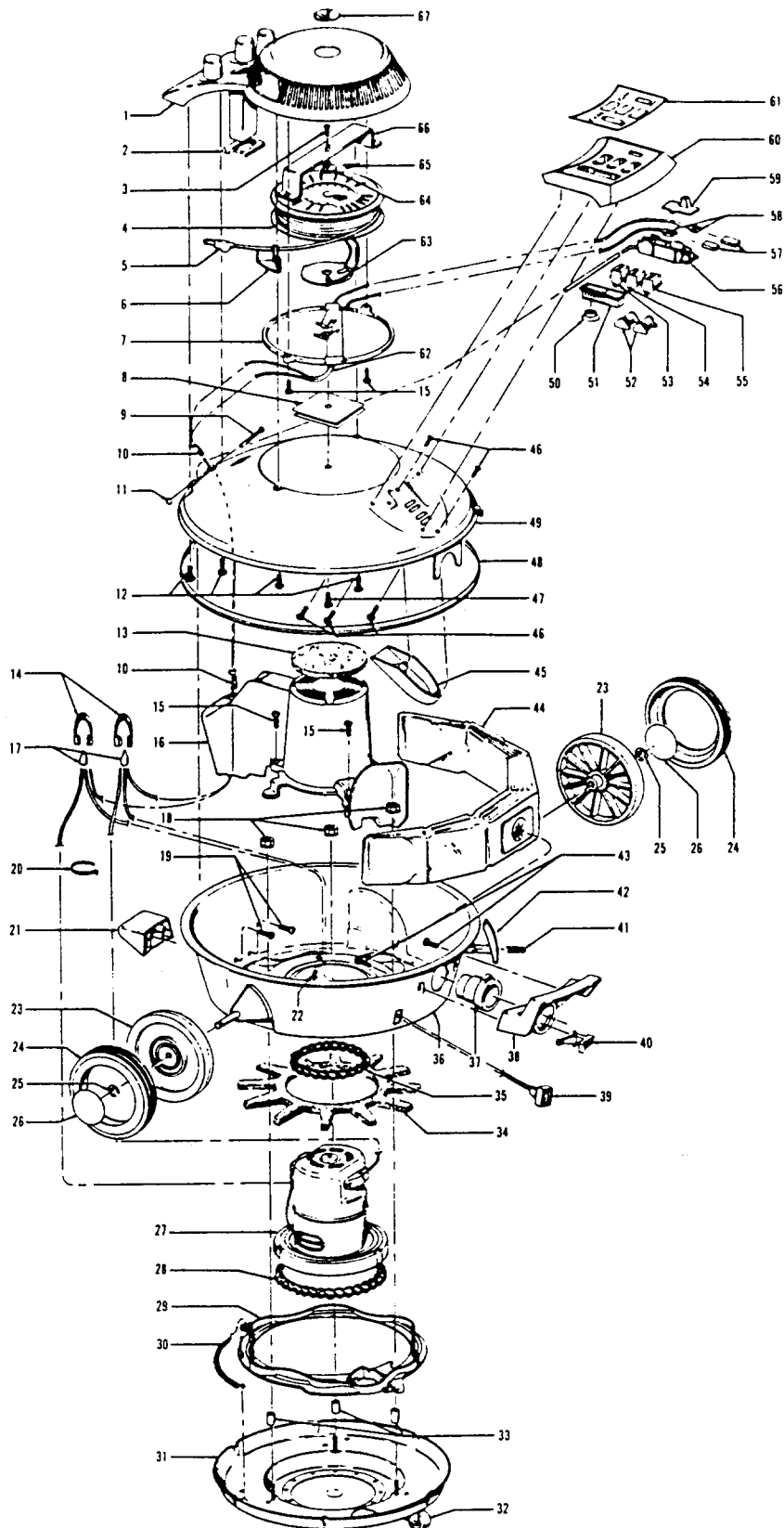
Ref. No.	Part No.	Description	Ref. No.	Part No.	Description
1	51639014	+ Nameplate - S3061, S3077	33	36235001	+ Furniture Guard - S3061, S3061-030
2	27317307	Lamp - S3061, S3061-030, S3077		36235017	Furniture Guard - LY -
3	39382013	+ Indicator Lens	34	42241041	Nozzle Body Assm.
4	38426072	+ Foot Pad	35	32543002	Wheel Shaft
	38426071	Foot Pad - S3077, S3079, S3079-030, S3079-035, S3081, S3161	36	163768	Strain Relief
5	34664007	Handle Release Lever	37	21434224	+ Screw (2) (Use w/27212011 Motor)
8	43468013	Nozzle Position Bracket Assm. (Incl. Screw & Handle Position Bracket)		21447007	* Screw (1) Use w/43177073 Motor) (Models S3127, S3147, S3161, After Jan. 1980)
9	31155005	* Washer - Plain (2)	38	36218005	Isolation Grommet (3)
10	38522001	Wheel (2)	39	52125003	+ Nameplate - S3061, S3061-030
11	13730	* Lock Ring (2)		51661006	+ Nameplate - S3077
12	169242	Wheel Cover (2)		51375027	+ Nameplate - S3057, S3059, S3059-030, S3127, S3161
13	38355005	Torsion Spring	40	39383014	Lens - S3061, S3061-030 S3077
14	21256025	Rivet (2)	41	42252001	Housing Assm. - S3061, S3061-030
15	32761001	Wheel (2)		42252002	Housing Assm. - S3077
16	166651	Felt Seal	42	47171002	+ Dirt Finder Socket Assm. - S3061, S3061-030, S3077
17	43431196	Hose	43	46321002	Cord
18	38638013	Hose Adapter	44	12910	Tube Clamp - S3061, S3061-030, S3077
19	21429404	+ Screw (3)	45		Electrical Tape - 1/2" Wide
20	35412003	Spring		48438084	Powered Nozzle Comp. - S3057, S3059, S3059-030, S3079, S3079-030, S3079-035, S3081, S3083, S3083-030, S3127, S3147, S3161, S3093
21	48416004	Agitator		48438055	Powered Nozzle Comp. - S3061, S3061-030, S3077
22	51151031	+ Indicator		48438081	+ Powered Nozzle Comp.
23	38426080	Foot Pad		48438120	Powered Nozzle Comp. - S3149
24	34123001	Seal	ITEMS NOT ILLUSTRATED		
25	48443001	Brush			
26	36952008	Brush Support (2)			
27	34654003	Spring (2)			
28	42246006	+ Bottom Plate Assm.			
	42246007	+ Bottom Plate Assm. - S3081, S3093			
	42246050	Bottom Plate Assm. - S3079-035			
	42246003	Bottom Plate Assm. - S3057, S3059, S3061, S3127, S3147, S3149, S3161			
29	43548001	+ Agitator Seal Assm.			
30	38528009	Belt			
31	38781003	Dirt Seal (use w/27212011 Motor)	51638007	Handle Release Label - S3077, S3083	
	34284001	+ Motor Baffle (Use w/43177073 Motor, Models S3127, S3147, S3161 - After Jan. 1980)	34618017	Bracket Assm. (Use w/27212011 (Plastic Case) when installing on old style Nozzle Body with two mounting holes)	
32	27212011	+ Motor (use w/21434224 Screw, (2))			
	43177073	Motor w/Mounting Tab (Use w/21447007 Screw (1), Models S3127, S3147, S3161 - After Jan. 1980)			

Agitator

Models S3057, S3059, S3059-030, S3061, S3061-030, S3077, S3079, S3079-030, S3079-035, S3081, S3083, S3083-030, S3093, S3127, S3131, S3131-030, S3133, S3135, S3137, S3139, S3139-035, S3141, S3147, S3149, S3153, S3161, S3173



Ref. No.	Part No.	Description
	48416004	Agitator Assm. Comp.
1	48495 AY	Thread Guard Assm. - L.H.
2	12987	+* Retainer Clip (2)
3	13010	* Washer - Felt (2)
4	12978	Agitator Bearing Assm. (2) (Use w/Item 2 & 3)
	43267002	Agitator Bearing Assm. (2) (Current)
5	21347003	* Washer (2)
6	160542	Agitator End Assm.
7	160070	Agitator Shaft
8	160646 BZ	Agitator Brush Back Assm. (2)
9	160538	Agitator End Pulley
10	12985 AY	Agitator Thread Guard Assm. - R.H.



Celebrity

Models S3061, S3061-030, S3077

Ref. No.	Part No.	Description
1	37215021	+ Cord Reel Housing
	37215047	+ Cord Reel Housing - S3077
2	170334AG	+ Gasket
3	19765	+* Screw
4	46831015	Cord Reel Comp.
5	46383303	Cord
6	170368JM	+ Plug Insert
7	47348007	Brush Block Comp.
8	34165002	+ Brush Block Insulator (2)
9	47938	Hinge Pin
10	27482227	Strain Relief Bushing (2)
11	48123AV	+* Lock Ring
12	12619	+* Screw (4)
13	170332BZ	Secondary Filter
14	161881	+ Terminal Lock (2)
15	17001FW	* Screw (5)
16	170375JM	+ Motor Cover
17	48969	* Wire Nut (2)
18	21652003	+ Hex Nut (3)
19	21447014	* Screw (2)
20	27479307	* Wire Tie
21	170359FP	+ Rear Rest Pad
	170359PH	+ Rear Rest Pad - S3077
22	34341006	* Retaining Clip
23	160108JJ	+ Wheel (2)
	160108PH	+ Wheel
24	161448AG	+ Rubber Tire
25	160017	* Lock Ring (2)
26	169242	Wheel Cover (2)
27	43577074	+ Motor - 3.7 - (P - 60)
28	169294	Motor Mount - Lower
29	170374JM	Blower Adapter
30	170339	+ Spring
31	41421129	Bottom Pan Comp.
	41421025	+ Bottom Pan Comp. - S3077
32	23737202	Caster Wheel
33	31721004	+ Spacer (3)
34	31194005	+ Muffler
35	169293	Motor Mount - Upper
36	42213126	+ Intermediate Shell Comp.
37	170352AG	Bag Collar Connector
38	39457006	+ Handle
39	46326076	+ Connector
40	36151012	Latch

Ref. No.	Part No.	Description
41	48512FW	+ Shell Cover Latch Spring
42	16439JX	+ Shell Cover Latch
43	166735EF	+ Screw (2)
44	4010009H	Throw Away Bag (3 Pk.)
45	37911002	+ Vacuum Control Panel
46	21479229	Screw (Control Panel) (5)
47	21447003	* Screw
48	170361JM	+ Furniture Guard
49	42211193	+ Upper Shell
	37211017	+ Upper Shell - S3077
50	32172002	Bag Indicator Seal
51	51151002	Full Bag Indicator Comp.
52	170344HE	+ Cam (2)
53	170345AG	+ Vacuum Control Button (Min.)
54	38422002	+ Vacuum Control Button (Med.)
55	38422007	+ Vacuum Control Button (Max.)
56	47538005	Switch Actuator Assm.
57	162961	Insulating Pod (Pigtail) (2)
58	163055	* Terminal (Pigtail) (2)
59	38421017	+ Switch Button
60	170370JM	+ Control Panel Cover
	170370PH	+ Control Panel Cover
61	51481002	+ Control Panel
	51481004	+ Control Panel - S3077
62	46312016	Pigtail Cord
63	46831076	Commutator
64	19999	+ Ratchet
65	38331004	+ Detent Spring
66	170343AY	+ Cord Reel Bracket
67	51661008	+ Medallion

ITEMS NOT ILLUSTRATED

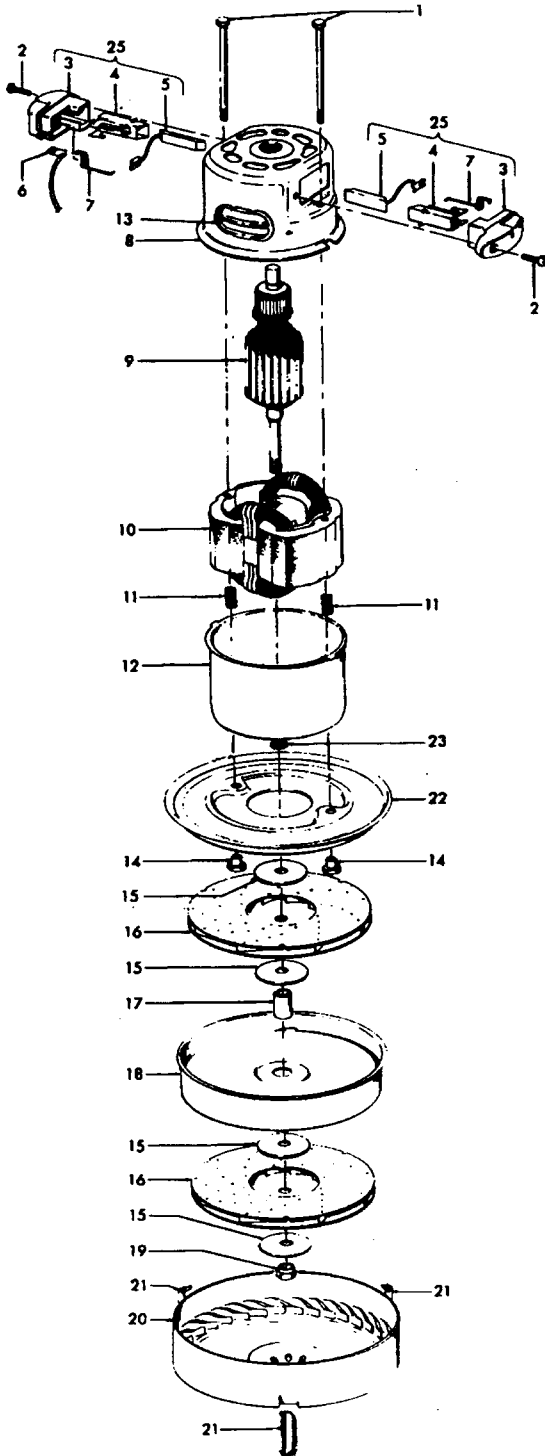
170351AW + Hinge Leaf Upper (Upper Shell)

PACKAGING MATERIAL

56513056 + Owner Manual
 58132009 + Nozzle Carton
 58332001 + Nozzle Support
 56513038 + Owner Manual - S3077

Celebrity Motor

Motor - 1 Speed - 43577074 (3.7) Motor - 2 Speed - 43577093 (3.7)

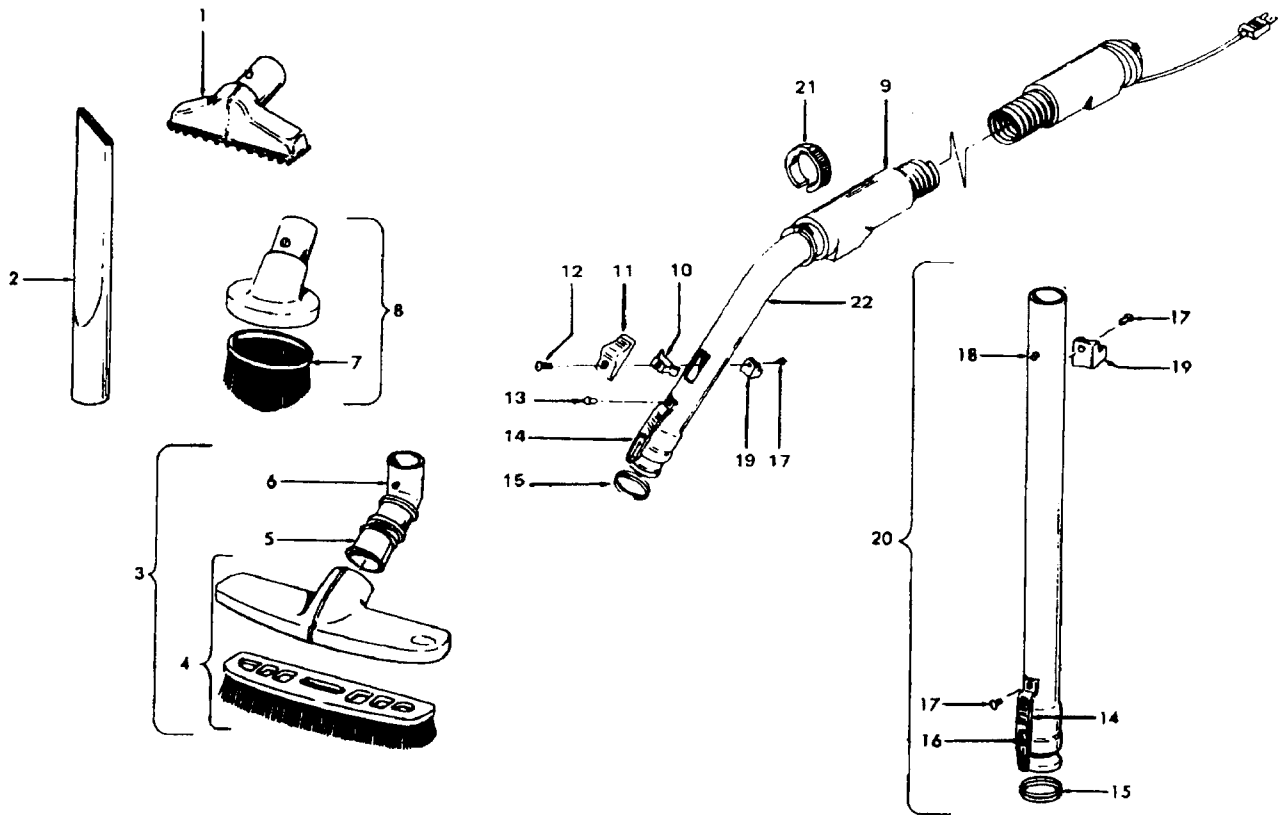


43577093 Motor Comp. - S3153, S3141
43577074 + Motor Comp. - S3059, S3059-030, S3061, S3061-030, S3077, S3139, S3139-035, S3173, S3217, S3219, S3233

Ref. No.	Part No.	Description
1	12022	Field Bolt
2	21429406	* Screw
3	168038	Brush Carrier
4	168506-	Brush Holder
5	167679	Carbon Brush
6	27666551	* Terminal
7	38353004	Spring
8	169706	Motor Housing - Upper
9	44765106	Armature
10	45311018	+ Field - 2 Speed - 3.7
	45311022	+ Field - 1 Speed - 3.7
11	167721FW	Spring
12	41823001	Motor Housing - Lower
13	169702BZ	+ Bushing
14	167695EF	Nut
15	21312774	+ Washer
16	43566006	+ Fan
17	31732003	Spacer
18	169712	+ Interstage
19	33426001	Nut
20	37218005	Diffuser
21	34786002	Spring Clip
22	169713FW	Mounting Plate
23	31148002	Spacer
25	168506	Brush Carrier Assm.

Cleaning Tools

Models S3059, S3059-030, S3061, S3061-030, S3079, S3079-030, S3083, S3083-030, S3127, S3147, S3149, S3161



Ref. No.	Part No.	Description	Ref. No.	Part No.	Description
1	43414057	Furniture Nozzle Comp.	10	13257BZ	Suction Regulator Support
2	38617017	Crevice Tool	11	13142AG	Suction Regulator Control
3	13077JM	+ Floor Brush Assm.	12	13275	+* Screw
	43414073	Floor Brush Assm.	13	12783	+* Rivet
4	13155JM	+ Brush Back & Nozzle Assm. (Use w/13077JM)	14	12846AG	Tube Latch (2)
5	13276	Floor Brush Swivel Bushing (Use w/13154JM)	15	12845JM	Gasket (2)
	33712007	Split Ring (Use w/38644040)	16	12772	+* Rivet
6	13154JM	+ Swivel Connector (Use w/13077JM)	17	12783	+* Rivet (2)
	38644040	Swivel Connector (Use w/48473025)	18	12763AW	* Rivet
7	13263BZ	+ Brush (Use w/ 61851 JM)	19	36171005	Cord Clip
8	161851JM	+ Dusting Brush Comp.	20	43453085	Ext. Tube (2) (17")
	43414064	Dusting Brush (One Piece)		43453052	Ext. Tube 20 - AX- S3127, S3161
9	43438022	+ Current Carrying Hose & Tube	21	36153009	Latch Ring
	43433085	Current Car in Hose	22	43468055	Hose Tube (Early)
				43453023	Ext. Tube - AX- 20 - S3127, S3161 (Current)
				170110	+ Shag Vac Rake - S3161 S3149