

Celebrity

**Models S3003, S3003-001, S3003-030,
S3073, S3073-030**

Ref. No.	Part No.	Description
1	170334AG	+ Gasket
2	19765	+* Screw
3	46383303	Cord
4	170368FN	+ Plug Insert - S3003, S3003-030
	170368JM	+ Plug Insert
5	47348006	Brush Block Comp.
6	46311001	+ Pigtail Cord - S3003, S3003-030
	46313034	+ Pigtail Cord
7	17001FW	* Screw (2)
8	47938	* Pin
9	27482227	Strain Relief (2)
10	48123AV	+* Ring
11	42211002	Upper Shell - S3003, S3003-030
	42211156	+ Upper Shell - S3073, S3073-030
	42211157	+ Upper Shell - S3003-001
12	170361JM	+ Furniture Guard
13	12619	+* Screw (7)
14	170375JM	+ Motor Cover
15	161881	+ Terminal Lock (2)
16	48969	* Wire Nut (2)
17	170333	+ Lead Wire - White
18	13313	Clamp (Metal)
	36131002	Switch Cover - L.H. (Plastic)
19	12971	Switch
20	13312	Clamp (Metal)
	36131003	Switch Cover - R.H. (Plastic)
21	34353001	Switch Insulation
22	170359FP	+ Rear Rest Pad
	170359JX	+ Rear Rest Pad - S3003-001
23	21447014	* Screw (2)
24	169293	Motor Mount - Upper
25	43177001	+ Motor Comp. - (P - 25)
	43177008	+ Motor Comp. - S3073, S3073-030 - (P - 39)
26	169294	Motor Mount - Lower
27	170374JM	lower Valve - S3003-001
28	170339	+ Spring
29	31721004	+ Spacer (3)
30	41421311	+ Bottom Pan Comp.- S3003, S3003-001, S3003-030
	41421189	Bottom Pan Comp. - S3073, S3073-030
31	23737202	Caster Wheel Assm. (3)
32	31194005	+ Muffler
33	166735EF	+ Screw (2)
34	42213027	+ Intermediate Shell Comp.
	42213335	+ Intermediate Shell Comp. - S3073, S3073-030
35	170352AG	Bag Collar Connector

Ref. No.	Part No.	Description
36	39457006	+ Handle
37	48512FW	+ Latch Link Spring
38	16439JX	+ Shell Cover Latch - S3003-001, S3073, S3073-030
	16439FP	+ Shell Cover Latch - S3003, S3003-030
	16439EW	+ Shell Cover Latch
39	21652003	+ Hex Nut (3)
40	4010009H	Throw Away Bag (3 Pk.)
41	170332BZ	Secondary Filter
42	21447003	* Screw
43	34165002	+ Brush Block Insulator (2)
44	46831076	Commutator
45	46831015	Cord Reel Comp.
46	19999	+ Ratchet
47	13268	+ Detent Spring
48	170343AY	+ Cord Reel Bracket
49	170367JM	+ Cord Reel Housing
50	51661008	Medallion

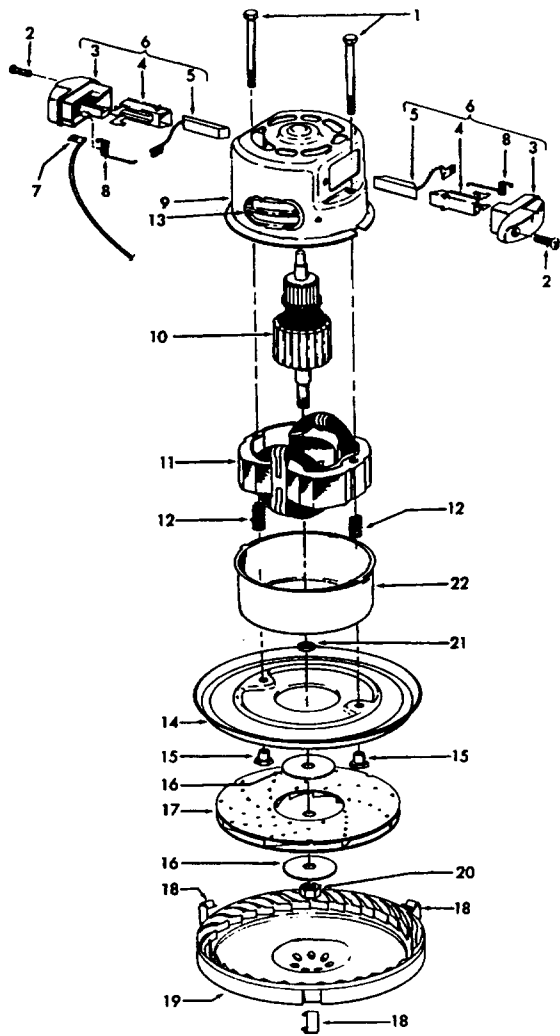
PACKAGING MATERIAL

58177022	+ Carton - S3073
58185091	+ Carton - S3003, S3003-001, S3003-030
58177031	+ Carton - S3073-030
58286001	+ Top Support
58343002	+ Bottom Support
56513068	+ Owner Manual

ITEMS NOT ILLUSTRATED

170351AW	+ Hinge Leaf Upper (Upper Shell)
----------	----------------------------------

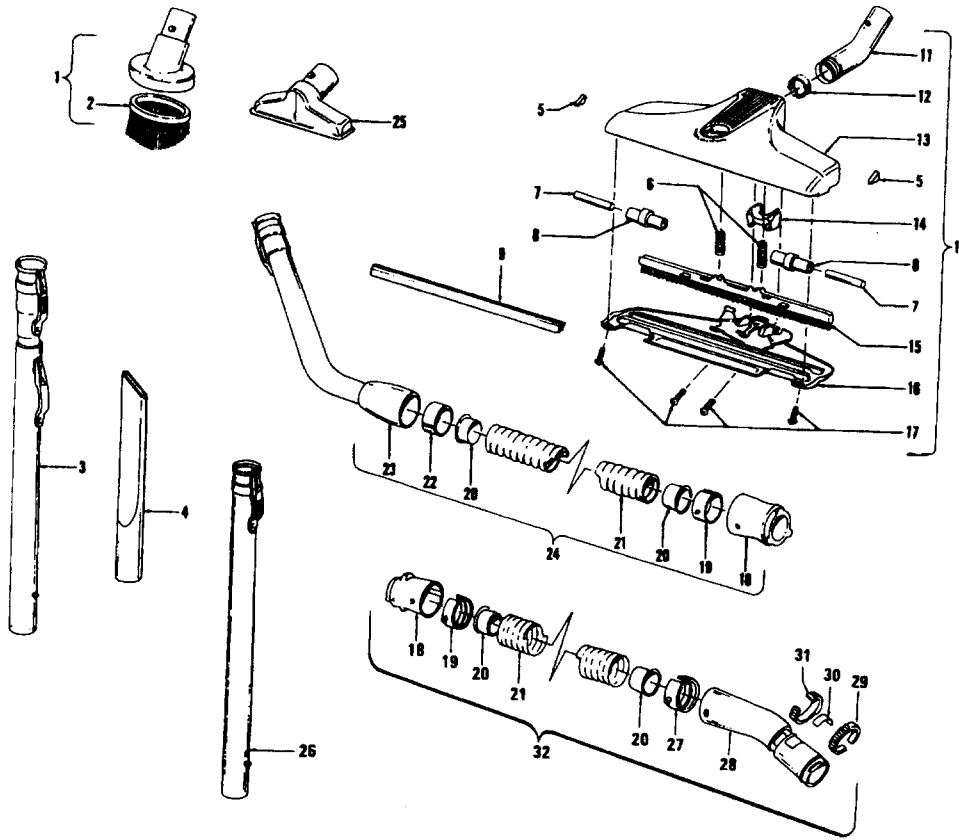
S3073, S3073-030, S3079, S3079-030, S3079-035, S3081,
 S3083, S3083-030, S3093, S3121, S3123, S3125, S3125-030,
 S3127, S3131, S3131-030, S3133, S3135, S3147, S3149, S3159
 S3161, S3165, S3167, S3169, S3215



Ref. No.	Part No.	Description
1	33421004	+ Field Lamination Bolt
2	21429406	* Screw
3	167696AG	Brush Housing - Only
4	N/A	Brush Holder - Use Brush Carrier Assem. 47318008 It. 6.
5	167681	Carbon Brush & Terminal
6	47318008	Brush Housing - Comp.
7	27666551	* Terminal
8	38353004	Spring
9	169707	Motor Housing - Upper
10	168479	Armature
11	168470	+ Field
12	167721FW	Spring
13	169702BZ	+ Bushing
14	169713FW	Motor Mounting Plate
15	167695EF	Nut
16	21312774	+ Washer
17	43566006	+ Fan
18	34785004	Spring Clip
19	169714AG	+ Diffuser
20	33426001	Nut
21	31148002	Spacer
22	41823002	Motor Housing - Lower

Cleaning Tools

Models S3003, S3003-001, S3003-030 S3073, S3073-030



Ref. No.	Part No.	Description
1	161851JM	+ Dusting Brush Comp.
	43414064	Dusting Brush (One Piece)
	13263BZ	+ Brush (Use w/161851JM)
3	43458001	Extension Wand
4	38617017	Crevice Tool
	13261AY	* Rib Shoe (2)
6	15963FW	+ Spring (2)
7	13272	+ Roller Shaft (2)
8	13157AG	+ Roller (2)
9	13259PH	+ Litter Picker
10	43414101	+ Rug & Floor Nozzle Comp.
11	13156T	+ Nozzle Connector Tube - S3003
	43463012	+ Nozzle Connector Tube
12	13267	+* Gasket
13	35615031	+ Rug & Floor Nozzle Only - S3003
	38615156	Rug & Floor Nozzle Only
14	161413	+ Retainer
15	16184	Brush Back Assm.
16	42246002	+ Bottom Plate - Edge Cleaning

Ref. No.	Part No.	Description
17	12955	* Screw (4)
18	32855003	Hose Connector
19	12615BZ	Hose Connector Collar
20	32156010	Hose Sleeve (2)
21	43434213	Hose Complete
22	12704BZ	Hose Grip Collar
23	43466044	Hose Grip - AAP S/C
24	43434003	+ Hose Assm. (All except - S3003-030, S3073-030) (Use 43434191)
25	43414057	Furniture Nozzle Assm.
26	43453027	Ext. Tube - S3003-030, S3073-030
27	36116006	Hose Connector Collar
28	43466044	Hose Grip - AAP S/C
29	36153009	Latch Ring
30	51869006	Hose Connector Label
31	38711006	Suction Control Ring
32	43434191	Hose Comp. - S3003-030, S3073-030