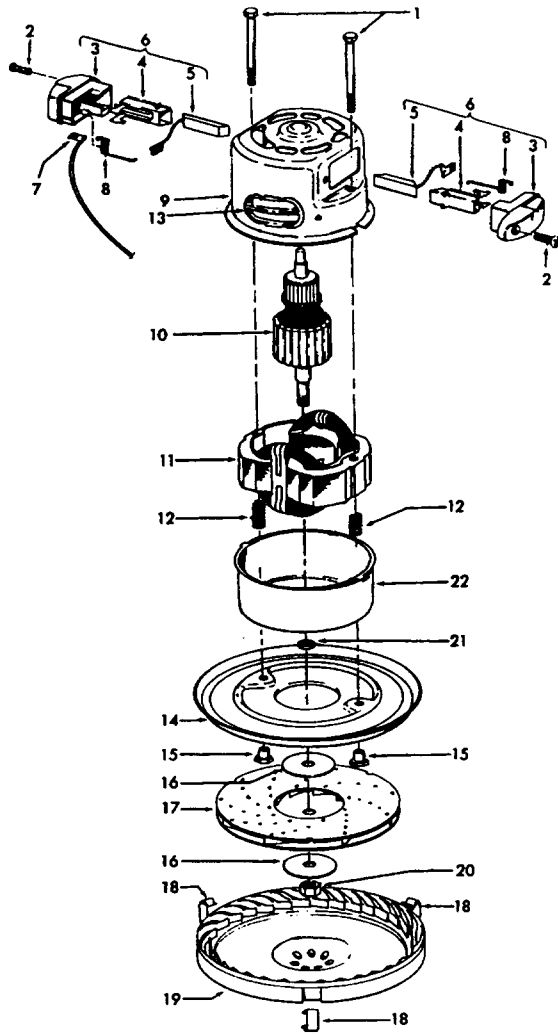


Ref. No.	Part No.	Description
1	47938	* Hinge Pin
2	170362 JM	Cord Clip
3	42211270	+ Upper Shell - KP
4	35214004	Hinge Leaf - Upper
5	48123AV	+* Lock Ring
6	170361 JM	+ Furniture Guard
7	21447017	+* Screw
8	17001 FW	* Screw
9	170377 JM	Motor Cover
10	48969	* Wire Nut
11	21652003	+ Hex Nut
12	170348 AW	Hinge Leaf - Lower
13	27479307	* Wire Tie
14	27482120	Strain Relief
15	46363195	Cord
16	42213068	+ Intermediate Shell - JJ
17	169293	Resilient Mount - Upper
18	31194005	+ Muffler
19	43177008	+ Motor
20	169294	Resilient Mount - Lower
21	31114008	+ Muffler
22	31721025	+ Spacer
23	41421189	Bottom Pan - JJ
24	23737202	Caster Wheel
25	28212026	Switch
26	31324001	Spacer
27	170352 AG	Bag Collar Connector
28	38424001	Pedal - JM
29	36151012	Latch
30	39457006	+ Handle - JM
31	48512 FW	Spring
32	16439 JX	+ Latch
33	160862	+ Screw
34	4010009 H	Paper Bag - (3 Pk.)
35	170332 BZ	Filter
36	52125018	+ Nameplate
	56513123	+ Owner Manual
	58177087	+ Cleaner Carton
	58254001	+ Front Bottom Support
	58336001	+ Rear Bottom Support
	58347002	+ Top Support

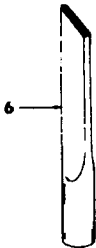
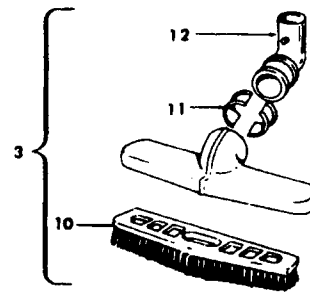
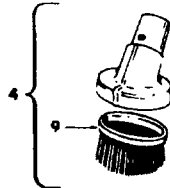
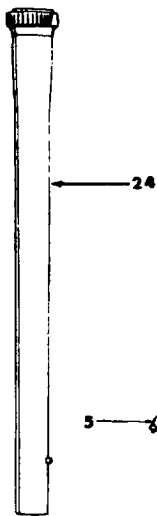
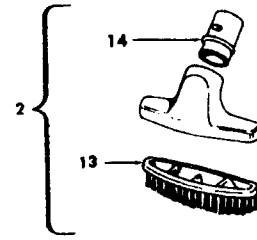
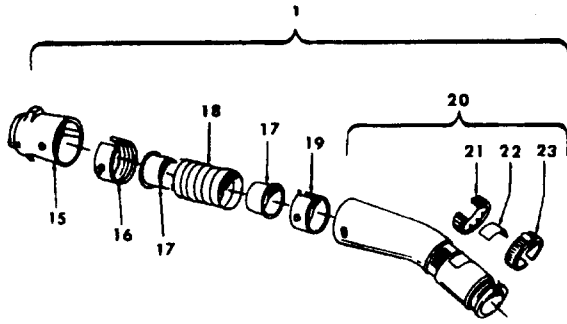
S3073, S3073-030, S3079, S3079-030, S3079-035, S3081,
 S3083, S3083-030, S3093, S3121, S3123, S3125, S3125-030,
 S3127, S3131, S3131-030, S3133, S3135, S3147, S3149, S3159
 S3161, S3165, S3167, S3169, S3215



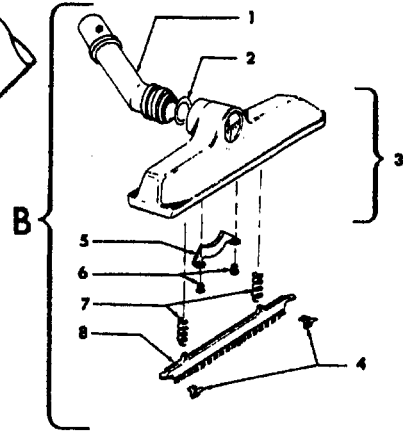
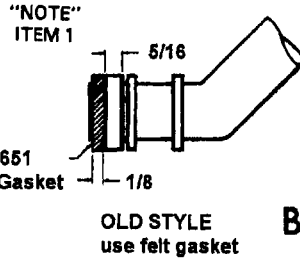
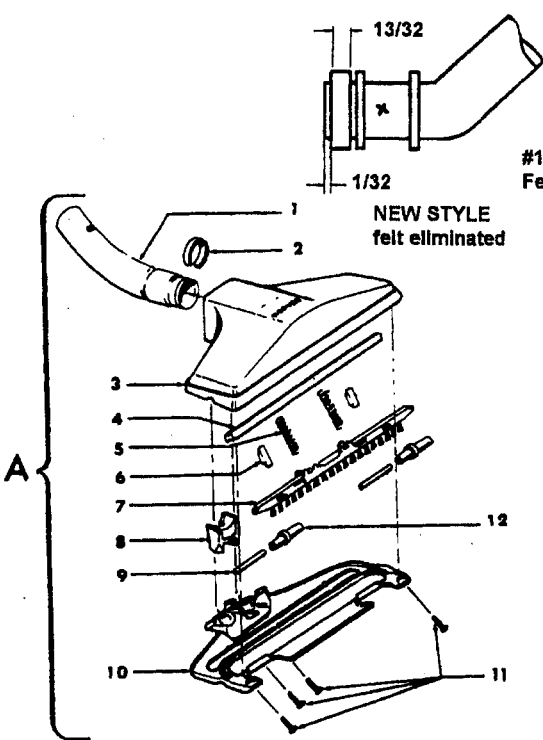
Ref. No.	Part No.	Description
1	33421004	+ Field Lamination Bolt
2	21429406	* Screw
3	167696AG	Brush Housing - Only
4	N/A	Brush Holder - Use Brush Carrier Assem. 47318008 It. 6.
5	167681	Carbon Brush & Terminal
6	47318008	Brush Housing - Comp.
7	27666551	* Terminal
8	38353004	Spring
9	169707	Motor Housing - Upper
10	168479	Armature
11	168470	+ Field
12	167721FW	Spring
13	169702BZ	+ Bushing
14	169713FW	Motor Mounting Plate
15	167695EF	Nut
16	21312774	+ Washer
17	43566006	+ Fan
18	34785004	Spring Clip
19	169714AG	+ Diffuser
20	33426001	Nut
21	31148002	Spacer
22	41823002	Motor Housing - Lower

Cleaning Tools

Models S3121, S3123, S3125, S3125-035, S3129
S3165, S3169, S3171

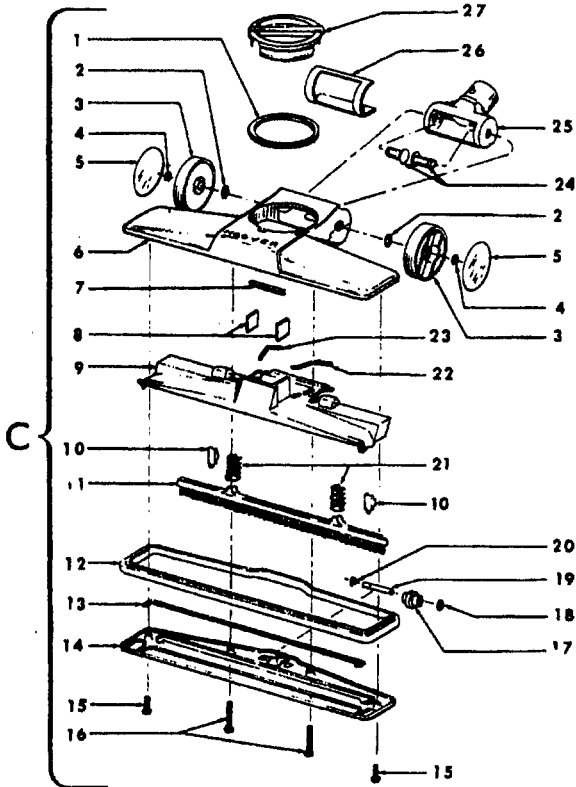


Ref. No.	Part No.	Description
1	43434191	Hose - JM
2	161852JM	+ Furniture Brush
	43414016	Furniture Brush - AG
3	13077JM	+ Floor Brush
	43414073	Floor Brush
4	161851JM	+ Dusting Brush
	43414064	Dusting Brush (One Piece)
5	43414057	Furniture Nozzle
6	38617017	Crevice Tool
7	43453027	Extension Tube
8	12845JM	Gasket
9	13263	+ Brush (Use w/161851JM)
10	13253AG	+ Brush Back
11	13276	Swivel Bushing (2) (Use w/13154JM)
	33712007	Split Ring (Use w/38644040)
12	13154JM	+ Swivel Connector (Use w/13077JM)
	38644040	Swivel Connector (Use w/48473025)
13	13254BZ	+ Brush (Use w/161852JM)
14	13149JM	Connector Tube (Use w/161852JM)
15	32855003	Hose Connector
16	12615BZ	Collar
17	32156010	Sleeve
18	43434213	Hose Complete
	43434203	Hose Complete
19	36116006	Collar
20	43466044	Hose Grip-JM
21	38711006	Suction Control Ring
22	51869006	Label
23	36153009	Latch Ring
24	3863801P	Extension Tube - Poly - AG
	170110	+ Shag Rake- S3165



A	43414101	+ Rug & Floor Nozzle - AAP - S3125, S3125-035, S3171
1	43463012	+ Connector Tube
2	13267	+* Felt Gasket
3	38615156	+ Nozzle Body - JM
4	13259PH	+ Litter Picker
5	15963FW	+ Spring
6	13261AY	* Rib Shoe
7	16184	+ Brush Back
8	161413	+* Tube Retainer
9	13272	+ Roller Shaft
10	42246002	+ Bottom Plate
11	12955	* Screw
12	13157AG	+ Roller

B	N/A	Rug & Floor Nozzle AAP - S3121, S3123, S3165, S3169 - (Use 4341401P)
1	166652JM	Nozzle Tube (See Note)
2	166651	Gasket
3	43414089	Nozzle Body - JM
4	166646	Brush Retainer
5	166650AY	+ Tube Clamp
6	166648AW	+ Screw
7	166649FW	Spring
8	166656	Brush Back



C	43414101	+ Rug & Floor Nozzle - AAP - S3129
1	34113001	+ Foam Seal
2	169241AW	* Washer
3	169239AG	Wheel
4	13730	* Lock Ring
5	169242	Wheel Cover
6	38615160	Nozzle Body - JM
7	34112001	* Foam Seal
8	34223002	+ Felt Seal
9	169250AG	+ Brush Housing
10	169253AY	+ Rib Shoe
11	169256	+ Brush Back
12	169247JM	+ Furniture Guard
13	169251	+ Gasket
14	169538	+ Bottom Plate
15	21481464	+ Screw
16	21481465	+ Screw
17	169243AG	Roller
18	21312758	+* Washer
19	169244AW	Roller Shaft
20	24735081	* Lock Ring
21	166649FW	Spring
22	34513001	Foam Seal - L.H.
23	34513002	Foam Seal - R.H.
24	169240AY	+ Wheel Shaft
25	169249JM	+ Connector Tube
26	34122006	Seal
27	169254JM	+ Control Knob