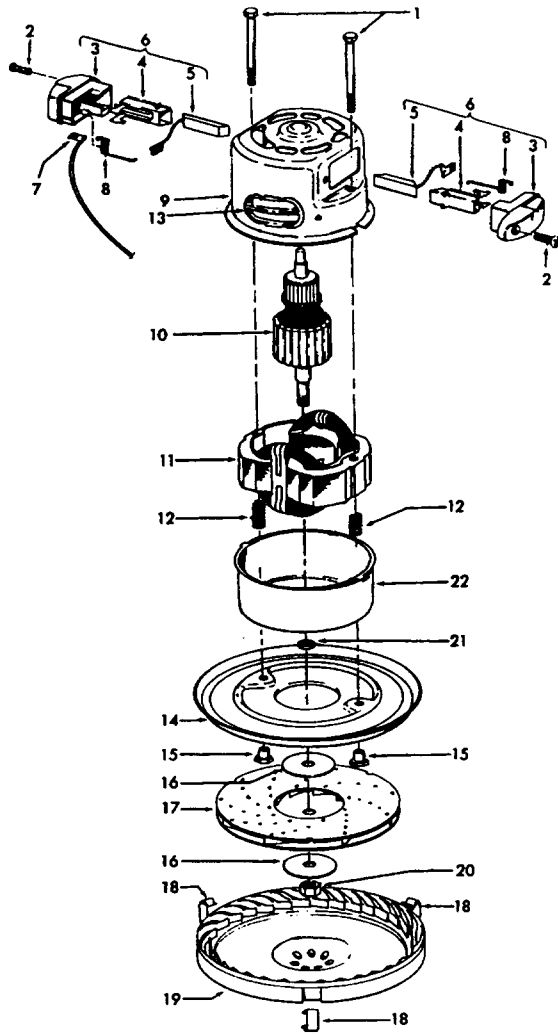


| Ref. No. | Part No. | Description |
|----------|----------|---------------------------------|
| 1 | 36433001 | + Tool Rack - KP |
| | 36433004 | + Tool Rack - JM |
| 2 | 48969 | * Wire Nut |
| 3 | 21366003 | + Speed Nut |
| 4 | 27482120 | Strain Relief |
| 5 | 34363002 | + Wire Shield |
| 6 | 35214004 | Hinge Leaf - Upper |
| 7 | 48123AV | +* Lock Ring |
| 8 | 42211338 | Upper Shell |
| | 42211293 | + Upper Shell - JV - S3171 |
| 9 | 166735EF | Screw |
| 10 | 170361VN | + Furniture Guard |
| | 170361JM | + Furniture Guard - S3171 |
| 11 | 17001FW | * Screw |
| 12 | 27482227 | Strain Relief |
| 13 | 46311112 | + Pigtail Cord |
| 14 | 37196060 | + Motor Cover - JM |
| 15 | 27479307 | * Wire Tie |
| 16 | 36921008 | + Rest Pad - JJ |
| | 36921010 | + Rest Pad - JE - S3171 |
| 17 | 170348AW | + Hinge Leaf - Lower |
| 18 | 46363224 | Attach. Cord |
| 19 | 42213309 | + Intermediate Shell - JJ |
| | 42213367 | Intermediate Shell - JE - S3171 |
| 20 | 169293 | Resilient Mount - Upper |
| 21 | 43177008 | + Motor - (P - 39) |
| | 43577101 | Motor - S3171 - (P - 90) |
| 22 | 169294 | Resilient Mount - Lower |
| 23 | 31114008 | + Muffler |
| 24 | 31721025 | + Spacer |
| 25 | 41421189 | Bottom Pan - JJ |
| | 41421311 | + Bottom Pan - JJ - S3171 |
| 26 | 23737202 | Caster Wheel |
| 27 | 170352AG | Bag Collar Connector |
| 28 | 36151012 | Latch |
| 29 | 39457006 | + Handle - JM |
| 30 | 48512FW | + Spring |
| 31 | 16439JJ | + Latch |
| | 16439JX | + Latch - S3171 |
| 32 | 160862 | +* Screw |
| 33 | 4010009H | Paper Bag (3 Pk.) |
| 34 | 21447014 | * Screw |
| 35 | 21652003 | + Hex Nut |
| 36 | 38764006 | Filter |
| 37 | 52125019 | + Nameplate |
| | 52125044 | + Nameplate - S3171 |
| 38 | 38456070 | + Switch Button |
| | 38456072 | + Switch Button - JE - S3171 |
| 39 | 47938 | * Hinge Pin |
| 40 | 28212026 | Switch |
| 41 | 38314002 | Spring |
| | 56513102 | + Owner Manual |
| | 58177087 | + Cleaner Carton |
| | 58254001 | + Front Bottom Support |
| | 58336001 | + Rear Bottom Support |
| | 58347002 | + Top Support |

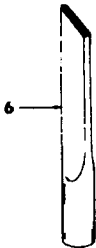
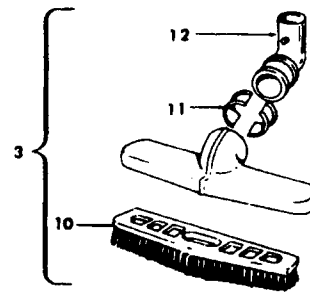
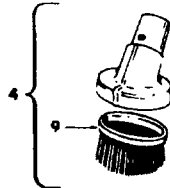
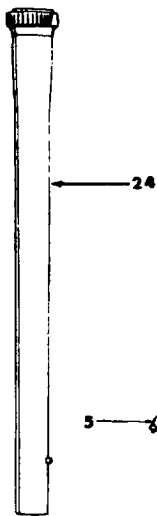
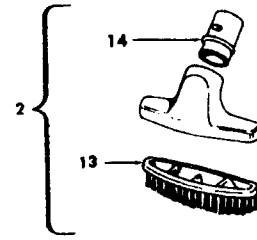
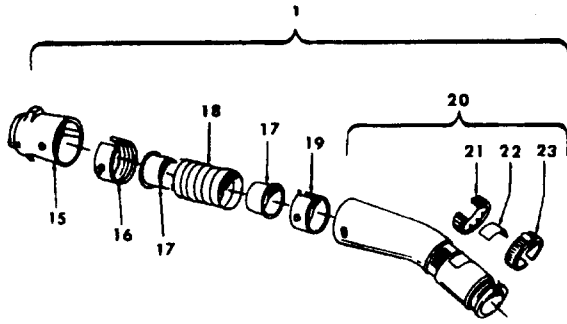
S3073, S3073-030, S3079, S3079-030, S3079-035, S3081,
 S3083, S3083-030, S3093, S3121, S3123, S3125, S3125-030,
 S3127, S3131, S3131-030, S3133, S3135, S3147, S3149, S3159
 S3161, S3165, S3167, S3169, S3215



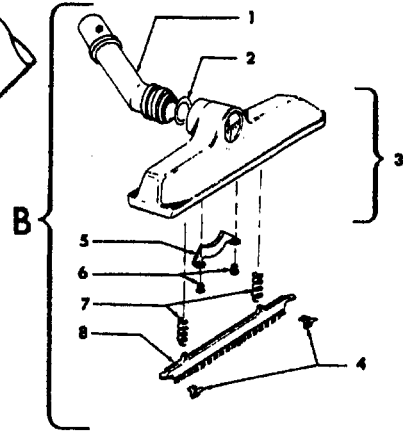
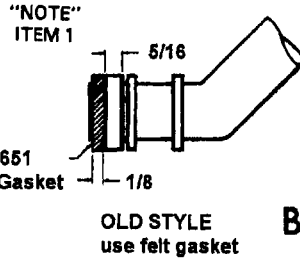
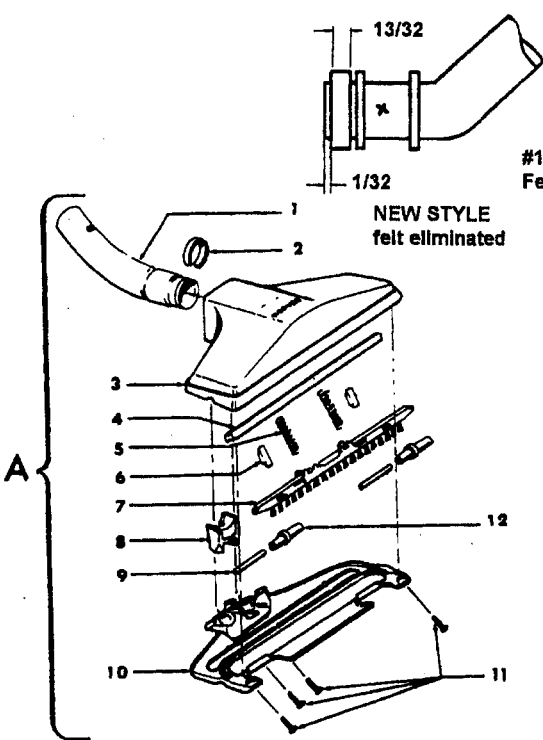
| Ref. No. | Part No. | Description |
|----------|----------|---|
| 1 | 33421004 | + Field Lamination Bolt |
| 2 | 21429406 | * Screw |
| 3 | 167696AG | Brush Housing - Only |
| 4 | N/A | Brush Holder - Use Brush Carrier Assem. 47318008 It. 6. |
| 5 | 167681 | Carbon Brush & Terminal |
| 6 | 47318008 | Brush Housing - Comp. |
| 7 | 27666551 | * Terminal |
| 8 | 38353004 | Spring |
| 9 | 169707 | Motor Housing - Upper |
| 10 | 168479 | Armature |
| 11 | 168470 | + Field |
| 12 | 167721FW | Spring |
| 13 | 169702BZ | + Bushing |
| 14 | 169713FW | Motor Mounting Plate |
| 15 | 167695EF | Nut |
| 16 | 21312774 | + Washer |
| 17 | 43566006 | + Fan |
| 18 | 34785004 | Spring Clip |
| 19 | 169714AG | + Diffuser |
| 20 | 33426001 | Nut |
| 21 | 31148002 | Spacer |
| 22 | 41823002 | Motor Housing - Lower |

Cleaning Tools

Models S3121, S3123, S3125, S3125-035, S3129
S3165, S3169, S3171

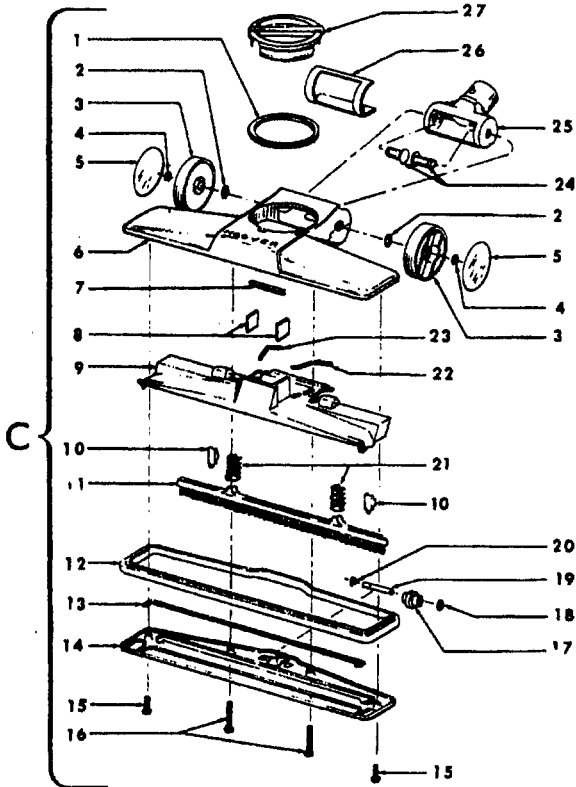


| Ref. No. | Part No. | Description |
|----------|----------|------------------------------------|
| 1 | 43434191 | Hose - JM |
| 2 | 161852JM | + Furniture Brush |
| | 43414016 | Furniture Brush - AG |
| 3 | 13077JM | + Floor Brush |
| | 43414073 | Floor Brush |
| 4 | 161851JM | + Dusting Brush |
| | 43414064 | Dusting Brush (One Piece) |
| 5 | 43414057 | Furniture Nozzle |
| 6 | 38617017 | Crevice Tool |
| 7 | 43453027 | Extension Tube |
| 8 | 12845JM | Gasket |
| 9 | 13263 | + Brush (Use w/161851JM) |
| 10 | 13253AG | + Brush Back |
| 11 | 13276 | Swivel Bushing (2) (Use w/13154JM) |
| | 33712007 | Split Ring (Use w/38644040) |
| 12 | 13154JM | + Swivel Connector (Use w/13077JM) |
| | 38644040 | Swivel Connector (Use w/48473025) |
| 13 | 13254BZ | + Brush (Use w/161852JM) |
| 14 | 13149JM | Connector Tube (Use w/161852JM) |
| 15 | 32855003 | Hose Connector |
| 16 | 12615BZ | Collar |
| 17 | 32156010 | Sleeve |
| 18 | 43434213 | Hose Complete |
| | 43434203 | Hose Complete |
| 19 | 36116006 | Collar |
| 20 | 43466044 | Hose Grip-JM |
| 21 | 38711006 | Suction Control Ring |
| 22 | 51869006 | Label |
| 23 | 36153009 | Latch Ring |
| 24 | 3863801P | Extension Tube - Poly - AG |
| | 170110 | + Shag Rake- S3165 |



| | | |
|----|----------|--|
| A | 43414101 | + Rug & Floor Nozzle - AAP - S3125, S3125-035, S3171 |
| 1 | 43463012 | + Connector Tube |
| 2 | 13267 | +* Felt Gasket |
| 3 | 38615156 | + Nozzle Body - JM |
| 4 | 13259PH | + Litter Picker |
| 5 | 15963FW | + Spring |
| 6 | 13261AY | * Rib Shoe |
| 7 | 16184 | + Brush Back |
| 8 | 161413 | +* Tube Retainer |
| 9 | 13272 | + Roller Shaft |
| 10 | 42246002 | + Bottom Plate |
| 11 | 12955 | * Screw |
| 12 | 13157AG | + Roller |

| | | |
|---|----------|--|
| B | N/A | Rug & Floor Nozzle AAP - S3121, S3123, S3165, S3169 - (Use 4341401P) |
| 1 | 166652JM | Nozzle Tube (See Note) |
| 2 | 166651 | Gasket |
| 3 | 43414089 | Nozzle Body - JM |
| 4 | 166646 | Brush Retainer |
| 5 | 166650AY | + Tube Clamp |
| 6 | 166648AW | + Screw |
| 7 | 166649FW | Spring |
| 8 | 166656 | Brush Back |



| | | |
|----|----------|------------------------------------|
| C | 43414101 | + Rug & Floor Nozzle - AAP - S3129 |
| 1 | 34113001 | + Foam Seal |
| 2 | 169241AW | * Washer |
| 3 | 169239AG | Wheel |
| 4 | 13730 | * Lock Ring |
| 5 | 169242 | Wheel Cover |
| 6 | 38615160 | Nozzle Body - JM |
| 7 | 34112001 | * Foam Seal |
| 8 | 34223002 | + Felt Seal |
| 9 | 169250AG | + Brush Housing |
| 10 | 169253AY | + Rib Shoe |
| 11 | 169256 | + Brush Back |
| 12 | 169247JM | + Furniture Guard |
| 13 | 169251 | + Gasket |
| 14 | 169538 | + Bottom Plate |
| 15 | 21481464 | + Screw |
| 16 | 21481465 | + Screw |
| 17 | 169243AG | Roller |
| 18 | 21312758 | +* Washer |
| 19 | 169244AW | Roller Shaft |
| 20 | 24735081 | * Lock Ring |
| 21 | 166649FW | Spring |
| 22 | 34513001 | Foam Seal - L.H. |
| 23 | 34513002 | Foam Seal - R.H. |
| 24 | 169240AY | + Wheel Shaft |
| 25 | 169249JM | + Connector Tube |
| 26 | 34122006 | Seal |
| 27 | 169254JM | + Control Knob |