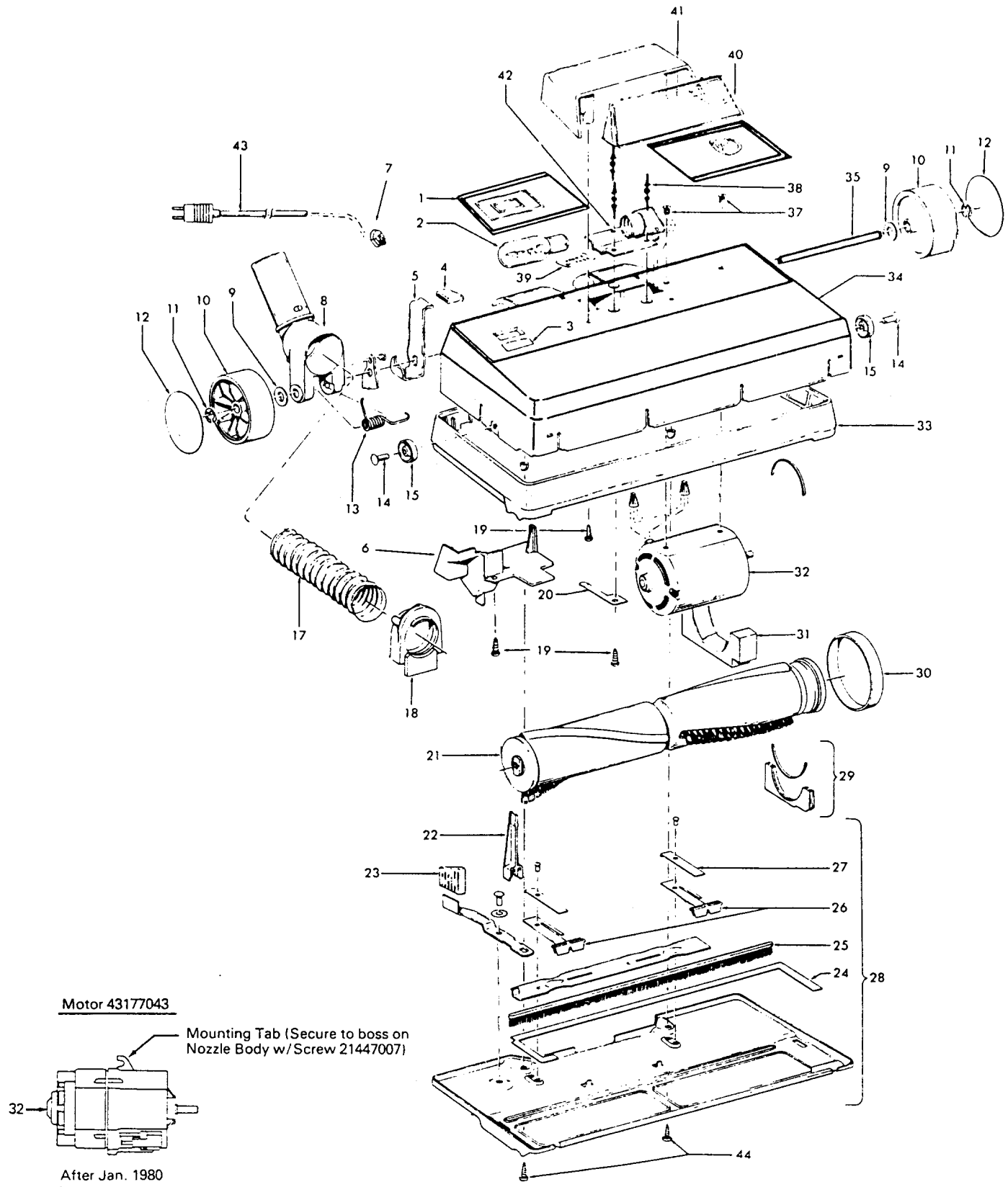


# Powered Nozzle

Models S3131, S3131-030, S3133, S3135, S3137, S3139, S3139-035, S3141, S3153, S3173



**Powered Nozzle**

**Models S3131, S3131-030, S3133, S3135, S3137  
S3139, S3139-035, S3141, S3153, S3173**

Ref. No.	Part No.	Description
1	52125021	+ Nameplate - S3131, S3131-030
	52125032	+ Nameplate - S3133
	51375018	+ Nameplate - S3135, S3139, S3139-035, S3141
	51375027	+ Nameplate - S3137
	51375025	+ Nameplate - S3139, S3139-035, S3141
	51375026	+ Nameplate - S3153
	51375040	Nameplate - S3173
2	27317307	Lamp - S3139, S3139-035, S3141, S3153
3	39382013	+ Indicator Lens - S3135, S3137, S3139, S3139-035, S3141, S3153
4	38426072	+ Foot Pad - JM
5	34664007	Release Lever
6	37943010	+ Cover
7	163768	Strain Relief
8	43468013	Nozzle
9	31155005	* Washer
10	38522001	Wheel
11	13730	* Lock Ring
12	169242	Wheel Cover
13	38355005	Torsion Spring
14	21256025	Rivet
15	32761001	Wheel
17	43431196	Hose
18	38638013	Hose Adapter
19	21429404	+ Screw
20	35412003	Spring
21	48416004	Agitator
22	51151031	+ Indicator - JM
23	38426080	Foot Pad
24	34123001	Seal
25	48443001	Brush - S3135, S3137, S3139, S3139-035, S3141, S3153
26	36952008	Brush Support
27	34654003	Spring
28	42246007	+ Bottom Plate
	42246003	Bottom Plate - S3135, S3137, S3139, S3139-035, S3141, S3153
29	43548001	+ Agitator Seal
30	38528009	Belt

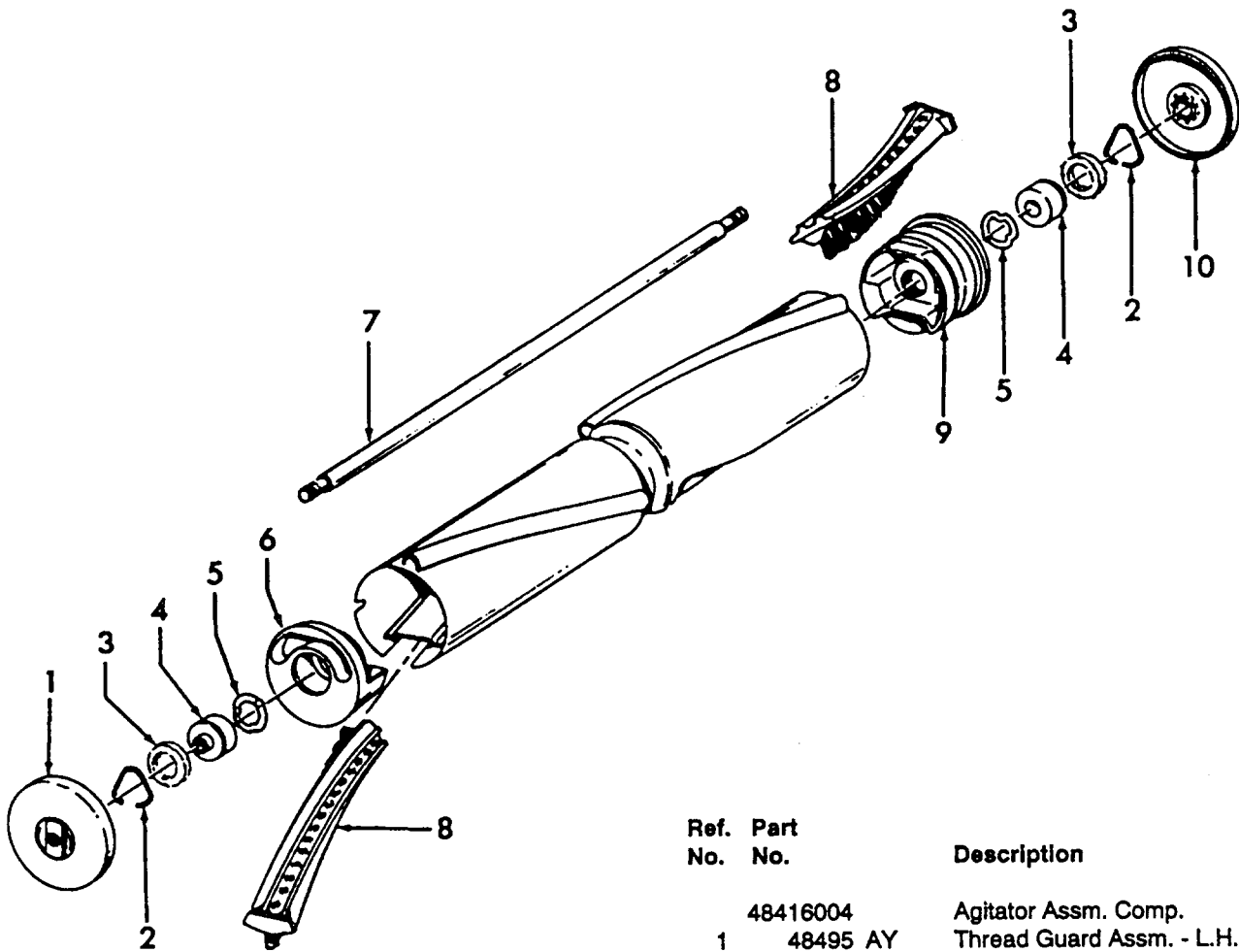
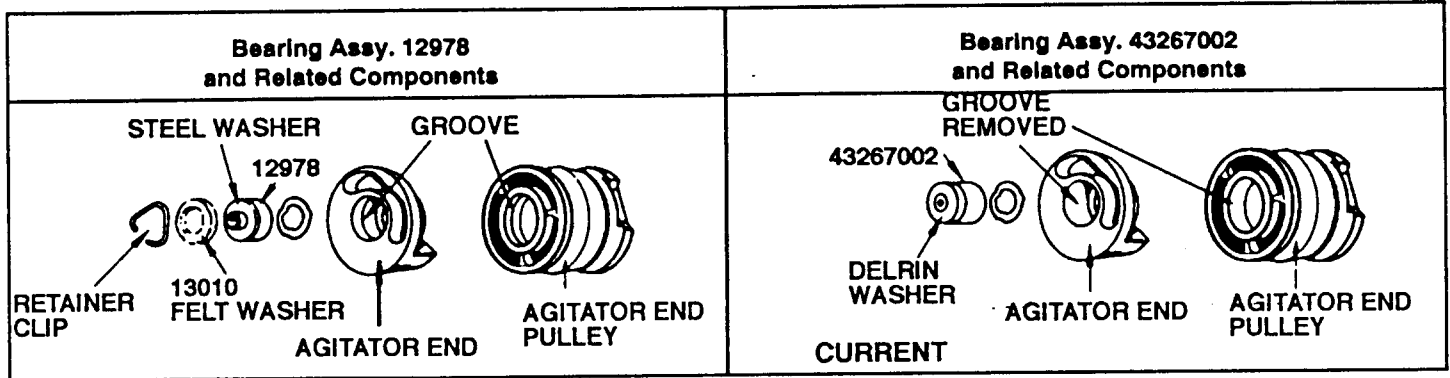
Ref. No.	Part No.	Description
31	38781003	Dirt Seal - Prior to Jan. 1980 (Use w/27212011 Motor)
	34284001	+ Motor Baffle - After Jan. 1980 (Use w/43177073 Motor)
32	27212011	+ Motor - Prior to Jan. 1980 (Use w/21434224 Screw (2))
	43177073	Motor w/Mounting Tab - After Jan. 1980 (Use w/21447007 Screw (1))
33	36235002	Furniture Guard - JM - S3131, S3131-030, S3135, S3139, S3139-035, S3141
	42241041	Nozzle Body - JM
35	32543002	Wheel Shaft
37	21434224	+* Screw (2) - Prior to Jan. 1980 (Use w/27212011 Motor)
	21447007	* Screw (1) - After Jan. 1980 (Use w/43177073 Motor)
38	36218005	Insulation Grommet
39	51638007	Handle Release Label
	51639026	+ Handle Release Label - S3139, S3139-035, S3141
	51639027	+ Handle Release Label - S3153
40	39383016	Lens - KC
41	42252001	Housing Assembly
42	27171002	+ Lamp Socket
43	46321002	Attachment Cord - AG
44	21447003	* Screw

**ITEMS NOT ILLUSTRATED**

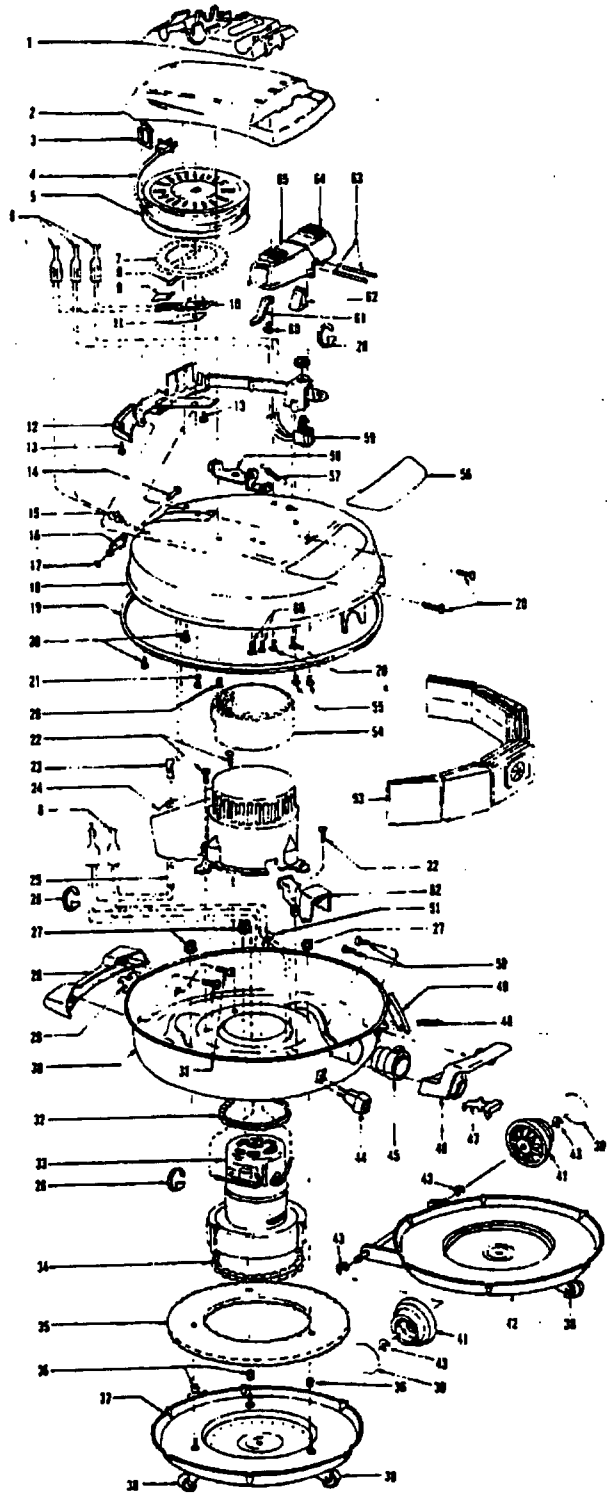
46348016	Cord Set - S3131-030
48438011	+ P.N. Assm. - S3133
48438012	+ P.N. Assm. - S3131, S3131-030
48438055	P.N. Assm. - S3139, S3139-035, S3141, S3153, S3173
48438014	+ P.N. Assm. - S3137
48438015	+ P.N. Assm. - S3135
48438084	P.N. w/o Lens & Nameplate
34618017	Bracket Assm. (Use w/27212011 (Plastic Case) when installing on old style Nozzle Body with two mounting holes.

# Agitator

Models S3057, S3059, S3059-030, S3061, S3061-030, S3077, S3079, S3079-030, S3079-035, S3081, S3083, S3083-030, S3093, S3127, S3131, S3131-030, S3133, S3135, S3137, S3139, S3139-035, S3141, S3147, S3149, S3153, S3161, S3173



Ref. No.	Part No.	Description
	48416004	Agitator Assm. Comp.
1	48495 AY	Thread Guard Assm. - L.H.
2	12987	+* Retainer Clip (2)
3	13010	* Washer - Felt (2)
4	12978	Agitator Bearing Assm. (2) (Use w/Item 2 & 3)
	43267002	Agitator Bearing Assm. (2) (Current)
5	21347003	* Washer (2)
6	160542	Agitator End Assm.
7	160070	Agitator Shaft
8	160646 BZ	Agitator Brush Back Assm. (2)
9	160538	Agitator End Pulley
10	12985 AY	Agitator Thread Guard Assm. - R.H.



**Celebrity IV**

**Models S3137, S3139, S3139-035**

Ref. No.	Part No.	Description
1	36433031	Tool Rack - LB - S3137
	36433034	Tool Rack - S3139, S3139-035
2	37215125	+ Cord Reel Cover - LB - S3137
	37215124	+ Cord Reel Cover - KX - S3139, S3139-035
3	36218014	+ Cord Guide - LZ
4	46383068	Attach. Cord - AG - S3137
	46383308	Attach. Cord - AG - S3139, S3139-035
5	46831106	Cord Reel - AAP
6	48969	* Wire Nut
7	31193010	+ Seal
8	21366004	* Speed Nut
9	34141004	+* Wire Shield
10	47348045	Brush Block
11	34135006	+ Brush Block Insulator
12	37215135	+ Cover Plate - LB - S3137
	37215133	+ Cover Plate - KX - S3139, S3139-035
13	21447003	* Screw
14	47938	* Hinge Pin
15	27482126	Strain Relief
16	35214004	Hinge Leaf - Upper
17	48123AV	+* Lock Ring
18	42211304	+ Upper Shell - LB - S3137
	42211302	+ Upper Shell - KX - S3139, S3139-035
19	170361JM	+ Furniture Guard
	170361KY	+ Furniture Guard
20	21447014	* Screw
21	21447003	* Screw
22	17001FW	* Screw
23	27482227	Strain Relief
24	37196070	Motor Cover - JM
25	46311142	Pigtail Cord - AAP
26	27479307	* Wire Tie
27	21652003	+ Hex Nut
28	36921008	+ Rest Pad - JJ
	36921009	+ Rest Pad - JR
29	170348AW	+ Hinge Leaf - Lower
30	42213331	+ Intermediate Shell - JJ
31	21447014	* Screw
32	169293	Resilient Mount - Upper
33	43577101	Motor - S3137 - 2.6 - (P-90)
	43577074	+ Motor - S3139, S3139-035 - 3.7 - (P-60)
34	169294	Resilient Mount - Lower

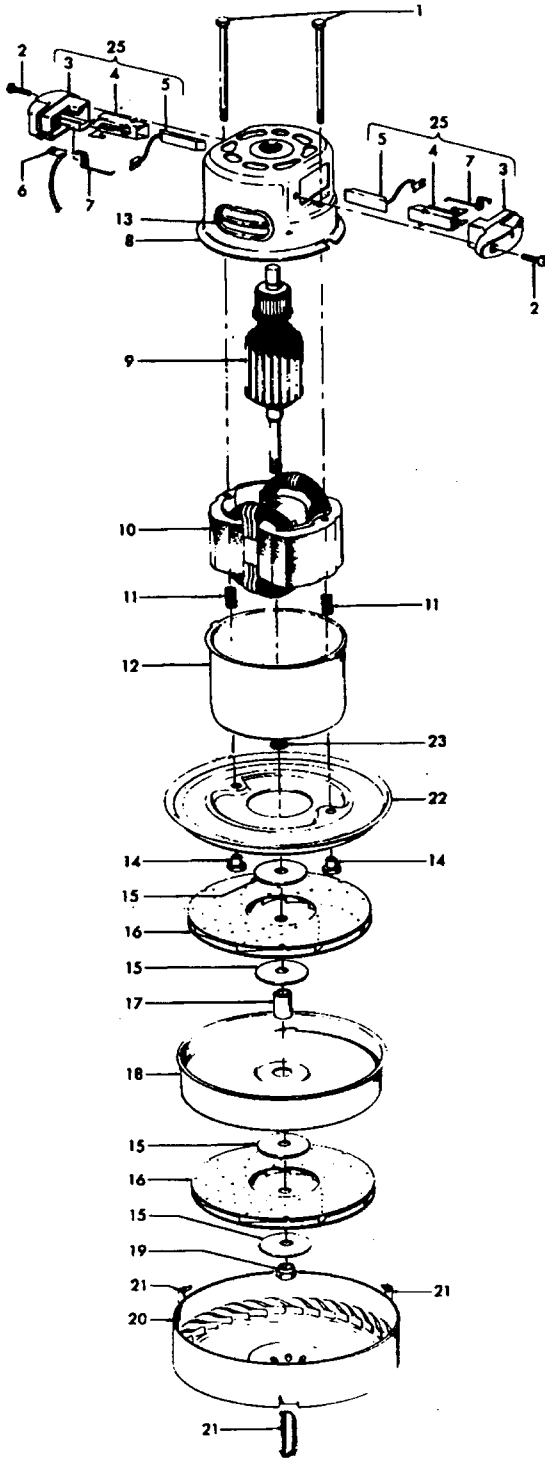
Ref. No.	Part No.	Description
35	31114008	+ Muffler
36	31721025	+ Spacer
37	41421298	Bottom Pan - JJ - S3137
38	23737202	Caster Wheel
39	169242	Wheel Cover
41	38522032	Rear Wheel
42	41421311	+ Bottom Pan - JJ
43	13730	* Lock Ring
44	46326096	+ Receptacle - AAP
45	170352AG	Bag Collar
46	39457006	+ Handle - JM
	39457012	+ Handle - JR
47	36151012	Latch
48	48512FW	+ Spring
49	16439JX	+ Latch
	16439EW	+ Latch
50	160862	+* Screw
51	34723001	Retainer Clip
52	37959020	+ Wire Cover - JM
53	4010009H	Paper Bag (3 Pk.)
54	38764006	Filter
55	21447009	* Screw
56	52125025	+ Name Plate - S3137
	52125026	+ Name Plate - S3139, S3139-035
57	38332001	+ Spring
58	43138024	+ Brake Assm. w/Pad
59	28212008	+ Switch
60	21447017	+* Screw
61	34661007	+ Brake Pedal Cam
62	34783003	Spring
63	31514004	+ Shaft
64	38433051	+ Switch Pedal - JJ - S3137
	38433030	+ Switch Pedal - BP - S3139, S3139-035
65	38433058	+ Brake Pedal - LU - S3137
	38433060	+ Brake Pedal - S3139, S3139-035
66	38198	+ Screw

**ITEMS NOT ILLUSTRATED**

46831076	Commutator (Component of Cord Reel Assm.)
56513105	+ Owner Manual
58185091	+ Carton - Celebrity w/ Power. Nozzle
58254001	+ Front Bottom Support
58336001	+ Rear Bottom Support
58346003	+ Top Support

# Celebrity Motor

## Motor - 1 Speed - 43577074 (3.7) Motor - 2 Speed - 43577093 (3.7)



43577093 Motor Comp. - S3153, S3141  
43577074 + Motor Comp. - S3059, S3059-030, S3061, S3061-030, S3077, S3139, S3139-035, S3173, S3217, S3219, S3233

Ref. No.	Part No.	Description
1	12022	Field Bolt
2	21429406	* Screw
3	168038	Brush Carrier
4	168506-	Brush Holder
5	167679	Carbon Brush
6	27666551	* Terminal
7	38353004	Spring
8	169706	Motor Housing - Upper
9	44765106	Armature
10	45311018	+ Field - 2 Speed - 3.7
	45311022	+ Field - 1 Speed - 3.7
11	167721FW	Spring
12	41823001	Motor Housing - Lower
13	169702BZ	+ Bushing
14	167695EF	Nut
15	21312774	+ Washer
16	43566006	+ Fan
17	31732003	Spacer
18	169712	+ Interstage
19	33426001	Nut
20	37218005	Diffuser
21	34786002	Spring Clip
22	169713FW	Mounting Plate
23	31148002	Spacer
25	168506	Brush Carrier Assm.

# Cleaning Tools

# Models S3131, S3131-030, S3133, S3135, S3137 S3139, S3139-035, S3141, S3153, S3173

Ref. No.	Part No.	Description
1	43434191	Hose - ABX - S3131
	161852JM	+ Furniture Brush
	43414016	Furniture Brush - AG
3	13077JM	+ Floor Brush
	43414073	Floor Brush
4	161851JM	+ Dusting Brush
	43414064	Dusting Brush (One Piece)
5	43414057	Furniture Nozzle
6	38617017	Crevice Tool
7	43453052	Ext. Tube - 20 - AX
	43453088	Ext. Tube (2) (17")
	43453086	+ Ext. Tube (1) (22")
8	43433085	Current Carrying Hose - AAP
9	13263	+ Brush (Use w/ 61851 JM)
10	13253AG	+ Brush
11	13276	Swivel Bushing (2) (Use w/13154JM)
	33712007	Split Ring (Use w/38644040)
12	13154	+ Swivel Connector (Use w/13077JM)
	38644040	Swivel Connector (Use w/48473025)
14	13149JM	Connector Tube (Use w/161852JM)

Ref. No.	Part No.	Description
15	32855003	Hose Connector
16	12615BZ	Collar
17	32156010	Hose Sleeve
18	43434213	Hose Complete
19	36116006	Collar
20	43466044	Hose Grip - JM
21	38711006	Suction Control Ring
22	51869006	Label
23	36153009	Latch Ring
24	12783	+* Rivet
25	36171005	Cord Clip
26	12845JM	Gasket
27	13275	+* Screw
28	13142AG	Suction Control
29	13257BZ	Support
30	43468055	Hose Tube (Early) 17"
	43453023	Hose Tube Curved - AX - 20
31	36153009	Latch Ring
32	46321076	Cord Repair Kit

