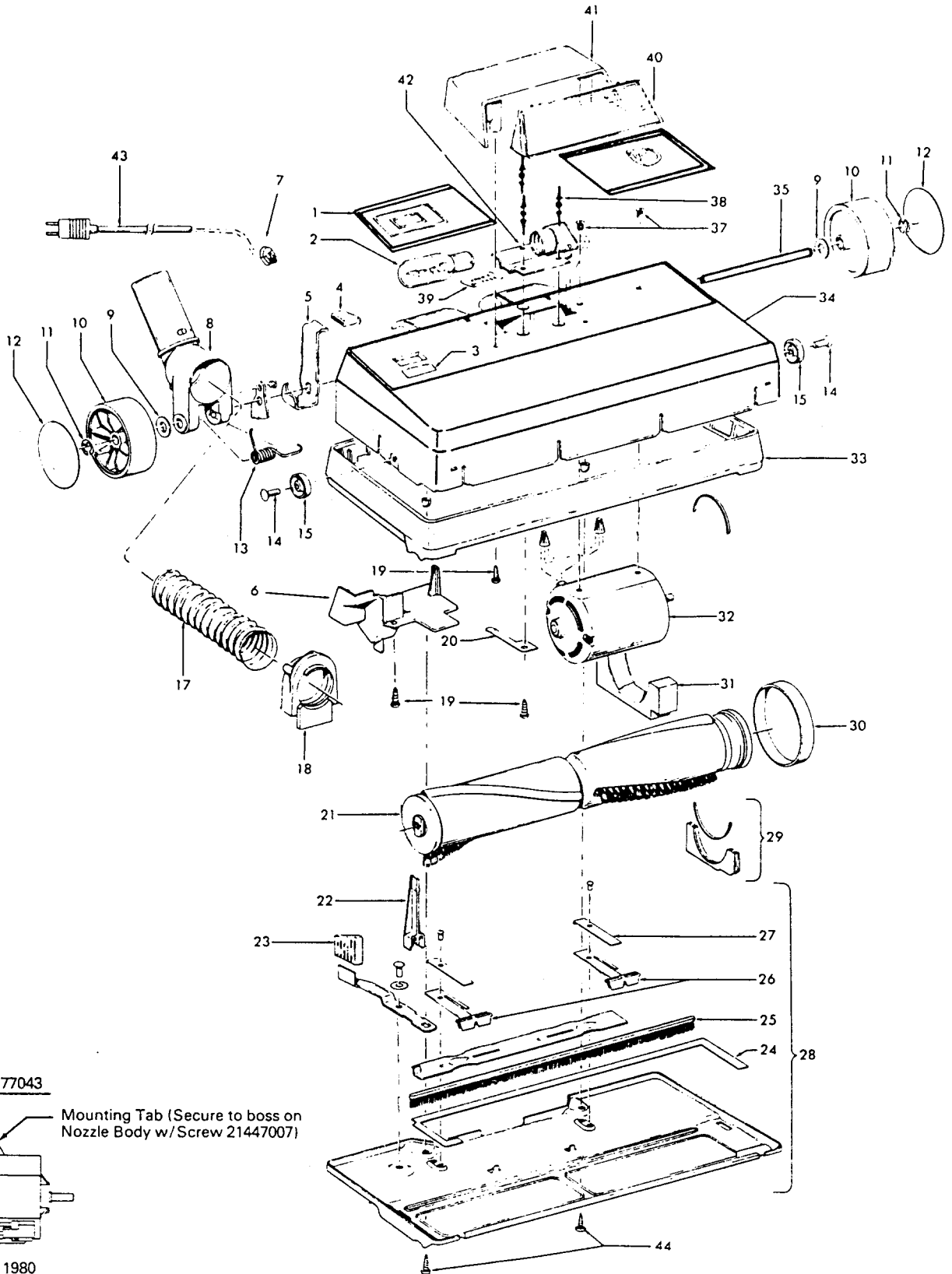


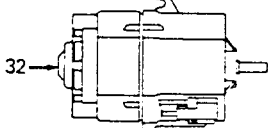
Powered Nozzle

Models S3131, S3131-030, S3133, S3135, S3137, S3139, S3139-035, S3141, S3153, S3173



Motor 43177043

Mounting Tab (Secure to boss on Nozzle Body w/ Screw 21447007)



After Jan. 1980

Powered Nozzle

**Models S3131, S3131-030, S3133, S3135, S3137
S3139, S3139-035, S3141, S3153, S3173**

Ref. No.	Part No.	Description
1	52125021	+ Nameplate - S3131, S3131-030
	52125032	+ Nameplate - S3133
	51375018	+ Nameplate - S3135, S3139, S3139-035, S3141
	51375027	+ Nameplate - S3137
	51375025	+ Nameplate - S3139, S3139-035, S3141
	51375026	+ Nameplate - S3153
	51375040	Nameplate - S3173
2	27317307	Lamp - S3139, S3139-035, S3141, S3153
3	39382013	+ Indicator Lens - S3135, S3137, S3139, S3139-035, S3141, S3153
4	38426072	+ Foot Pad - JM
5	34664007	Release Lever
6	37943010	+ Cover
7	163768	Strain Relief
8	43468013	Nozzle
9	31155005	* Washer
10	38522001	Wheel
11	13730	* Lock Ring
12	169242	Wheel Cover
13	38355005	Torsion Spring
14	21256025	Rivet
15	32761001	Wheel
17	43431196	Hose
18	38638013	Hose Adapter
19	21429404	+ Screw
20	35412003	Spring
21	48416004	Agitator
22	51151031	+ Indicator - JM
23	38426080	Foot Pad
24	34123001	Seal
25	48443001	Brush - S3135, S3137, S3139, S3139-035, S3141, S3153
26	36952008	Brush Support
27	34654003	Spring
28	42246007	+ Bottom Plate
	42246003	Bottom Plate - S3135, S3137, S3139, S3139-035, S3141, S3153
29	43548001	+ Agitator Seal
30	38528009	Belt

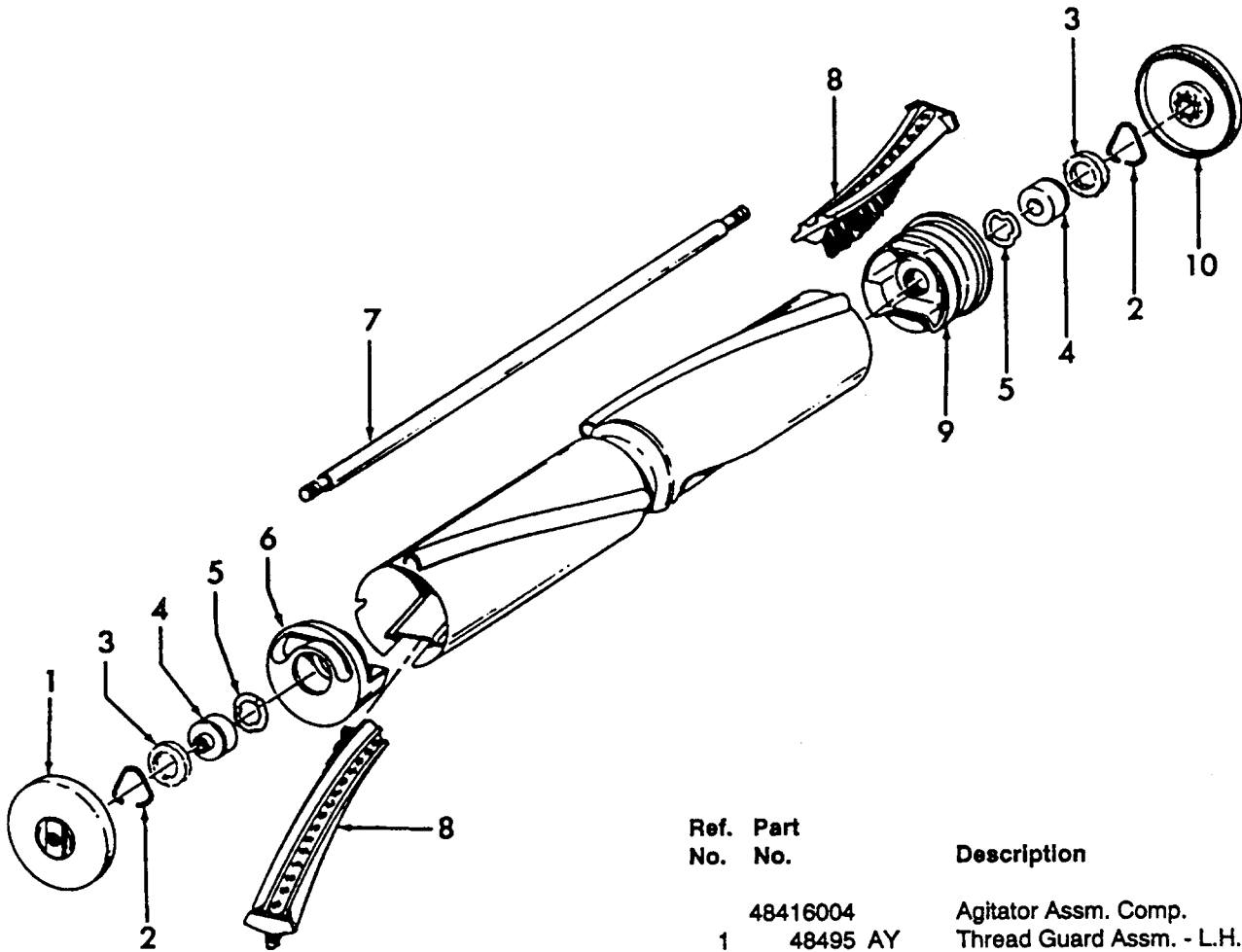
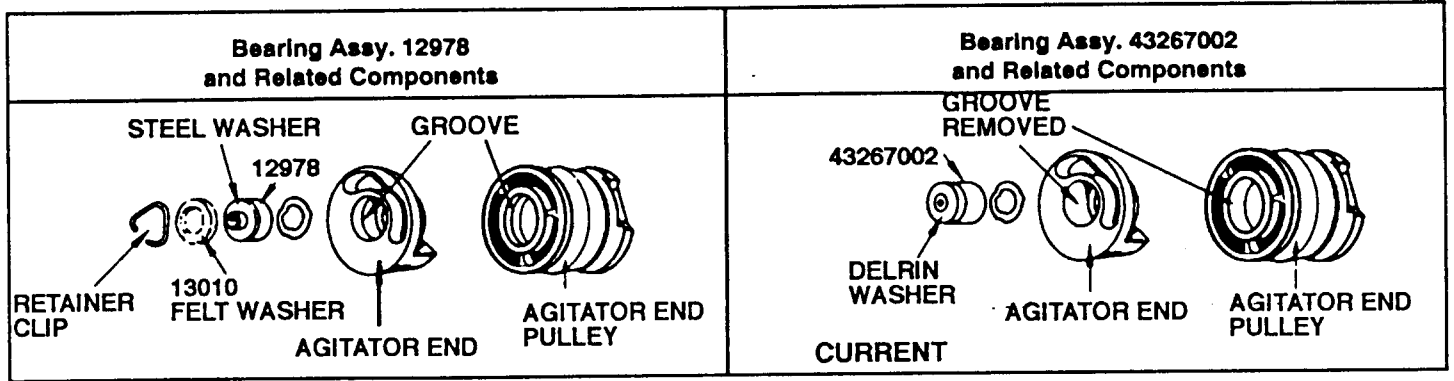
Ref. No.	Part No.	Description
31	38781003	Dirt Seal - Prior to Jan. 1980 (Use w/27212011 Motor)
	34284001	+ Motor Baffle - After Jan. 1980 (Use w/43177073 Motor)
32	27212011	+ Motor - Prior to Jan. 1980 (Use w/21434224 Screw (2))
	43177073	Motor w/Mounting Tab - After Jan. 1980 (Use w/21447007 Screw (1))
33	36235002	Furniture Guard - JM - S3131, S3131-030, S3135, S3139, S3139-035, S3141
34	42241041	Nozzle Body - JM
35	32543002	Wheel Shaft
37	21434224	+* Screw (2) - Prior to Jan. 1980 (Use w/27212011 Motor)
	21447007	* Screw (1) - After Jan. 1980 (Use w/43177073 Motor)
38	36218005	Insulation Grommet
39	51638007	Handle Release Label
	51639026	+ Handle Release Label - S3139, S3139-035, S3141
	51639027	+ Handle Release Label - S3153
40	39383016	Lens - KC
41	42252001	Housing Assembly
42	27171002	+ Lamp Socket
43	46321002	Attachment Cord - AG
44	21447003	* Screw

ITEMS NOT ILLUSTRATED

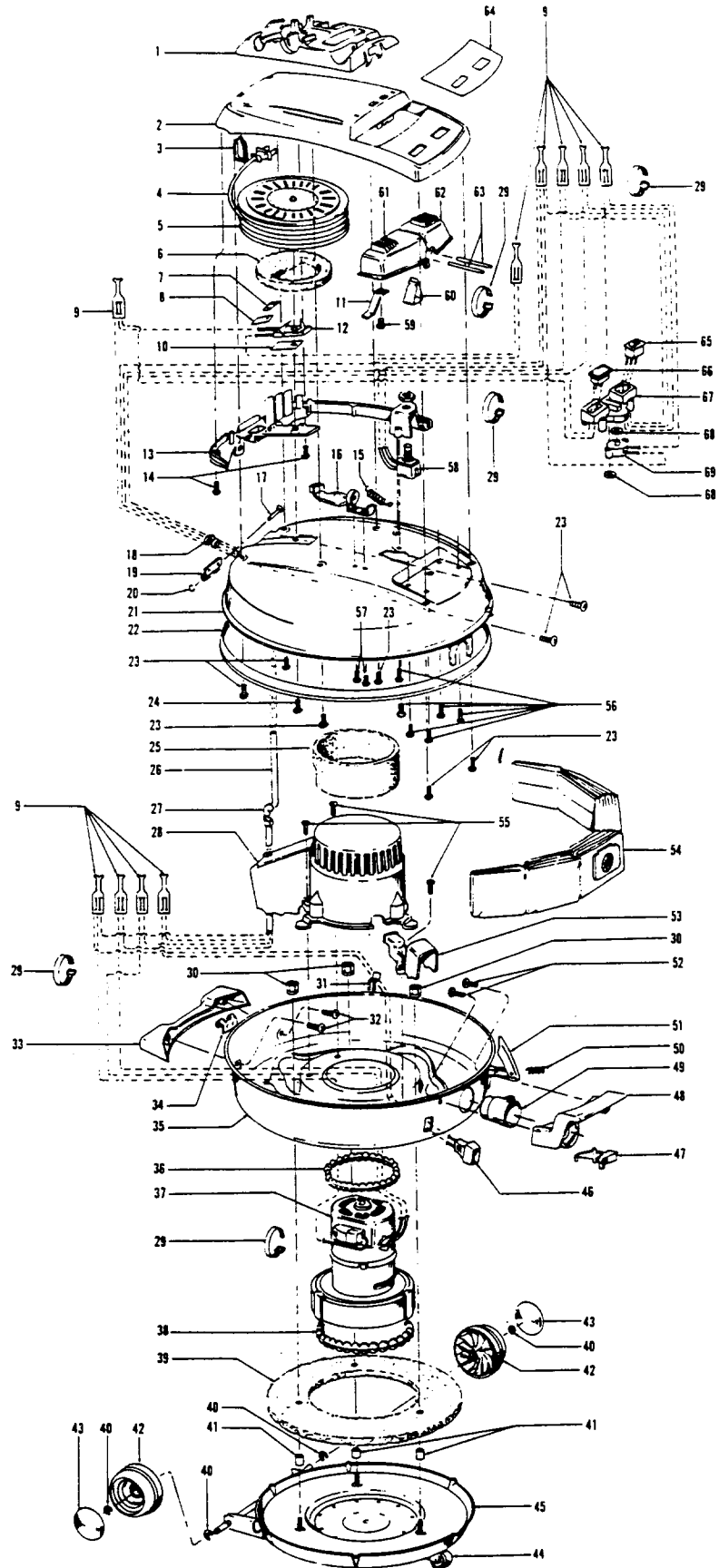
46348016	Cord Set - S3131-030
48438011	+ P.N. Assm. - S3133
48438012	+ P.N. Assm. - S3131, S3131-030
48438055	P.N. Assm. - S3139, S3139-035, S3141, S3153, S3173
48438014	+ P.N. Assm. - S3137
48438015	+ P.N. Assm. - S3135
48438084	P.N. w/o Lens & Nameplate
34618017	Bracket Assm. (Use w/27212011 (Plastic Case) when installing on old style Nozzle Body with two mounting holes.

Agitator

Models S3057, S3059, S3059-030, S3061, S3061-030, S3077, S3079, S3079-030, S3079-035, S3081, S3083, S3083-030, S3093, S3127, S3131, S3131-030, S3133, S3135, S3137, S3139, S3139-035, S3141, S3147, S3149, S3153, S3161, S3173



Ref. No.	Part No.	Description
	48416004	Agitator Assm. Comp.
1	48495 AY	Thread Guard Assm. - L.H.
2	12987	+* Retainer Clip (2)
3	13010	* Washer - Felt (2)
4	12978	Agitator Bearing Assm. (2) (Use w/Item 2 & 3)
	43267002	Agitator Bearing Assm. (2) (Current)
5	21347003	* Washer (2)
6	160542	Agitator End Assm.
7	160070	Agitator Shaft
8	160646 BZ	Agitator Brush Back Assm. (2)
9	160538	Agitator End Pulley
10	12985 AY	Agitator Thread Guard Assm. - R.H.



Ref. No.	Part No.	Description
1	36433034	Tool Rack - S3141
	36433031	Tool Rack - LB - S3153
2	37215117	+ Cord Reel Cover - LZ
	37215115	Cord Reel Cover - LB
3	36218014	+ Cord Guide - LZ
4	46383308	Attach. Cord - AG
5	46831106	Cord Reel - AG
6	31193010	+ Seal
7	21366004	* Speed Nut
8	34141004	+* Wire Shield
9	48969	* Wire Nut
10	34135006	+ Brush Block Insulator
11	34661007	+ Brake Pedal Cam
12	47348045	Brush Block
13	37215133	+ Cover Plate - KX - S3141
	37215135	Cover Plate - LB - S3153
14	21447003	* Screw
15	38332001	+ Spring
16	43138024	+ Brake Assm. w/Pad
17	47938	* Hinge Pin
18	27482126	Strain Relief
19	35214004	Hinge Leaf - Upper
20	48123AV	+* Lock Ring
21	42211267	+ Upper Shell - AX
22	170361KY	+ Furniture Guard
	170361JM	+ Furniture Guard
24	21447003	* Screw
25	38764006	Filter
26	46611005	+ Pigtail Cord
27	27482227	Strain Relief
28	37196070	Motor Cover - JM
29	27479307	* Wire Tie
30	21652003	+ Hex Nut
31	34723001	Retainer Clip
32	21447014	* Screw
33	36921009	+ Rest Pad - JR
	36921008	+ Rest Pad - JJ
34	170348AV	+ Hinge Leaf - Lower
35	42213331	+ Intermediate Shell
36	169293	Resilient Mount - Upper
37	43577093	Motor Assm.
38	169294	Resilient Mount - Lower
39	31114008	+ Muffler
40	13730	* Lock Ring
41	31721025	+ Spacer

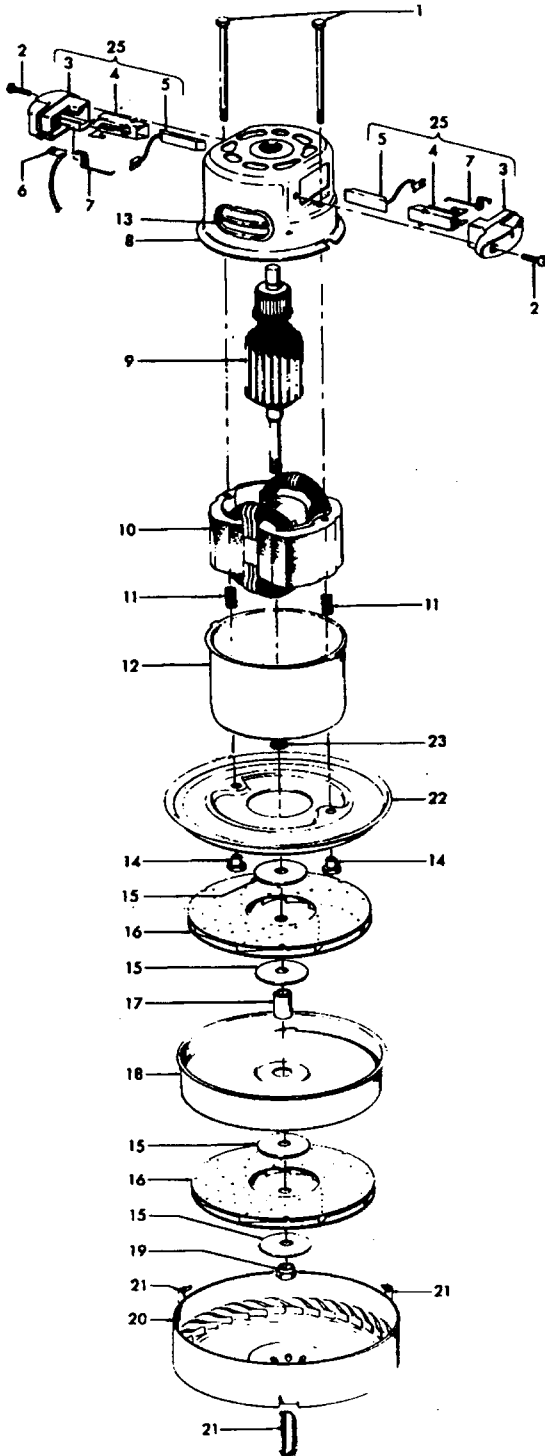
Ref. No.	Part No.	Description
42	38522032	Rear Wheel
	38522018	+ Rear Wheel - LY
43	169242	Wheel Cover
44	23737202	Caster Wheel
45	41421311	+ Bottom Pan - JJ
46	46326096	+ Receptacle - AAP
47	36151012	Latch
48	39457012	+ Handle - JR
	39457006	+ Handle - JM
49	170352AG	Bag Collar Connector
50	48512FW	+ Spring
51	16439EW	+ Latch
	16439JX	+ Latch
52	21447024	+* Screw
53	37959020	+ Wire Cover - JM
54	4010009H	Paper Bag (3 Pk.)
55	17001FW	* Screw
56	21447009	* Screw
57	38198	+ Screw
58	28212004	Switch
59	21447017	+* Screw
60	34783003	Spring
61	38433060	+ Brake Pedal - S3141
	38433058	Brake Pedal - LU - S3153
62	38433030	Switch Pedal - BP - S3141
	38433051	+ Switch Pedal - JJ - S3153
63	31514004	+ Shaft
64	51375019	+ Name Plate - S3141
	51375024	+ Name Plate - S3153
65	28162006	Switch
66	27333004	Indicator Light
67	42914004	+ Switch Mount
68	31144003	+ Foam Seal
69	28375002	+ Vacuum Switch

ITEMS NOT ILLUSTRATED

46831076	Commutator (Component of Cord Reel Assm.)
56513106	+ Owner Manual
58185091	+ Carton - Celebrity w/Pow. Nozzle
58254001	+ Front Bottom Support
58336001	+ Rear Bottom Support
58346003	+ Top Support

Celebrity Motor

Motor - 1 Speed - 43577074 (3.7) Motor - 2 Speed - 43577093 (3.7)



43577093 Motor Comp. - S3153, S3141
43577074 + Motor Comp. - S3059, S3059-030, S3061, S3061-030, S3077, S3139, S3139-035, S3173, S3217, S3219, S3233

Ref. No.	Part No.	Description
1	12022	Field Bolt
2	21429406	* Screw
3	168038	Brush Carrier
4	168506-	Brush Holder
5	167679	Carbon Brush
6	27666551	* Terminal
7	38353004	Spring
8	169706	Motor Housing - Upper
9	44765106	Armature
10	45311018	+ Field - 2 Speed - 3.7
	45311022	+ Field - 1 Speed - 3.7
11	167721FW	Spring
12	41823001	Motor Housing - Lower
13	169702BZ	+ Bushing
14	167695EF	Nut
15	21312774	+ Washer
16	43566006	+ Fan
17	31732003	Spacer
18	169712	+ Interstage
19	33426001	Nut
20	37218005	Diffuser
21	34786002	Spring Clip
22	169713FW	Mounting Plate
23	31148002	Spacer
25	168506	Brush Carrier Assm.

Cleaning Tools

Models S3131, S3131-030, S3133, S3135, S3137 S3139, S3139-035, S3141, S3153, S3173

Ref. No.	Part No.	Description
1	43434191	Hose - ABX - S3131
	161852JM	+ Furniture Brush
	43414016	Furniture Brush - AG
3	13077JM	+ Floor Brush
	43414073	Floor Brush
4	161851JM	+ Dusting Brush
	43414064	Dusting Brush (One Piece)
5	43414057	Furniture Nozzle
6	38617017	Crevice Tool
7	43453052	Ext. Tube - 20 - AX
	43453088	Ext. Tube (2) (17")
	43453086	+ Ext. Tube (1) (22")
8	43433085	Current Carrying Hose - AAP
9	13263	+ Brush (Use w/ 61851 JM)
10	13253AG	+ Brush
11	13276	Swivel Bushing (2) (Use w/13154JM)
	33712007	Split Ring (Use w/38644040)
12	13154	+ Swivel Connector (Use w/13077JM)
	38644040	Swivel Connector (Use w/48473025)
14	13149JM	Connector Tube (Use w/161852JM)

Ref. No.	Part No.	Description
15	32855003	Hose Connector
16	12615BZ	Collar
17	32156010	Hose Sleeve
18	43434213	Hose Complete
19	36116006	Collar
20	43466044	Hose Grip - JM
21	38711006	Suction Control Ring
22	51869006	Label
23	36153009	Latch Ring
24	12783	+* Rivet
25	36171005	Cord Clip
26	12845JM	Gasket
27	13275	+* Screw
28	13142AG	Suction Control
29	13257BZ	Support
30	43468055	Hose Tube (Early) 17"
	43453023	Hose Tube Curved - AX - 20
31	36153009	Latch Ring
32	46321076	Cord Repair Kit

