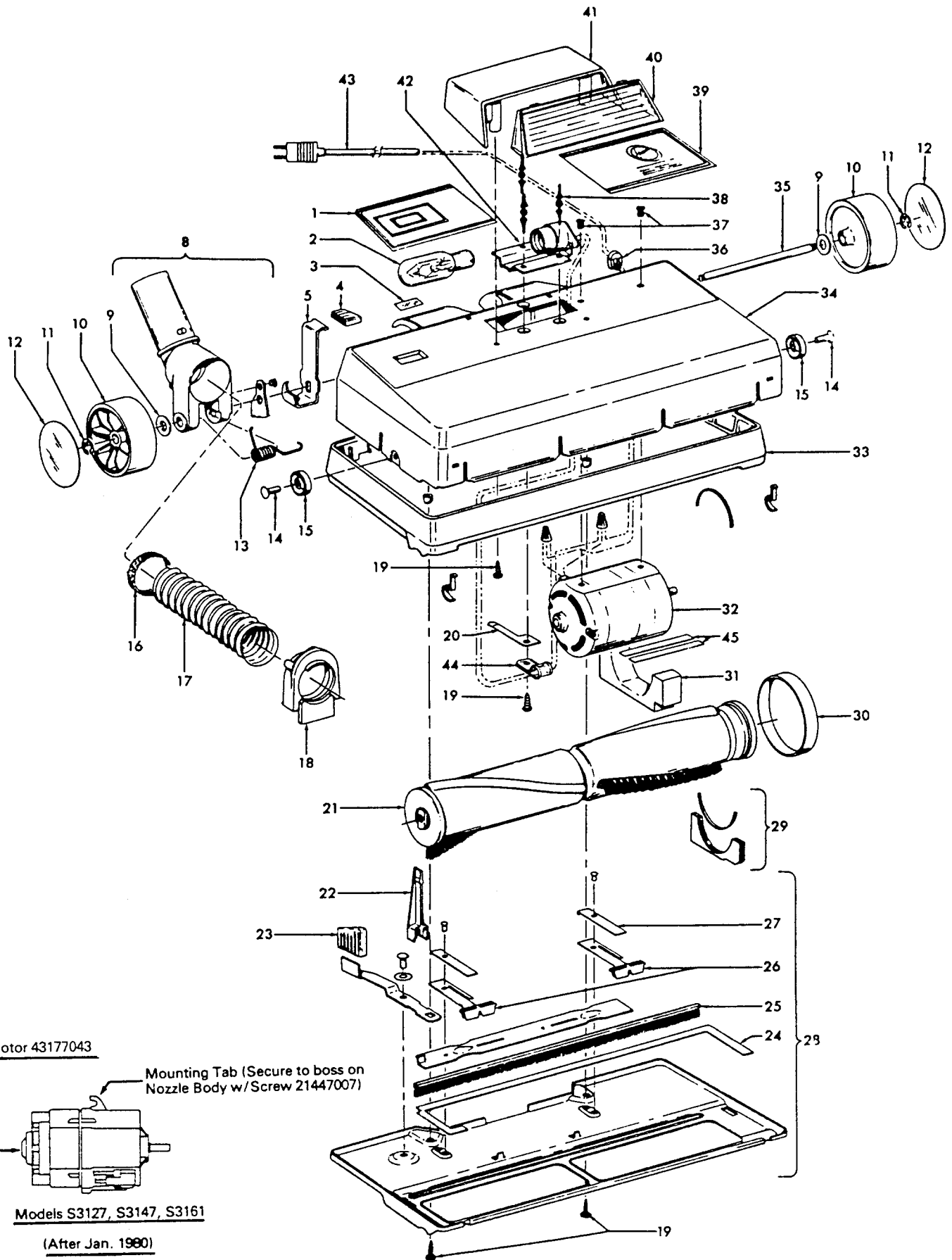


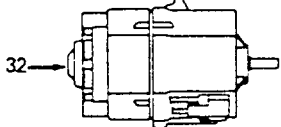
Powermatic Nozzle

Models S3057, S3059, S3059-030, S3061, S3061-030, S3077, S3079, S3079-030, S3079-035, S3081, S3083, S3083-030, S3093, S3127, S3147, S3149, S3161



Motor 43177043

Mounting Tab (Secure to boss on Nozzle Body w/ Screw 21447007)



Models S3127, S3147, S3161

(After Jan. 1980)

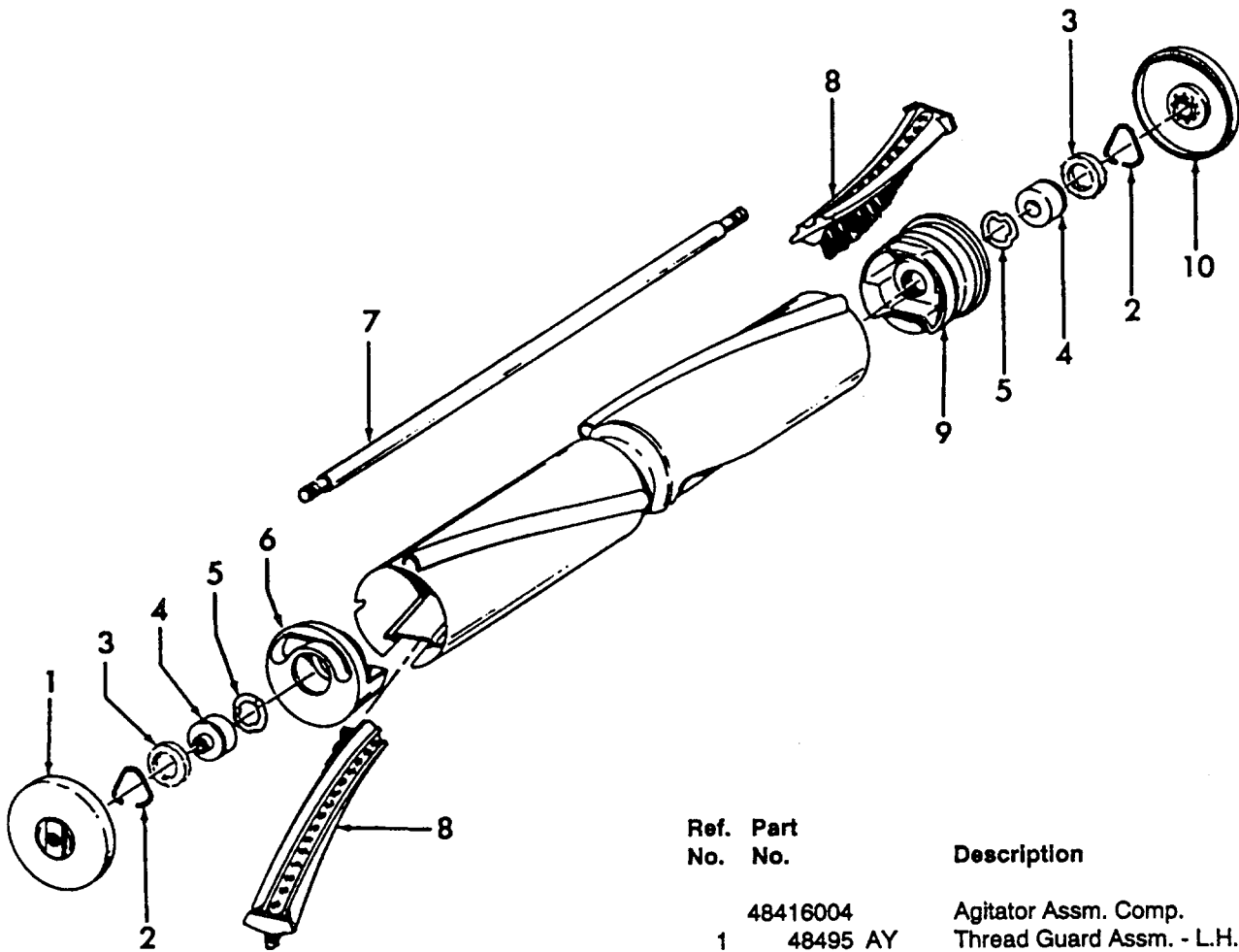
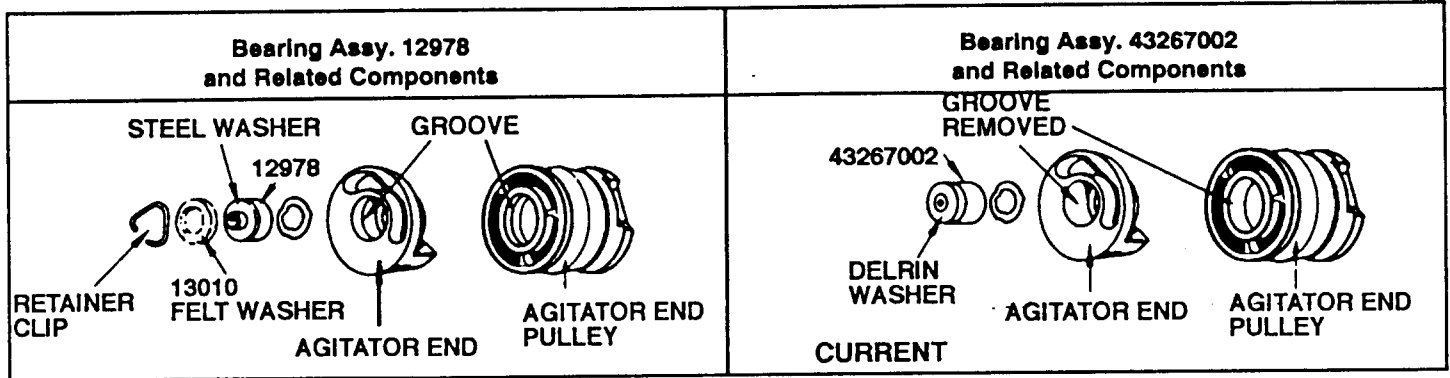
Powermatic Nozzle

Models S3057, S3059, S3059-030, S3061, S3061-030, S3077 S3079, S3079-030, S3079-035, S3081, S3083, S3083-030, S3093, S3127, S3147, S3149, S3161

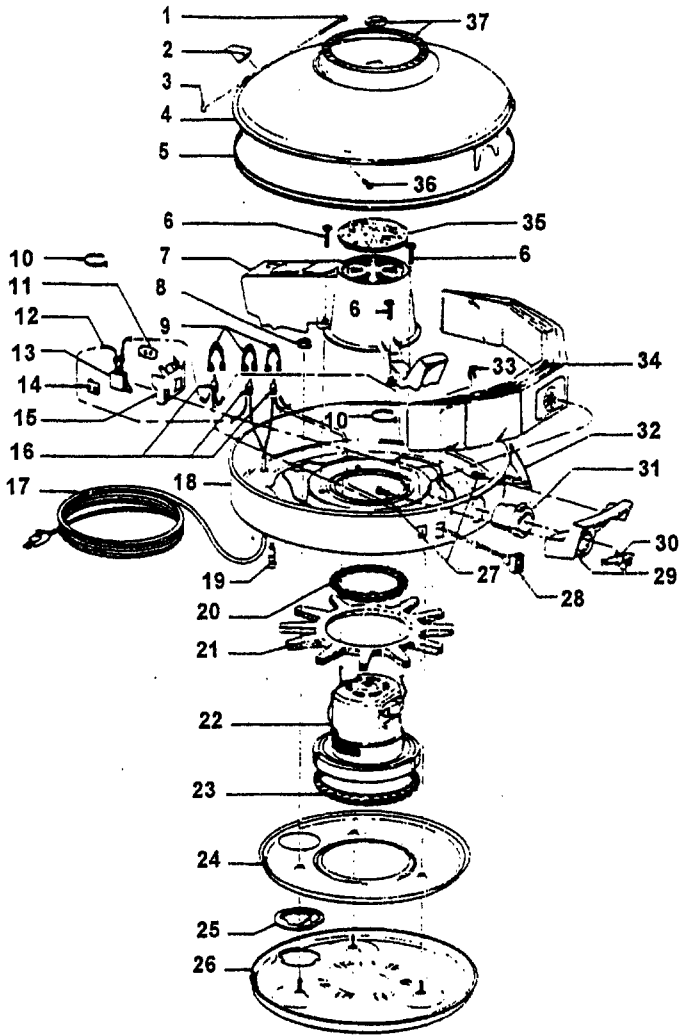
Ref. No.	Part No.	Description	Ref. No.	Part No.	Description
1	51639014	+ Nameplate - S3061, S3077	33	36235001	+ Furniture Guard - S3061, S3061-030
2	27317307	Lamp - S3061, S3061-030, S3077		36235017	Furniture Guard - LY -
3	39382013	+ Indicator Lens	34	42241041	Nozzle Body Assm.
4	38426072	+ Foot Pad	35	32543002	Wheel Shaft
	38426071	Foot Pad - S3077, S3079, S3079-030, S3079-035, S3081, S3161	36	163768	Strain Relief
5	34664007	Handle Release Lever	37	21434224	+ Screw (2) (Use w/27212011 Motor)
8	43468013	Nozzle Position Bracket Assm. (Incl. Screw & Handle Position Bracket)		21447007	* Screw (1) Use w/43177073 Motor) (Models S3127, S3147, S3161, After Jan. 1980)
9	31155005	* Washer - Plain (2)	38	36218005	Isolation Grommet (3)
10	38522001	Wheel (2)	39	52125003	+ Nameplate - S3061, S3061-030
11	13730	* Lock Ring (2)		51661006	+ Nameplate - S3077
12	169242	Wheel Cover (2)		51375027	+ Nameplate - S3057, S3059, S3059-030, S3127, S3161
13	38355005	Torsion Spring	40	39383014	Lens - S3061, S3061-030 S3077
14	21256025	Rivet (2)	41	42252001	Housing Assm. - S3061, S3061-030
15	32761001	Wheel (2)		42252002	Housing Assm. - S3077
16	166651	Felt Seal	42	47171002	+ Dirt Finder Socket Assm. - S3061, S3061-030, S3077
17	43431196	Hose	43	46321002	Cord
18	38638013	Hose Adapter	44	12910	Tube Clamp - S3061, S3061-030, S3077
19	21429404	+ Screw (3)	45		Electrical Tape - 1/2" Wide
20	35412003	Spring		48438084	Powered Nozzle Comp. - S3057, S3059, S3059-030, S3079, S3079-030, S3079-035, S3081, S3083, S3083-030, S3127, S3147, S3161, S3093
21	48416004	Agitator		48438055	Powered Nozzle Comp. - S3061, S3061-030, S3077
22	51151031	+ Indicator		48438081	+ Powered Nozzle Comp.
23	38426080	Foot Pad		48438120	Powered Nozzle Comp. - S3149
24	34123001	Seal	ITEMS NOT ILLUSTRATED		
25	48443001	Brush			
26	36952008	Brush Support (2)			
27	34654003	Spring (2)			
28	42246006	+ Bottom Plate Assm.			
	42246007	+ Bottom Plate Assm. - S3081, S3093			
	42246050	Bottom Plate Assm. - S3079-035			
	42246003	Bottom Plate Assm. - S3057, S3059, S3061, S3127, S3147, S3149, S3161			
29	43548001	+ Agitator Seal Assm.			
30	38528009	Belt			
31	38781003	Dirt Seal (use w/27212011 Motor)	51638007	Handle Release Label - S3077, S3083	
	34284001	+ Motor Baffle (Use w/43177073 Motor, Models S3127, S3147, S3161 - After Jan. 1980)	34618017	Bracket Assm. (Use w/27212011 (Plastic Case) when installing on old style Nozzle Body with two mounting holes)	
32	27212011	+ Motor (use w/21434224 Screw, (2))			
	43177073	Motor w/Mounting Tab (Use w/21447007 Screw (1), Models S3127, S3147, S3161 - After Jan. 1980)			

Agitator

Models S3057, S3059, S3059-030, S3061, S3061-030, S3077, S3079, S3079-030, S3079-035, S3081, S3083, S3083-030, S3093, S3127, S3131, S3131-030, S3133, S3135, S3137, S3139, S3139-035, S3141, S3147, S3149, S3153, S3161, S3173



Ref. No.	Part No.	Description
	48416004	Agitator Assm. Comp.
1	48495 AY	Thread Guard Assm. - L.H.
2	12987	+* Retainer Clip (2)
3	13010	* Washer - Felt (2)
4	12978	Agitator Bearing Assm. (2) (Use w/Item 2 & 3)
	43267002	Agitator Bearing Assm. (2) (Current)
5	21347003	* Washer (2)
6	160542	Agitator End Assm.
7	160070	Agitator Shaft
8	160646 BZ	Agitator Brush Back Assm. (2)
9	160538	Agitator End Pulley
10	12985 AY	Agitator Thread Guard Assm. - R.H.



Ref. No.	Part No.	Description
1	47938	* Hinge Pin
2	170362JM	Cord Clip
3	48123AV	+* Lock Ring
4	42211161	Upper Shell
	42211164	+ Upper Shell - S3081, S3093
5	170361JM	+ Furniture Guard
6	17001FW	* Screw (3)
7	170377JM	+ Motor Cover
8	21652003	+ Nut - Hex (3)
9	161881	+ Terminal Lock (3)
10	27479307	* Wire Tie (2)
11	13312	Switch Retaining Clamp (Metal)
	36131003	Switch Cover - R.H. (Plastic)
12	170333	+ Lead Wire - White
13	12971	Switch
14	13313	Switch Retaining Clamp (Metal)
	36131002	Switch Cover - L.H. (Plastic)
15	34353001	Switch Insulation
16	48969	* Wire Nut (3)
17	46363195	Cord
18	42213115	+ Intermediate Shell
19	27482120	Strain Relief Bushing
20	169293	Motor Mount - Upper
21	31194005	+ Muffler
22	43177008	+ Motor - (P-39)
23	169294	Motor Mount - Lower
24	37215097	+ Intake Pan
25	170382JM	+ Blower Adapter (All except S3093 & S3147)
26	41421122	Bottom Pan - S3057, S3081
	41421189	Bottom Pan - S3093, S3147
27	166735EF	+ Screw (2)
28	46326076	+ Connector
29	39457006	+ Handle
30	36151012	Latch
31	170352AG	Bag Collar Connector
32	16439JX	+ Shell Cover Latch
	16439EW	+ Shell Cover Latch
33	34341006	Retaining Clip (Connector)
34	4010009H	Throw Away Bag (3 Pk.)
35	170332BZ	Secondary Filter
	13533	+* Screw (Cord Clip)
37	52125002	+ Medallion - S3057
	51661008	+ Medallion - S3081, S3093
	51661009	+ Medallion - S3147
	52125006	+ Medallion & Trim

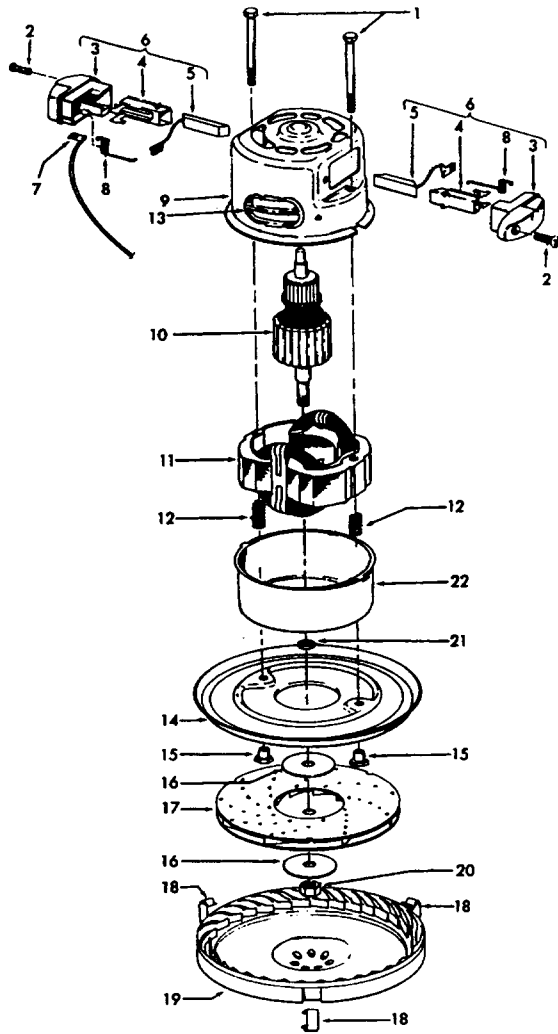
ITEMS NOT ILLUSTRATED

170351AW	+ Hinge Leaf Upper (Upper Shell)
23737202	Caster Wheel Assm. - S3083

PACKAGING MATERIAL

58177087	+ Carton
58259001	+ Top Support - S3083, S3083-030, S3093, S3147
58271001	+ Bottom Support - S3057, S3081
58132009	+ Nozzle Carton
58332001	+ Nozzle Support
56513015	+ Owner Manual - S3057
56513058	+ Owner Manual - S3081, S3083, S3083-030
56513071	+ Owner Manual - S3093
56513092	+ Owner Manual - S3147

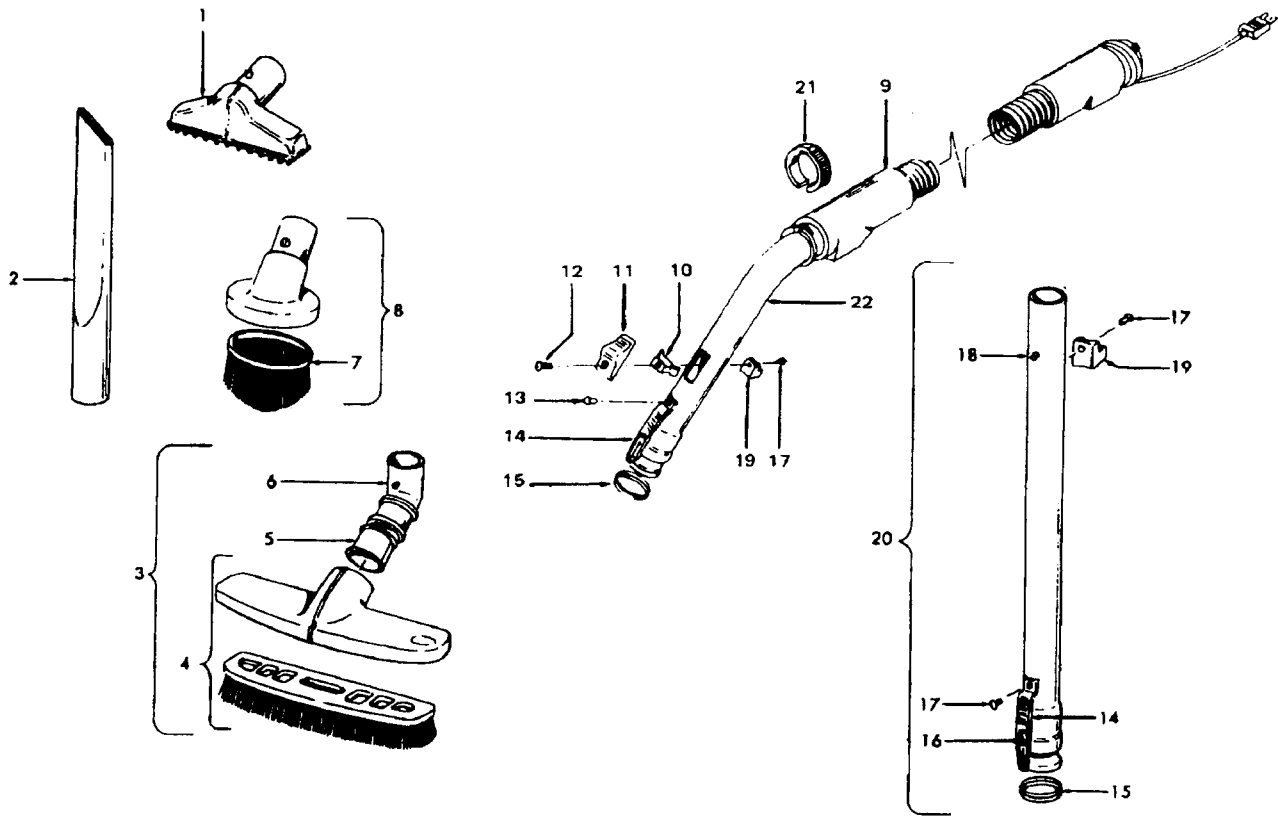
S3073, S3073-030, S3079, S3079-030, S3079-035, S3081,
 S3083, S3083-030, S3093, S3121, S3123, S3125, S3125-030,
 S3127, S3131, S3131-030, S3133, S3135, S3147, S3149, S3159
 S3161, S3165, S3167, S3169, S3215



Ref. No.	Part No.	Description
1	33421004	+ Field Lamination Bolt
2	21429406	* Screw
3	167696AG	Brush Housing - Only
4	N/A	Brush Holder - Use Brush Carrier Assem. 47318008 It. 6.
5	167681	Carbon Brush & Terminal
6	47318008	Brush Housing - Comp.
7	27666551	* Terminal
8	38353004	Spring
9	169707	Motor Housing - Upper
10	168479	Armature
11	168470	+ Field
12	167721FW	Spring
13	169702BZ	+ Bushing
14	169713FW	Motor Mounting Plate
15	167695EF	Nut
16	21312774	+ Washer
17	43566006	+ Fan
18	34785004	Spring Clip
19	169714AG	+ Diffuser
20	33426001	Nut
21	31148002	Spacer
22	41823002	Motor Housing - Lower

Cleaning Tools

Models S3059, S3059-030, S3061, S3061-030, S3079, S3079-030, S3083, S3083-030, S3127, S3147, S3149, S3161



Ref. No.	Part No.	Description	Ref. No.	Part No.	Description
1	43414057	Furniture Nozzle Comp.	10	13257BZ	Suction Regulator Support
2	38617017	Crevice Tool	11	13142AG	Suction Regulator Control
3	13077JM	+ Floor Brush Assm.	12	13275	+* Screw
	43414073	Floor Brush Assm.	13	12783	+* Rivet
4	13155JM	+ Brush Back & Nozzle Assm. (Use w/13077JM)	14	12846AG	Tube Latch (2)
5	13276	Floor Brush Swivel Bushing (Use w/13154JM)	15	12845JM	Gasket (2)
	33712007	Split Ring (Use w/38644040)	16	12772	+* Rivet
6	13154JM	+ Swivel Connector (Use w/13077JM)	17	12783	+* Rivet (2)
	38644040	Swivel Connector (Use w/48473025)	18	12763AW	* Rivet
7	13263BZ	+ Brush (Use w/ 61851 JM)	19	36171005	Cord Clip
8	161851JM	+ Dusting Brush Comp.	20	43453085	Ext. Tube (2) (17")
	43414064	Dusting Brush (One Piece)		43453052	Ext. Tube 20 - AX- S3127, S3161
9	43438022	+ Current Carrying Hose & Tube	21	36153009	Latch Ring
	43433085	Current Car in Hose	22	43468055	Hose Tube (Early)
				43453023	Ext. Tube - AX- 20 - S3127, S3161 (Current)
				170110	+ Shag Vac Rake - S3161 S3149