

Ref. No.	Part No.	Description
1	47938	Pin
2	170362JM	Cord Clip
3	48123	+* Ring
4	42211161	+ Upper Shell - EW
	42211059	+ Upper Shell - EW - S3159
	42211048	+ Upper Shell - JX - S3167
5-	170361JM	+ Furniture Guard
6	17001FW	* Screw (3)
7	170377JM	+ Motor Cover
8	21652003	+ Nut - Hex (3)
9	161881	+ Terminal Lock (2)
10	13312	Switch Retaining Clamp (Metal)
	36131003	Switch Cover - R.H. (Plastic)
11	170333	+ Lead Wire - White
12	12971	Switch
13	13313	Switch Retaining Clamp (Metal)
	36131002	Switch Cover - L.H. (Plastic)
14	34353001	Switch Insulation
15	48969	* Wire Nut (2)
16	46363195	Cord
17	42213038	+ Intermediate Shell - JJ
	42213040	+ Intermediate Shell - JR
18	27482227	Strain Relief Bushing
	27482120	Strain Relief Bushing - S3005-001
19	169293	Motor Mount - Upper
20	31194005	+ Muffler

Ref. No.	Part No.	Description
21	43177008	+ Motor - (P - 39)
22	169294	Motor Mount - Lower
23	37215097	+ Intake Pan
24	170382JM	+ Blower Adapter
25	41421189	Bottom Pan - JR - S3159
	41421122	Bottom Pan - JJ
26	166735EF	+ Screw (2)
27	39457006	+ Handle
28	170352AG	Bag Collar Connector
29	16439JX	+ Shell Cover Latch
30	4010009H	Throw Away Bag (3 Pk.)
31	170332BZ	Secondary Filter
32	13533	+* Screw (Cord Clip)
33	51661008	+ Medallion

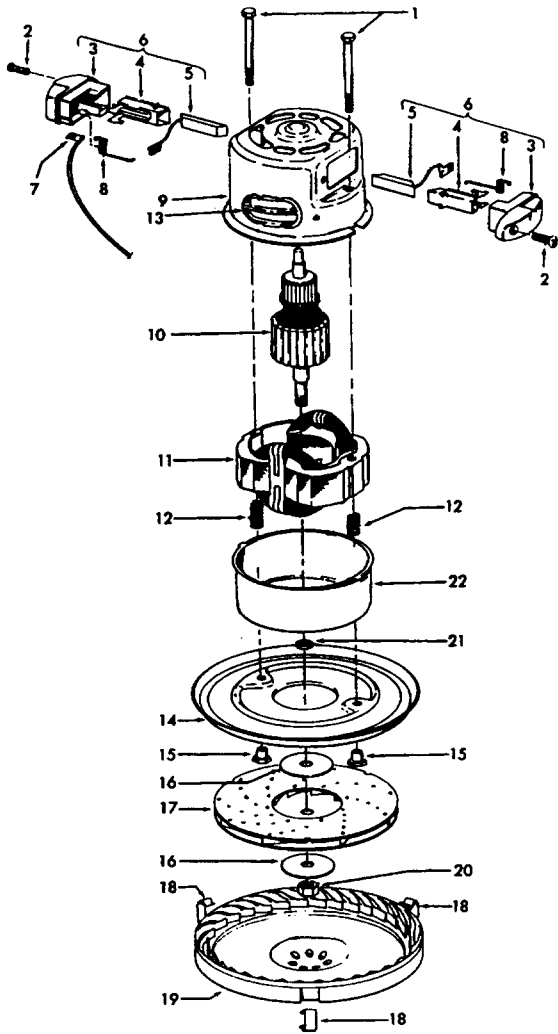
PACKAGING MATERIAL

58177087	+ Carton
58259001	+ Top Support
58271001	+ Bottom Support
56513006	+ Owner Manual
56613109	+ Owner Manual - S3159

ITEMS NOT ILLUSTRATED

170351AW	+ Hinge Leaf Upper (Upper Shell)
----------	----------------------------------

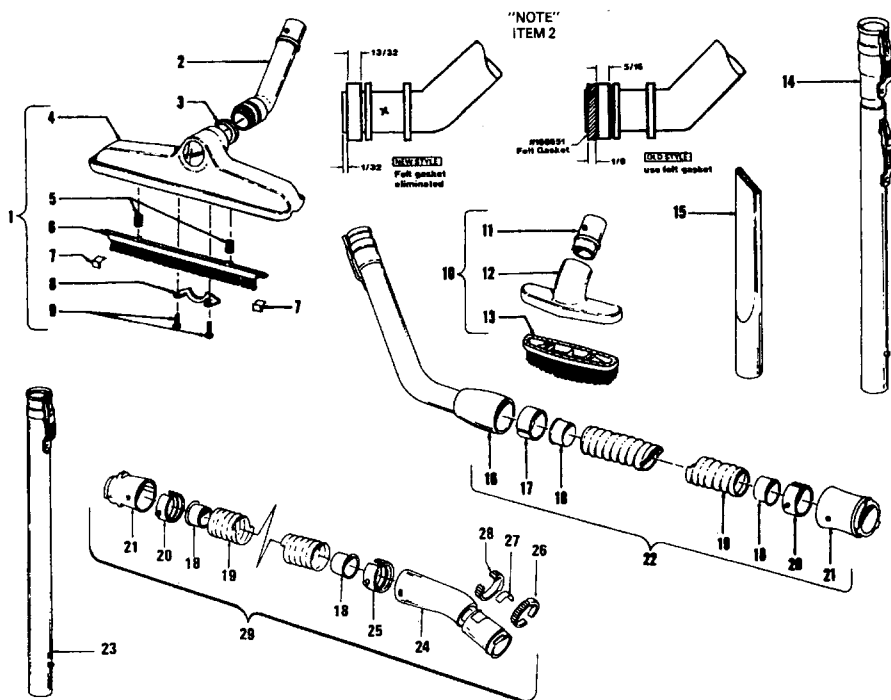
S3073, S3073-030, S3079, S3079-030, S3079-035, S3081,
 S3083, S3083-030, S3093, S3121, S3123, S3125, S3125-030,
 S3127, S3131, S3131-030, S3133, S3135, S3147, S3149, S3159
 S3161, S3165, S3167, S3169, S3215



Ref. No.	Part No.	Description
1	33421004	+ Field Lamination Bolt
2	21429406	* Screw
3	167696AG	Brush Housing - Only
4	N/A	Brush Holder - Use Brush Carrier Assem. 47318008 It. 6.
5	167681	Carbon Brush & Terminal
6	47318008	Brush Housing - Comp.
7	27666551	* Terminal
8	38353004	Spring
9	169707	Motor Housing - Upper
10	168479	Armature
11	168470	+ Field
12	167721FW	Spring
13	169702BZ	+ Bushing
14	169713FW	Motor Mounting Plate
15	167695EF	Nut
16	21312774	+ Washer
17	43566006	+ Fan
18	34785004	Spring Clip
19	169714AG	+ Diffuser
20	33426001	Nut
21	31148002	Spacer
22	41823002	Motor Housing - Lower

Cleaning Tools

Models S3005, S3005-001, S3005-020, S3005-030,
S3021, S3023, S3033-030, S3159, S3167



Ref. No.	Part No.	Description
1	0M114169	Rug & Floor Nozzle Comp.
2	166653DM	Nozzle Tube - S3005, S3005-020
	166652JM	Nozzle Tube (See Note)
3	166651	Felt Gasket
4	43414089	Nozzle & Lock Assm.
5	166649FW	Spring (2)
6	166656	Brush Back
7	166646	Brush Retainer Clip (2)
8	166650AY	+ Connector Tube Clamp
	166648AW	+* Screw (2)
10	161852JM	+ Furniture Brush Comp.
	43414016	Furniture Brush - AG
11	13149JM	Nozzle Connector Tube (Use w/ 161852JM)
12	43414016	Furniture Brush - AG
13	13254BZ	+ Brush Back Comp. (Use w/ 161852JM)
14	43458001	Extension Tube Comp. (All except S3005-030)
15	38617017	Crevice Tool
16	43468018	+ Hose Tube Comp. - S3005, S3005-001, S3005-020, S3159, S3167
17	12704BZ	Hose Grip Collar - S3005, S3005-001, S3005-020, S3159, S3167
18	32156010	Hose Sleeve - S3005, S3005-001, S3005-020, S3005-030, S3159, S3167

Ref. No.	Part No.	Description
19	43434213	Hose Complete - S3005, S3005-001, S3005-020, S3005-030, S3159, S3167
20	12615BZ	Hose Connector Collar - S3005, S3005-001, S3005-020, S3005-030, S3159, S3167
21	32855003	Hose Connector - S3005, S3005-001, S3005-020, S3005-030, S3159, S3167
22	43434191	Hose Assem. Comp. - S3005, S3005-001, S3005-020, S3159, S3167
23	43453027	Extension Tube - S3005-030
24	43466044	Hose Connector Curved w/Rings - S3005-030
25	36116006	Hose Connector Collar - S3005-030
26	36153009	Latch Ring - S3005-030
27	51869006	Hose Connector Label - S3005-030
28	38711006	Suction Control Ring - S3005-030
29	43434191	Hose Assem. Comp. - S3005-030

ITEMS NOT ILLUSTRATED

43414073	Floor Brush - S3159
170110	+ Shag Vac Rake