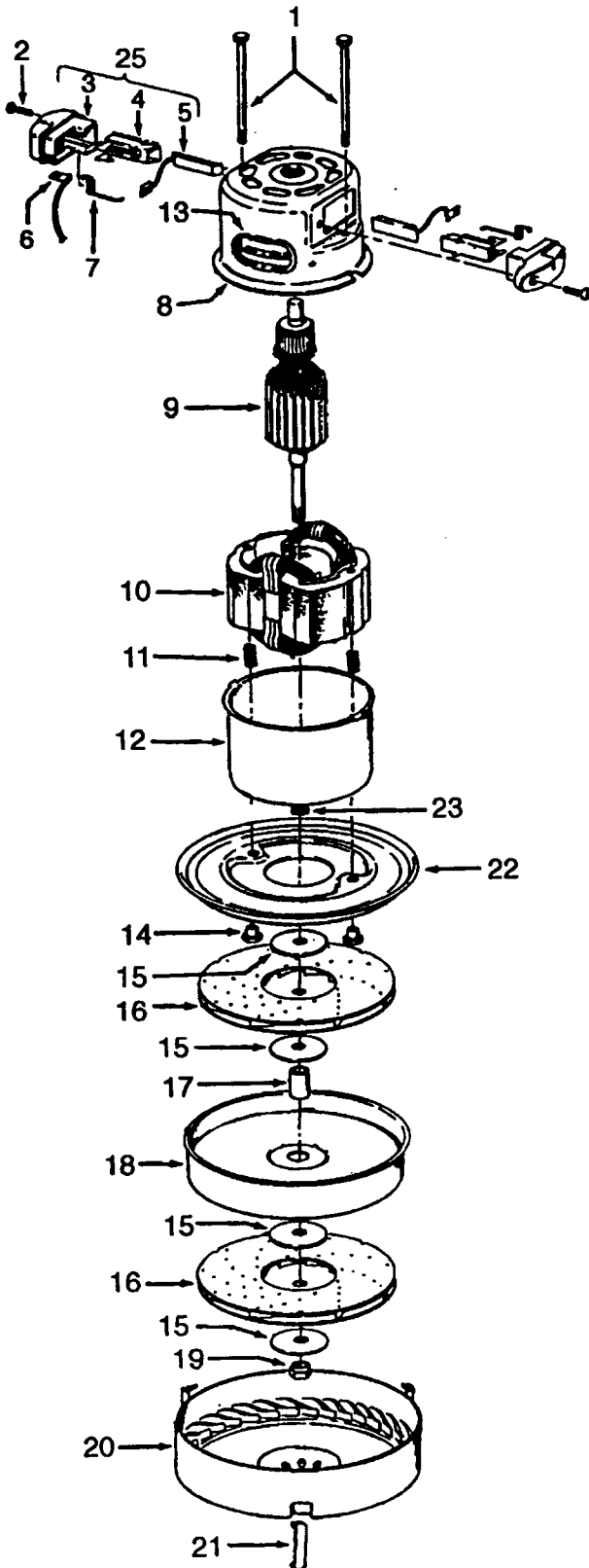


Ref. No.	Part No.	Description
1	36433001	+ Tool Rack - KP
	36433004	+ Tool Rack - JM
2	48969	* Wire Nut
3	21366003	+ Speed Nut
4	27482120	Strain Relief
5	34363002	+ Wire Shield
6	35214004	Hinge Leaf - Upper
7	48123AV	+* Lock Ring
8	42211338	Upper Shell
	42211293	+ Upper Shell - JV - S3171
9	166735EF	Screw
10	170361VN	+ Furniture Guard
	170361JM	+ Furniture Guard - S3171
11	17001FW	* Screw
12	27482227	Strain Relief
13	46311112	+ Pigtail Cord
14	37196060	+ Motor Cover - JM
15	27479307	* Wire Tie
16	36921008	+ Rest Pad - JJ
	36921010	+ Rest Pad - JE - S3171
17	170348AW	+ Hinge Leaf - Lower
18	46363224	Attach. Cord
19	42213309	+ Intermediate Shell - JJ
	42213367	Intermediate Shell - JE - S3171
20	169293	Resilient Mount - Upper
21	43177008	+ Motor - (P - 39)
	43577101	Motor - S3171 - (P - 90)
22	169294	Resilient Mount - Lower
23	31114008	+ Muffler
24	31721025	+ Spacer
25	41421189	Bottom Pan - JJ
	41421311	+ Bottom Pan - JJ - S3171
26	23737202	Caster Wheel
27	170352AG	Bag Collar Connector
28	36151012	Latch
29	39457006	+ Handle - JM
30	48512FW	+ Spring
31	16439JJ	+ Latch
	16439JX	+ Latch - S3171
32	160862	+* Screw
33	4010009H	Paper Bag (3 Pk.)
34	21447014	* Screw
35	21652003	+ Hex Nut
36	38764006	Filter
37	52125019	+ Nameplate
	52125044	+ Nameplate - S3171
38	38456070	+ Switch Button
	38456072	+ Switch Button - JE - S3171
39	47938	* Hinge Pin
40	28212026	Switch
41	38314002	Spring
	56513102	+ Owner Manual
	58177087	+ Cleaner Carton
	58254001	+ Front Bottom Support
	58336001	+ Rear Bottom Support
	58347002	+ Top Support

Celebrity Motor

Models S3129, S3137, S3171, S3187, S3193, S3195, S3199, S3201, S3219, S3237, S3239

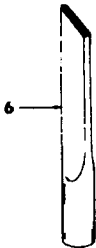
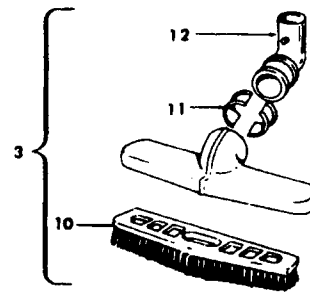
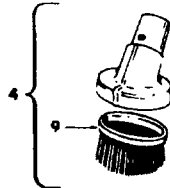
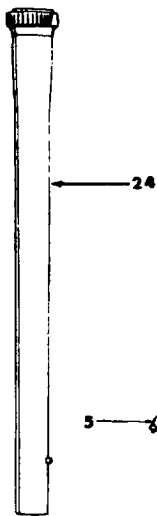
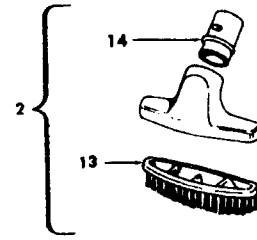
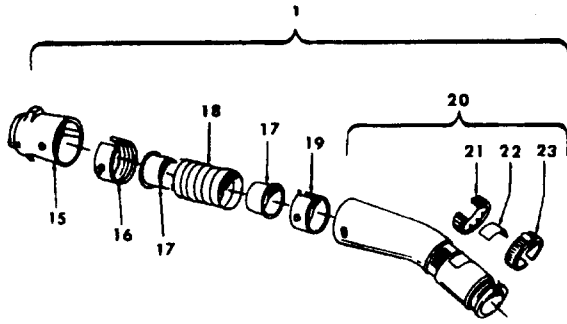


Motor - 2 Speed 43577093 (3.7) Motor - 43577101 (2.6)

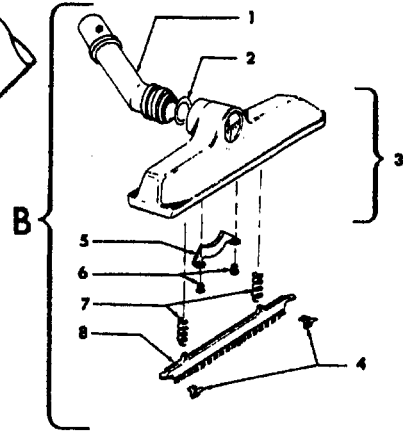
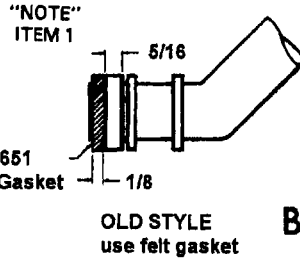
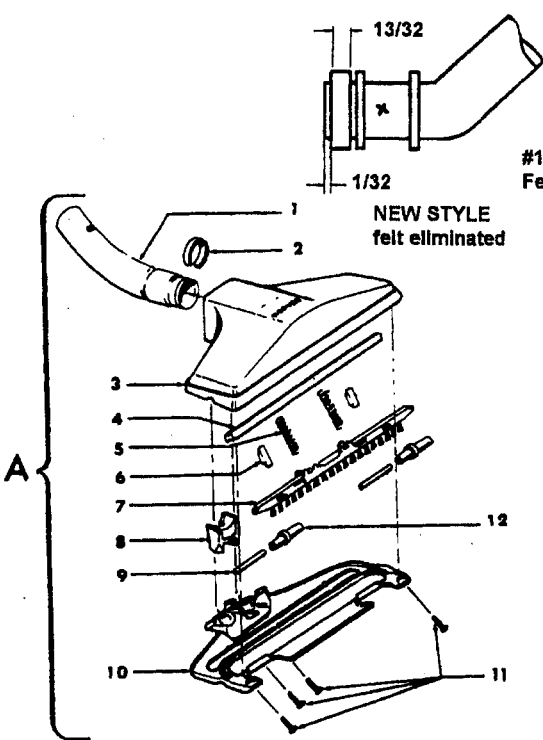
Ref. No.	Part No.	Description
	43577101	Motor - (2.6) S3129, S3137, S3171, S3187, S3193, S3195, S3219
	43577093	Motor Comp. - (3.7) S3199, S3201, S3237, S3239
1	12022	Field Bolt
2	21429406	* Screw
3	168038	Brush Carrier
4	168506--	Brush Holder
5	167679	Carbon Brush
6	27666551	* Terminal
7	38353004	Spring
8	169706	Motor Housing - Upper
9	44765078	Armature (2.6)
	44765106	Armature (3.7)
10	45311017	+ Field Coll (2.6)
	45311018	+ Field Coll (3.7) 2-Speed
11	167721FW	Spring (3.7)
	38311016	+ Spring (2.6)
12	41823001	Motor Housing - Lower
13	169702BZ	+ Bushing
14	167695EF	Nut
15	21312774	+ Washer
16	43566006	+ Fan
17	31732003	Spacer
18	169712	+ Interstage
19	33426001	Nut
20	37218005	Diffuser
21	34786002	Spring Clip
22	169713FW	Mounting Plate
23	31148002	Spacer
25	168506	Brush Carrier Assm.

Cleaning Tools

Models S3121, S3123, S3125, S3125-035, S3129
S3165, S3169, S3171

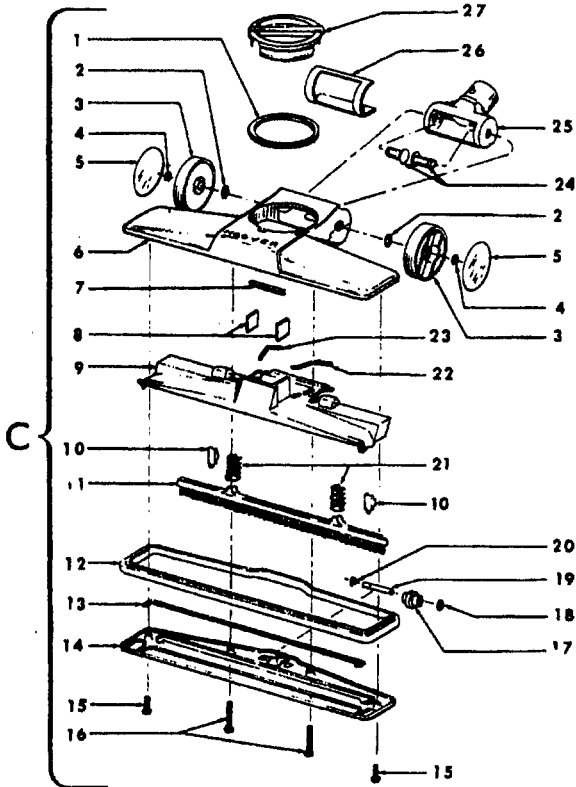


Ref. No.	Part No.	Description
1	43434191	Hose - JM
2	161852JM	+ Furniture Brush
	43414016	Furniture Brush - AG
3	13077JM	+ Floor Brush
	43414073	Floor Brush
4	161851JM	+ Dusting Brush
	43414064	Dusting Brush (One Piece)
5	43414057	Furniture Nozzle
6	38617017	Crevice Tool
7	43453027	Extension Tube
8	12845JM	Gasket
9	13263	+ Brush (Use w/161851JM)
10	13253AG	+ Brush Back
11	13276	Swivel Bushing (2) (Use w/13154JM)
	33712007	Split Ring (Use w/38644040)
12	13154JM	+ Swivel Connector (Use w/13077JM)
	38644040	Swivel Connector (Use w/48473025)
13	13254BZ	+ Brush (Use w/161852JM)
14	13149JM	Connector Tube (Use w/161852JM)
15	32855003	Hose Connector
16	12615BZ	Collar
17	32156010	Sleeve
18	43434213	Hose Complete
	43434203	Hose Complete
19	36116006	Collar
20	43466044	Hose Grip-JM
21	38711006	Suction Control Ring
22	51869006	Label
23	36153009	Latch Ring
24	3863801P	Extension Tube - Poly - AG
	170110	+ Shag Rake- S3165



- | | | |
|----|----------|--|
| A | 43414101 | + Rug & Floor Nozzle - AAP - S3125, S3125-035, S3171 |
| 1 | 43463012 | + Connector Tube |
| 2 | 13267 | +* Felt Gasket |
| 3 | 38615156 | + Nozzle Body - JM |
| 4 | 13259PH | + Litter Picker |
| 5 | 15963FW | + Spring |
| 6 | 13261AY | * Rib Shoe |
| 7 | 16184 | + Brush Back |
| 8 | 161413 | +* Tube Retainer |
| 9 | 13272 | + Roller Shaft |
| 10 | 42246002 | + Bottom Plate |
| 11 | 12955 | * Screw |
| 12 | 13157AG | + Roller |

- | | | |
|---|----------|--|
| B | N/A | Rug & Floor Nozzle AAP - S3121, S3123, S3165, S3169 - (Use 4341401P) |
| 1 | 166652JM | Nozzle Tube (See Note) |
| 2 | 166651 | Gasket |
| 3 | 43414089 | Nozzle Body - JM |
| 4 | 166646 | Brush Retainer |
| 5 | 166650AY | + Tube Clamp |
| 6 | 166648AW | + Screw |
| 7 | 166649FW | Spring |
| 8 | 166656 | Brush Back |



- | | | |
|----|----------|------------------------------------|
| C | 43414101 | + Rug & Floor Nozzle - AAP - S3129 |
| 1 | 34113001 | + Foam Seal |
| 2 | 169241AW | * Washer |
| 3 | 169239AG | Wheel |
| 4 | 13730 | * Lock Ring |
| 5 | 169242 | Wheel Cover |
| 6 | 38615160 | Nozzle Body - JM |
| 7 | 34112001 | * Foam Seal |
| 8 | 34223002 | + Felt Seal |
| 9 | 169250AG | + Brush Housing |
| 10 | 169253AY | + Rib Shoe |
| 11 | 169256 | + Brush Back |
| 12 | 169247JM | + Furniture Guard |
| 13 | 169251 | + Gasket |
| 14 | 169538 | + Bottom Plate |
| 15 | 21481464 | + Screw |
| 16 | 21481465 | + Screw |
| 17 | 169243AG | Roller |
| 18 | 21312758 | +* Washer |
| 19 | 169244AW | Roller Shaft |
| 20 | 24735081 | * Lock Ring |
| 21 | 166649FW | Spring |
| 22 | 34513001 | Foam Seal - L.H. |
| 23 | 34513002 | Foam Seal - R.H. |
| 24 | 169240AY | + Wheel Shaft |
| 25 | 169249JM | + Connector Tube |
| 26 | 34122006 | Seal |
| 27 | 169254JM | + Control Knob |