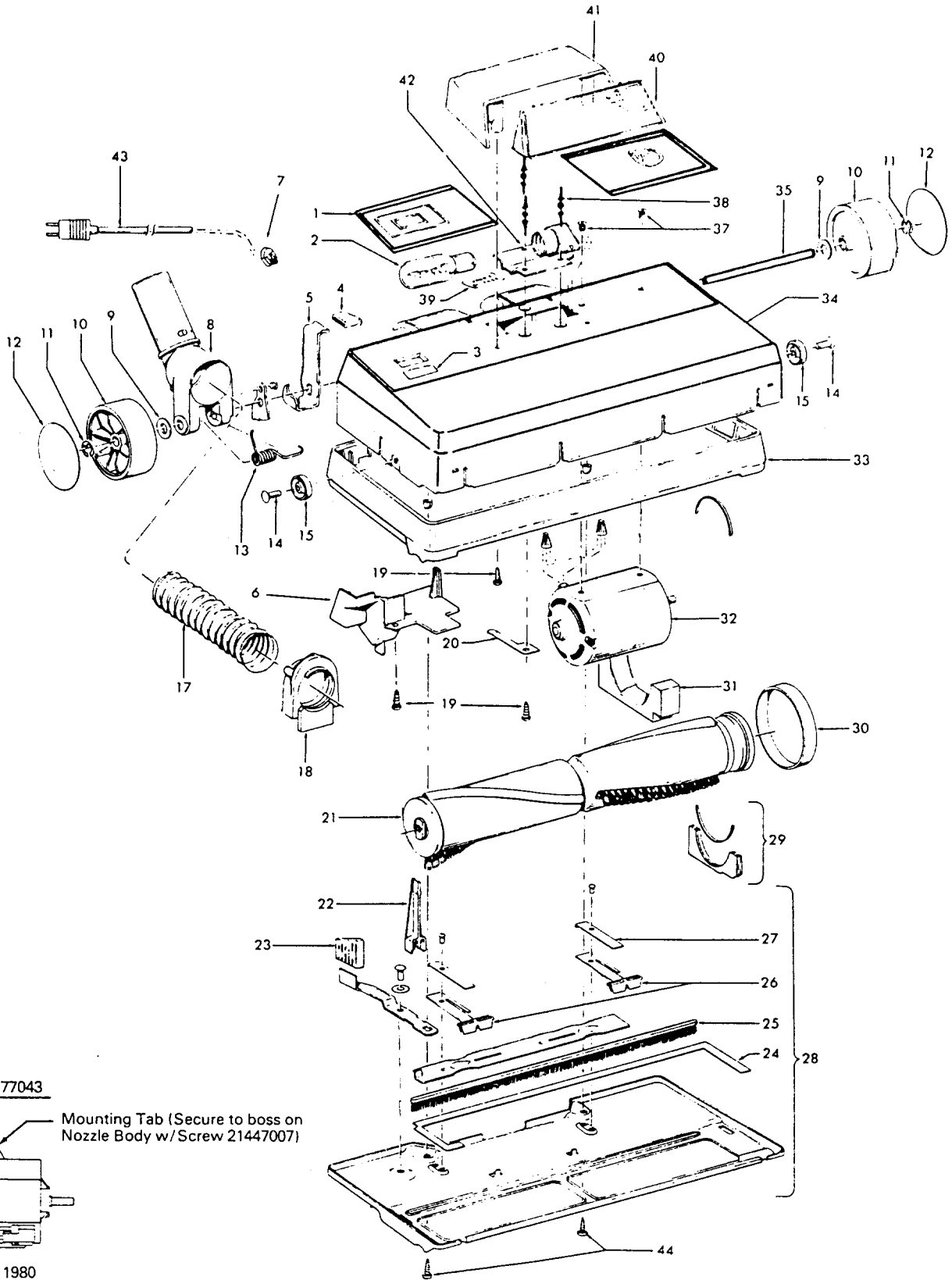


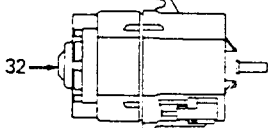
# Powered Nozzle

Models S3131, S3131-030, S3133, S3135, S3137, S3139, S3139-035, S3141, S3153, S3173



Motor 43177043

Mounting Tab (Secure to boss on Nozzle Body w/ Screw 21447007)



After Jan. 1980

**Powered Nozzle**

**Models S3131, S3131-030, S3133, S3135, S3137  
S3139, S3139-035, S3141, S3153, S3173**

Ref. No.	Part No.	Description
1	52125021	+ Nameplate - S3131, S3131-030
	52125032	+ Nameplate - S3133
	51375018	+ Nameplate - S3135, S3139, S3139-035, S3141
	51375027	+ Nameplate - S3137
	51375025	+ Nameplate - S3139, S3139-035, S3141
	51375026	+ Nameplate - S3153
	51375040	Nameplate - S3173
2	27317307	Lamp - S3139, S3139-035, S3141, S3153
3	39382013	+ Indicator Lens - S3135, S3137, S3139, S3139-035, S3141, S3153
4	38426072	+ Foot Pad - JM
5	34664007	Release Lever
6	37943010	+ Cover
7	163768	Strain Relief
8	43468013	Nozzle
9	31155005	* Washer
10	38522001	Wheel
11	13730	* Lock Ring
12	169242	Wheel Cover
13	38355005	Torsion Spring
14	21256025	Rivet
15	32761001	Wheel
17	43431196	Hose
18	38638013	Hose Adapter
19	21429404	+ Screw
20	35412003	Spring
21	48416004	Agitator
22	51151031	+ Indicator - JM
23	38426080	Foot Pad
24	34123001	Seal
25	48443001	Brush - S3135, S3137, S3139, S3139-035, S3141, S3153
26	36952008	Brush Support
27	34654003	Spring
28	42246007	+ Bottom Plate
	42246003	Bottom Plate - S3135, S3137, S3139, S3139-035, S3141, S3153
29	43548001	+ Agitator Seal
30	38528009	Belt

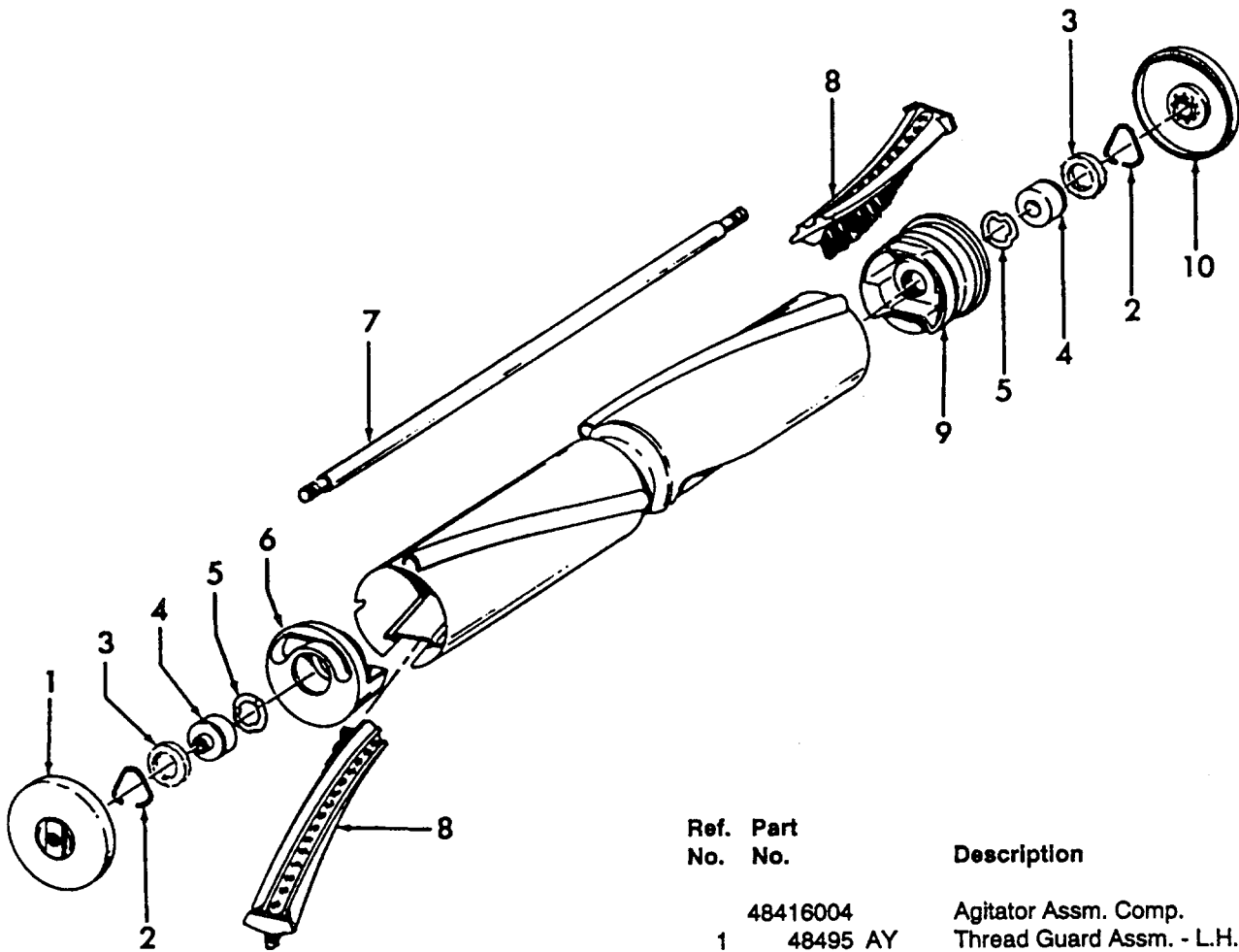
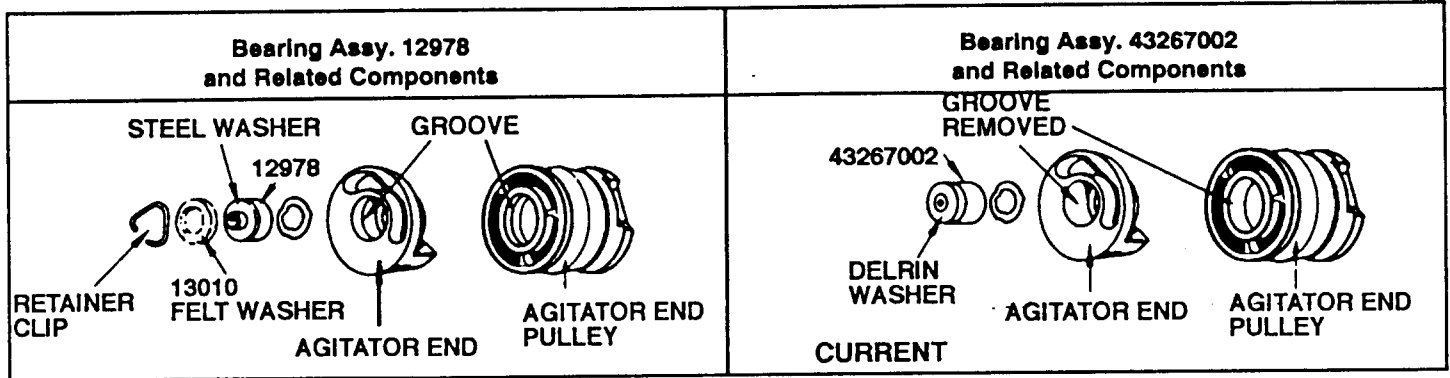
Ref. No.	Part No.	Description
31	38781003	Dirt Seal - Prior to Jan. 1980 (Use w/27212011 Motor)
	34284001	+ Motor Baffle - After Jan. 1980 (Use w/43177073 Motor)
32	27212011	+ Motor - Prior to Jan. 1980 (Use w/21434224 Screw (2))
	43177073	Motor w/Mounting Tab - After Jan. 1980 (Use w/21447007 Screw (1))
33	36235002	Furniture Guard - JM - S3131, S3131-030, S3135, S3139, S3139-035, S3141
	42241041	Nozzle Body - JM
35	32543002	Wheel Shaft
37	21434224	+* Screw (2) - Prior to Jan. 1980 (Use w/27212011 Motor)
	21447007	* Screw (1) - After Jan. 1980 (Use w/43177073 Motor)
38	36218005	Insulation Grommet
39	51638007	Handle Release Label
	51639026	+ Handle Release Label - S3139, S3139-035, S3141
	51639027	+ Handle Release Label - S3153
40	39383016	Lens - KC
41	42252001	Housing Assembly
42	27171002	+ Lamp Socket
43	46321002	Attachment Cord - AG
44	21447003	* Screw

**ITEMS NOT ILLUSTRATED**

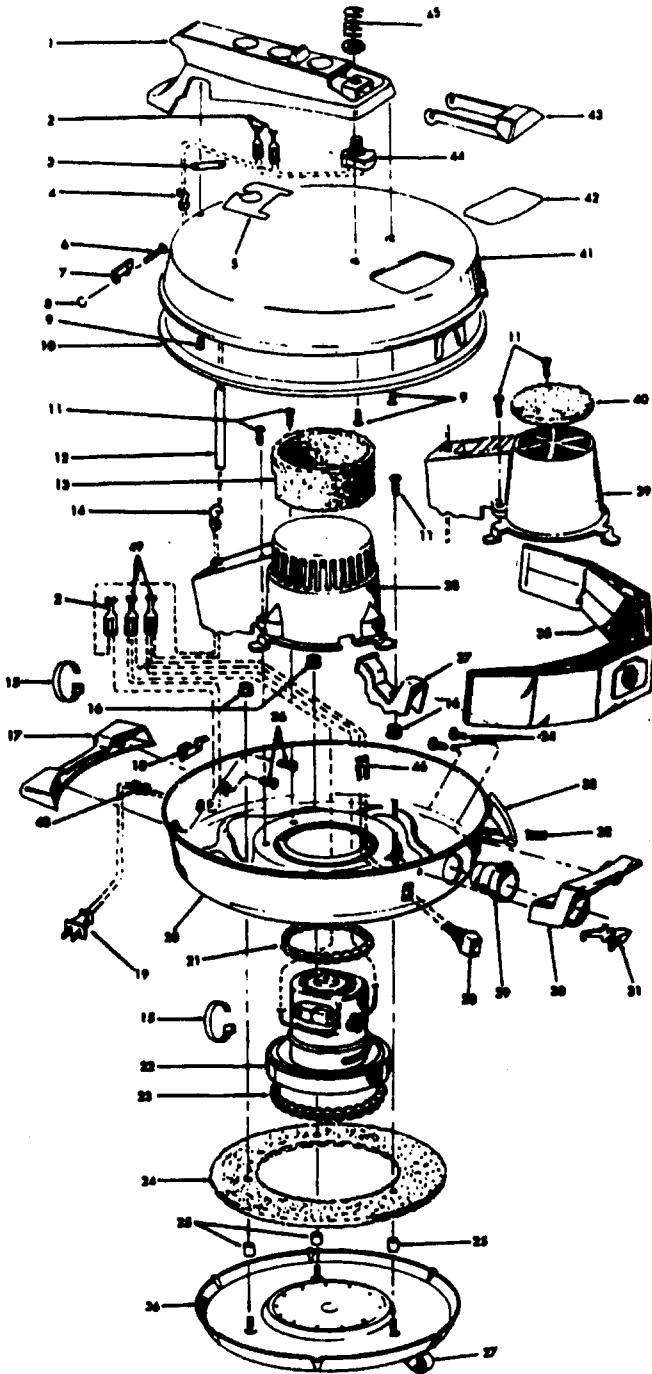
46348016	Cord Set - S3131-030
48438011	+ P.N. Assm. - S3133
48438012	+ P.N. Assm. - S3131, S3131-030
48438055	P.N. Assm. - S3139, S3139-035, S3141, S3153, S3173
48438014	+ P.N. Assm. - S3137
48438015	+ P.N. Assm. - S3135
48438084	P.N. w/o Lens & Nameplate
34618017	Bracket Assm. (Use w/27212011 (Plastic Case) when installing on old style Nozzle Body with two mounting holes.

# Agitator

Models S3057, S3059, S3059-030, S3061, S3061-030, S3077, S3079, S3079-030, S3079-035, S3081, S3083, S3083-030, S3093, S3127, S3131, S3131-030, S3133, S3135, S3137, S3139, S3139-035, S3141, S3147, S3149, S3153, S3161, S3173



Ref. No.	Part No.	Description
	48416004	Agitator Assm. Comp.
1	48495 AY	Thread Guard Assm. - L.H.
2	12987	+* Retainer Clip (2)
3	13010	* Washer - Felt (2)
4	12978	Agitator Bearing Assm. (2) (Use w/Item 2 & 3)
	43267002	Agitator Bearing Assm. (2) (Current)
5	21347003	* Washer (2)
6	160542	Agitator End Assm.
7	160070	Agitator Shaft
8	160646 BZ	Agitator Brush Back Assm. (2)
9	160538	Agitator End Pulley
10	12985 AY	Agitator Thread Guard Assm. - R.H.

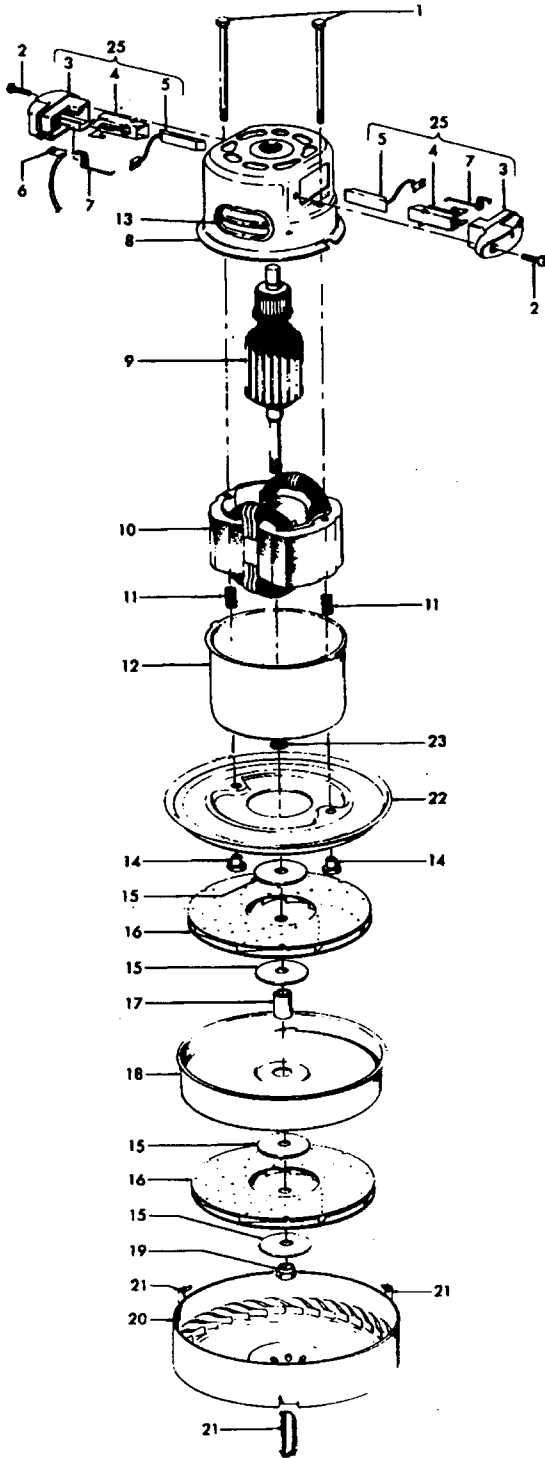


- 56513087 + Owner Manual
- 56513191 + Owner Manual - S3233
- 58185022 + Carton - S3133
- 58185062 + Carton - S3135
- 58185047 + Carton - S3173
- 58185091 + Carton - Common
- 58254001 + Front Bottom Support
- 58336001 + Rear Bottom Support
- 58347002 + Top Support

Ref. No.	Part No.	Description
1	36433003	+ Tool Rack - LB - S3133, S3173, S323
	36433002	+ Tool Rack - KX - S3135
2	48969	* Wire Nut
3	21366003	+ Speed Nut
4	27482120	Strain Relief - Pigtail
	27482301	Strain Relief - Cord
5	34363002	+ Wire Shield
6	47938	* Hinge Pin
7	35214004	Hinge Leaf - Upper
8	48123AV	+* Lock Ring
9	166735EF	+ Screw
10	170361JM	+ Furniture Guard
	170361KY	+ Furniture Guard
11	17001FW	* Screw
12	46311112	+ Pigtail Cord - JM
13	38764006	Filter
14	27482227	Strain Relief
15	27479307	* Wire Tie
16	21652003	+ Hex Nut
17	36921008	+ Rest Pad - JJ
	36921009	+ Rest Pad - JR
18	170348AW	+ Hinge Leaf - Lower
19	46363195	Cord - S3133
	46363224	Attach. Cord - AAP - S3135
	46383068	Attach. Cord - AAP - S3233
20	42213321	+ Intermediate Shell - JJ - S3233
21	169293	Resilient Mount - Upper
22	43177008	+ Motor - (P-39)
	43577074	+ Motor - S3173, S3233 - 3.7 - (P-60)
23	169294	Resilient Mount - Lower
24	31114008	+ Muffler
25	31721025	+ Spacer
26	41421189	Bottom Pan - JR - S3133, S3135
	41421311	+ Bottom Pan - JJ - S3173, S3233
27	23737202	Caster Wheel
28	46326096	+ Receptacle
29	170352AG	Bag Collar Connector
30	39457006	+ Handle - JM
	39457012	+ Handle - JR
31	36151012	Latch
32	48512FW	+ Spring
33	16439JX	+ Latch
	16439EW	+ Latch
34	21447024	+ Screw
35	4010009H	Paper Bag (3 Pk.)
36	21447014	* Screw
37	37959020	Wire Cover - JM - S3135
38	37196070	Motor Cover - JM
39	37196033	+ Motor Cover - JM - S3133
140	170332BZ	Filter - S3133
41	42211291	+ Upper Shell - LB - S3133
	42211338	Upper Shell - S3135
	42211294	+ Upper Shell - JX - S3173, S3233
42	52125020	+ Name Plate - S3133
	52125024	+ Name Plate - S3135
	52125043	+ Name Plate - S3173, S3233
43	38456071	+ Switch Button - JJ - S3133, S3173, S3233
	38456065	+ Switch Button - BP - S3135
44	28212026	Switch
45	38314002	Spring
46	34723001	Retainer

# Celebrity Motor

## Motor - 1 Speed - 43577074 (3.7) Motor - 2 Speed - 43577093 (3.7)



43577093 Motor Comp. - S3153, S3141  
43577074 + Motor Comp. - S3059, S3059-030, S3061, S3061-030, S3077, S3139, S3139-035, S3173, S3217, S3219, S3233

Ref. No.	Part No.	Description
1	12022	Field Bolt
2	21429406	* Screw
3	168038	Brush Carrier
4	168506-	Brush Holder
5	167679	Carbon Brush
6	27666551	* Terminal
7	38353004	Spring
8	169706	Motor Housing - Upper
9	44765106	Armature
10	45311018	+ Field - 2 Speed - 3.7
	45311022	+ Field - 1 Speed - 3.7
11	167721FW	Spring
12	41823001	Motor Housing - Lower
13	169702BZ	+ Bushing
14	167695EF	Nut
15	21312774	+ Washer
16	43566006	+ Fan
17	31732003	Spacer
18	169712	+ Interstage
19	33426001	Nut
20	37218005	Diffuser
21	34786002	Spring Clip
22	169713FW	Mounting Plate
23	31148002	Spacer
25	168506	Brush Carrier Assm.

# Cleaning Tools

# Models S3131, S3131-030, S3133, S3135, S3137 S3139, S3139-035, S3141, S3153, S3173

Ref. No.	Part No.	Description
1	43434191	Hose - ABX - S3131
	161852JM	+ Furniture Brush
	43414016	Furniture Brush - AG
3	13077JM	+ Floor Brush
	43414073	Floor Brush
4	161851JM	+ Dusting Brush
	43414064	Dusting Brush (One Piece)
5	43414057	Furniture Nozzle
6	38617017	Crevice Tool
7	43453052	Ext. Tube - 20 - AX
	43453088	Ext. Tube (2) (17")
	43453086	+ Ext. Tube (1) (22")
8	43433085	Current Carrying Hose - AAP
9	13263	+ Brush (Use w/ 61851 JM)
10	13253AG	+ Brush
11	13276	Swivel Bushing (2) (Use w/13154JM)
	33712007	Split Ring (Use w/38644040)
12	13154	+ Swivel Connector (Use w/13077JM)
	38644040	Swivel Connector (Use w/48473025)
14	13149JM	Connector Tube (Use w/161852JM)

Ref. No.	Part No.	Description
15	32855003	Hose Connector
16	12615BZ	Collar
17	32156010	Hose Sleeve
18	43434213	Hose Complete
19	36116006	Collar
20	43466044	Hose Grip - JM
21	38711006	Suction Control Ring
22	51869006	Label
23	36153009	Latch Ring
24	12783	+* Rivet
25	36171005	Cord Clip
26	12845JM	Gasket
27	13275	+* Screw
28	13142AG	Suction Control
29	13257BZ	Support
30	43468055	Hose Tube (Early) 17"
	43453023	Hose Tube Curved - AX - 20
31	36153009	Latch Ring
32	46321076	Cord Repair Kit

