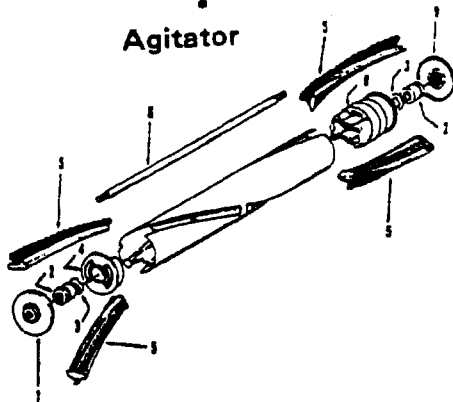
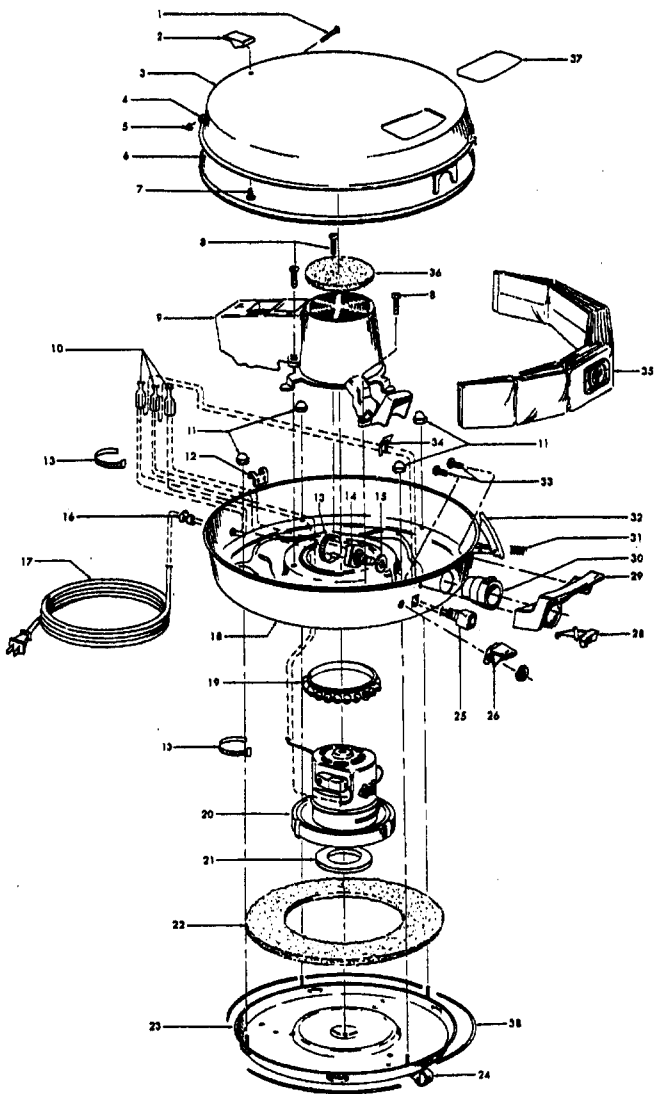


Agitator

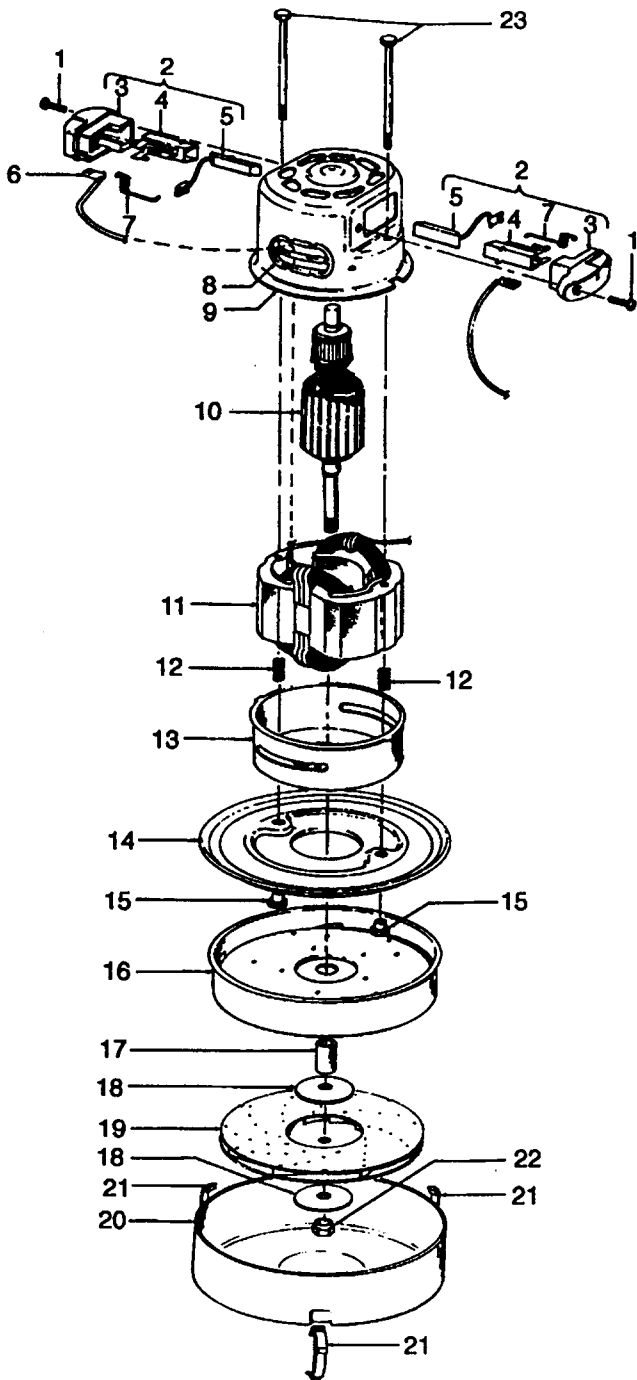


| Ref. No. | Part No. | Description |
|----------|------------------------------|---|
| | 48438189 A, C | Power Nozzle - LS - S3189, S3193, S3213 |
| | 48438057 D | Power Nozzle - MX - 4.5' Cord - S3245 |
| | 48438189 F | Power Nozzle - LZ - S3211, S3261, S3263, S3263-036, S3263-060, S3403, S3403-022 |
| | 48438190 G, J | Power Nozzle - LZ - S3209, S3419, S3425, S3425-022, S3425-032, S3425-060, S3403-022 |
| | 48438058 H + | Power Nozzle - LZ - 4.5' Cord |
| 1 | 46321005 | Attachment Cord 4.5'- AG |
| | 46321088 | Cord - AG - 3.5 |
| 2 | 42252059 A, C, D, E, F, G, H | Body - LS |
| | 42252174 I, J | Body - AAP |
| | 51375042 A, B, C + | Nameplate |
| | 52125095 F + | Nameplate |
| | 52125088 G | Nameplate |
| | 52125107 H + | Nameplate |
| | 52125113 I | Nameplate |
| | 52125096 J | Nameplate |
| 3 | 48416009 | Agitator |
| 2 | 163768 | Strain Relief |
| 5 | 34663003 | Bracket |
| 6 | 43482024 | Nozzle Connector - LZ |
| 7 | 12227 | Insulated Terminal (2 Wire) |
| 8 | 34112005 | * Seal |
| 9 | 34337003 | * Seal |
| 10 | 21447041 | * Screw |
| 11 | 32175025 | Wheel - AG |
| 12 | 31523005 | Wheel Shaft |
| 13 | 42246120 | Base Plate |
| 14 | 21447007 | * Screw |
| 15 | 34337004 | * Seal |
| 16 | 42256090 | + Duct Cover |
| 17 | 34123015 | * Duct Cover Seal |
| 18 | 35276001 | * Detent Spring |
| 19 | 43177073 | Motor |
| 20 | 35271001 | Bracket - LH |
| 21 | 38528011 | Belt |

| Ref. No. | Part No. | Description |
|----------|----------|-----------------|
| | 48416009 | Agitator |
| 1 | 41435018 | Thread Guard |
| 2 | 43267002 | Bearing |
| 3 | 21347003 | * Spring Washer |
| 4 | 36422001 | End |
| 5 | 48445017 | Agitator Brush |
| 6 | 160070 | Shaft |
| 8 | 38537002 | End Pulley |
| 9 | 41435021 | Thread Guard |



| Ref. No. | Part No. | Description |
|----------|----------|---------------------------|
| 1 | 47938 | * Hinge Pin |
| 2 | 170362JM | Cord Clip |
| 3 | 42211354 | + Upper Shell - LB |
| 4 | 35214004 | Hinge Leaf - Upper |
| | 48123AV | +* Lock Ring |
| 6 | 170361JM | + Furniture Guard |
| 7 | 21447017 | +* Screw |
| 8 | 17001FW | * Screw |
| 9 | 170377JM | + Motor Cover |
| 10 | 48969 | * Wire Nut |
| 11 | 21851003 | +* Nut |
| 12 | 170348AW | + Hinge Leaf - Lower |
| 13 | 27479307 | Wire Tie |
| 14 | 28212026 | Switch |
| 15 | 31324001 | Spacer |
| 16 | 27482301 | Strain Relief |
| 17 | 46363195 | Cord |
| 18 | 42213210 | + Intermediate Shell - LU |
| 19 | 169293 | Resilient Mount - Upper |
| 20 | 43177017 | + Motor - 1.7 |
| 21 | 31178015 | Compression Pad |
| 22 | 31178012 | Muffler |
| 23 | 41421326 | + Bottom Pan - LU |
| 24 | 23737202 | Caster Wheel |
| 25 | 46326096 | + Receptacle |
| 26 | 38424001 | Pedal - JM |
| 28 | 36151012 | Latch |
| 29 | 39457009 | + Handle - LU |
| 30 | 170352AG | Bag Collar Connector |
| 31 | 48512FW | + Spring |
| 32 | 16439JX | + Latch |
| 33 | 21447024 | + Screw |
| 34 | 34723001 | Retainer Clip |
| 35 | 4010009H | Throw Away Bag (3 Pk.) |
| 36 | 170332BZ | Filter |
| 37 | 52125054 | + Nameplate |
| 38 | 34111002 | Gasket |
| | 56513130 | + Owner Manual |
| | 58185091 | + Carton |
| | 58347002 | + Top Support |
| | 58343015 | + Bottom Support |



| Ref. No. | Part No. | Description |
|----------|----------|--|
| 1 | 21429406 | * Screw |
| 2 | 47318008 | Brush Carrier |
| 3 | 167696AG | Brush Carrier |
| 4 | N/A | Brush Holder - Use Brush Carrier It. 2 |
| 5 | 167681 | Carbon Brush |
| 6 | 27666551 | * Terminal |
| 7 | 38353604 | Spring |
| 8 | 169702BZ | + Bushing |
| 9 | 169707 | Upper Housing |
| 10 | 44765153 | + Armature |
| 11 | 45311021 | Field Coil |
| 12 | 167721FW | Spring |
| 13 | 41823002 | Lower Housing |
| 14 | 169713FW | Mounting Plate |
| 15 | 167695EF | Nut |
| 16 | 169712 | + Interstage |
| 17 | 31742010 | Spacer |
| 18 | 21312774 | + Washer |
| 19 | 43566006 | + Fan |
| 20 | 37218005 | Diffuser |
| 21 | 34786002 | Spring Clip |
| 22 | 33426001 | Nut |
| 23 | 33421004 | + Bolt |

| Ref. No. | Part No. | Description |
|----------|----------|--|
| 1 | 43433085 | Hose - AAP - Celebrity |
| 2 | 43433032 | + Hose - JM - Spirit - 5-1/2' |
| 3 | 43433067 | + Hose - AAP - Spirit - 5-1/2' |
| | 43433081 | + Hose - MV -S/C- Spirit - 5-1/2' |
| | 43433084 | Hose - AAP - S/C - Spirit - 7' |
| | 43433111 | Hose - 2W - AG -S/C - Spirit |
| 4 | 46321076 | Cord Repair Kit |
| 5 | 34777005 | Suction Reg. Control - AG |
| | 34777007 | Suction Reg. Control - MV |
| 6 | 36153009 | Latch Ring - AG |
| 7 | 43468055 | Hose Tube - BL - 14 |
| 8 | 43453086 | + Extension Tube - BL - 22 |
| | 43453035 | + Extension Tube - AX - 22 |
| | 43453052 | Extension Tube - 20 - AX (Gray Clip) |
| | 43453058 | + Extension Tube - BL - 20 (Gray Clip) |
| 9 | 3863801P | Extension Tube -Poly - AG |
| 10 | 43453027 | Extension Tube |
| 11 | 43414073 | Floor Brush - AG |
| 12 | 38614023 | + Furniture Nozzle - 1 Pc. - 17 |
| | 43414057 | Furniture Nozzle - AG |
| | 38614024 | Furniture Nozzle - AG |
| 13 | 43414064 | Dusting Brush - AG |
| 14 | 38617017 | Crevice Tool - AG |
| 15 | 43414015 | + Furniture Brush - JM |
| | 43414016 | Furniture Brush - AG |
| 16 | 38644040 | Swivel Connector - JM |
| | 38644020 | Swivel Connector - AG |
| 17 | 33712007 | Split Ring |
| 18 | 48447001 | + Brush Back |
| 19 | 12845JM | Gasket |
| 20 | 12783 | +* Rivet |
| 21 | 36171008 | Cord Clip - MV |
| | 36171005 | Cord Clip - AG |
| 22 | 13275 | +* Screw |
| 23 | 13142AG | Suction Control |
| 24 | 13257BZ | Support |

