

Ref. No.	Part No.	Description
1	37215124	+ Cord Reel Cover - KX
2	36218014	+ Cord Guide - LZ
3	46363224	Attach. Cord - AAP - 20
4	46831106	Cord Reel - AAP
5	31193010	+ Seal
6	21366004	* Speed Nut
8	47348045	Brush Block
10	48969	* Wire Nut
11	37215133	+ Cover Plate - KX
12	21447003	* Screw
13	47938	* Hinge Pin
14	42211302	+ Upper Shell - KX
15	27482120	Strain Relief
16	48123AV	+* Lock Ring
17	170361JM	+ Furniture Guard
18	21447014	* Screw
19	21447003	* Screw
20	38764006	Filter
21	17001FW	* Screw
22	27482227	Strain Relief
23	37196060	+ Motor Cover - JM
24	46311142	Pigtail Cord
25	27479307	Wire Tie
26	36921008	+ Rest Pad - LU
27	170348AW	+ Hinge Leaf - Lower
28	42213354	Intermediate Shell - MD
29	169293	Resilient Mount - Upper
30	43577074	+ Motor - 3.7 - (P-129)
31	31178015	Compression Pad
32	31178012	Muffler
33	34111002	Gasket
34	23737202	Caster Wheel
35	41421109	Bottom Pan - MD
36	36151012	Latch
37	39457006	+ Handle
38	170352AG	Bag Collar Connector
39	48512FW	+ Spring
40	16439EW	+ Latch
41	21447078	* Screw
42	21447014	* Screw
43	21851003	+* Nut
44	4010009H	Throw Away Bag - 3 Pk.
45	38198	+ Screw
47	52125079	+ Nameplate
48	38332001	+ Spring
49	43138024	+ Brake Assm. w/Pad
50	28212008	+ Switch
51	21447017	+* Screw
52	34661007	+ Cam
53	34783003	Spring
54	38433061	+ Brake Pedal - MD
55	31514004	+ Shaft
56	38433047	+ Switch Pedal - MD
57	36433034	Tool Rack - KX
58	35214004	Hinge Leaf - Upper

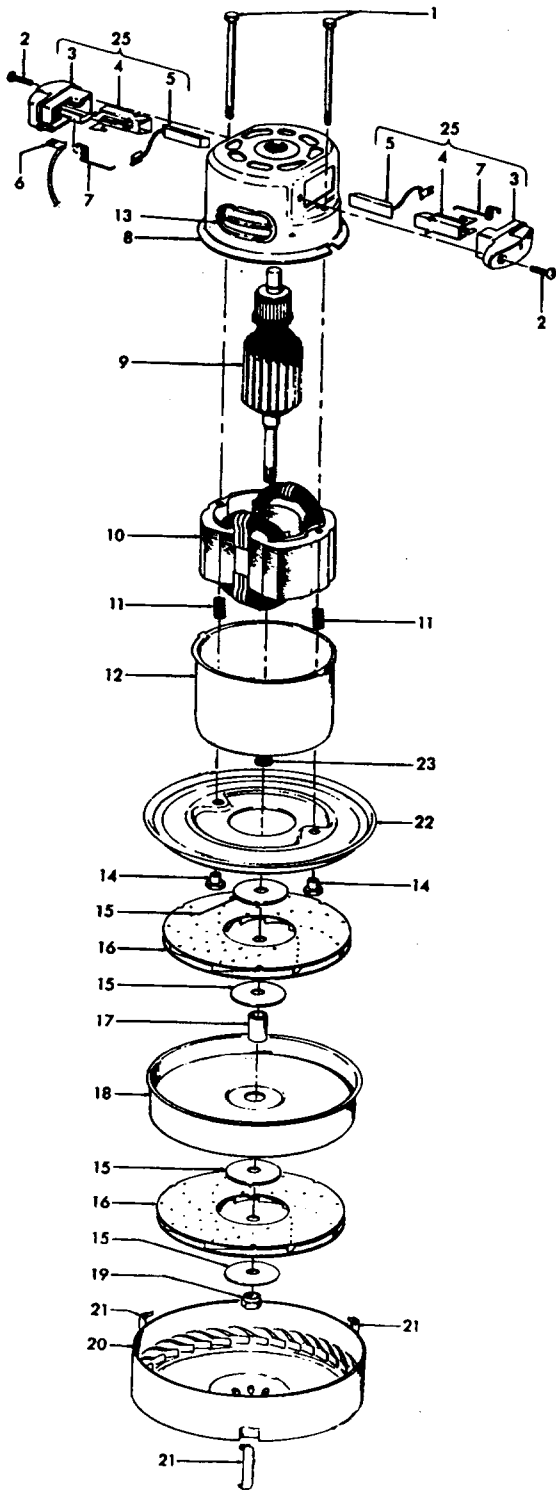
ITEMS NOT ILLUSTRATED

46831076 Commutator (Component of Cord Reel Assm.)

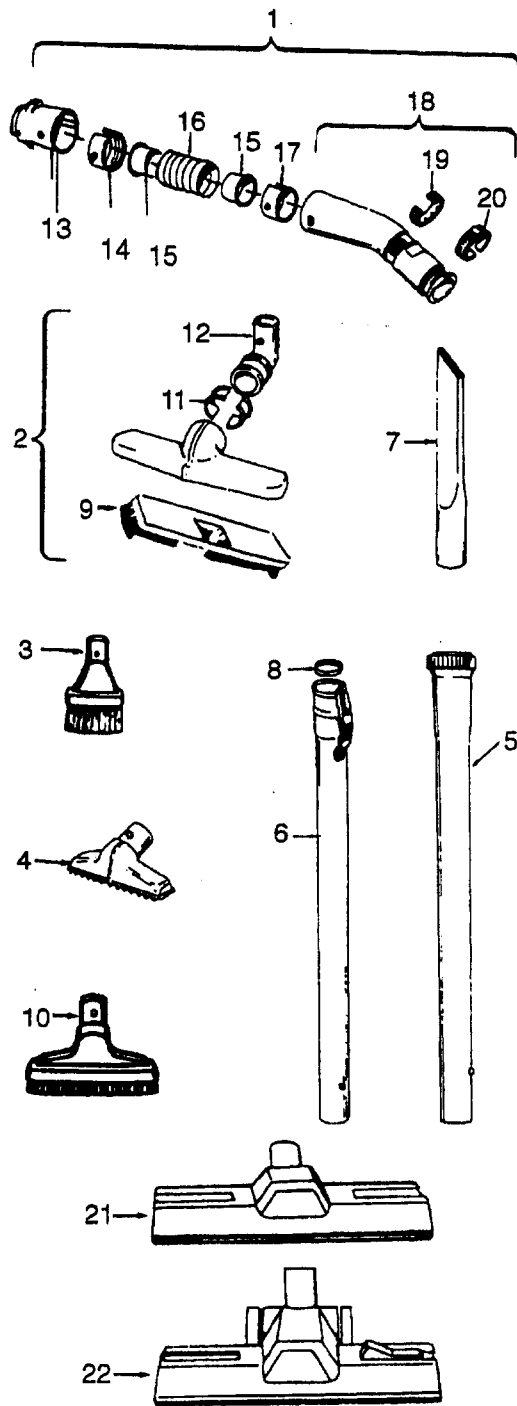
56513131 + Owner Manual

Cleaning Tools - (P-93)

- 43414057 Furniture Nozzle
- 38617017 Crevice Tool - AAP
- 43414064 Dusting Brush - AG
- 43434191 Hose - JM
- 3863801P Extension Tube - Poly - AG
- 43414073 Floor Brush - AAP
- 43414101 + Rug & Floor Nozzle - AAP P-94/188



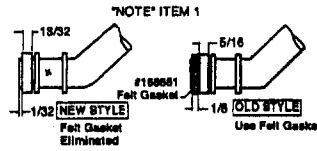
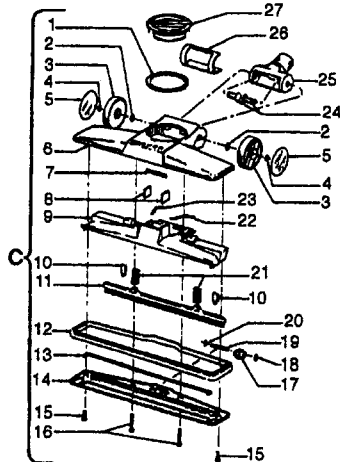
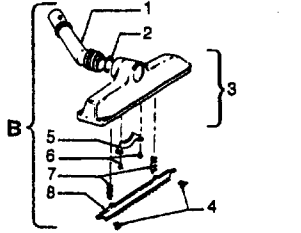
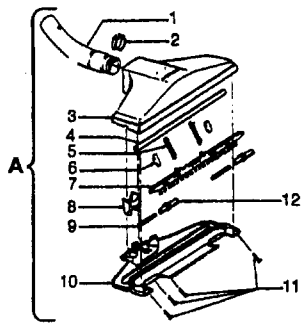
Ref. No.	Part No.	Description
1	43577074	+ Motor Comp.
1	12022-	Field Bolt
2	21429406	* Screw
3	168038AG	Brush Carrier
4	168506	Brush Holder
5	167679	Carbon Brush
6	27666551	* Terminal
7	38353004	Spring
8	169706	Motor Housing - Upper
9	44765106	Armature
10	45311022	+ Field Coil
11	167721FW	Spring
12	41823001	Motor Housing - Lower
13	169702BZ	+ Bushing
14	167695EF	Washer
15	21312774	+ Washer
16	43566006	+ Fan
17	31732003	Spacer
18	169712	+ Interstage
19	33426001	Nut
20	37218005	Diffuser
21	34786002	Spring Clip
22	169713FW	Mounting Plate
23	31148002	Spacer
25	168506	Brush Carrier Assm.



Ref. No.	Part No.	Description
1	43434191	Hose - JM - S/C - 6'Wire - Celebrity
	43434155	+ Hose - JM - S/C - 6'Wire - Spirit
	43434013	Hose Assem. - Stretch (not pictured)
	43434065	+ Hose - JM - 6'Wire - Spirit
	43434130	+ Hose - JM - 7.5'Molded - Spirit
	43434131	+ Hose - AAP - 7.5'- Molded - Spirit
	43434125	+ Hose - AAP - S/C - 7'- Molded - Spirit
	43434126	+ Hose - AAV - S/C - 6'- Molded - Spirit
	43434231	Hose - AAP - 6'- Molded - Spirit
	43434233	Hose - AG/ABX 6'Molded - Sprint
	2	43414072
43414073		Floor Brush - AG
3	43414064	Dusting Brush - AG
4	43414057	Furniture Nozzle - AAP
	38614020	+ Furniture Nozzle - JM - 1 Pc.
5	38614024	Furniture Nozzle - AG - 1 Pc.
	43453037	+ Extension Tube - Poly - 20 - JM
6	3863801P	Extension Tube - Poly - AG
	43453052	Extension Tube - 20 - AX
7	38617017	Crevice Tool - AG
8	12845JM	Gasket
9	48447001	+ Brush Back
10	43414015	+ Furniture Brush - JM
	43414016	Furniture Brush - AG
11	33712007	Split Ring
12	38644020	Swivel Connector - AG
	38644040	Swivel Connector - AAP
13	32855003	Hose Connector - Celeb.
	38638017	Hose Connector - AAP - Molded Hose
	38638019	Hose Connection - AAP
	38638039	Hose Connector - AG - Molded Hose
14	12615BZ	Collar (All Wire Hoses)
	38671011	Collar (Molded Hoses)
15	32156010	Sleeve (All Hoses)
	38671029	Hose - 6'- AAV - Molded
16	38671033	+ Hose - 6'- ABX - Molded
	36116006	Collar (All Wire Hoses)
17	36171025	Collar (Molded Hose)
	43466044	Hose Grip -AAP -S/C
18	43466066	Hose Grip - AG
	38711006	Suction Control Ring - JM
19	38711007	+ Suction Control Ring - MV
	36153009	Latch Ring - AG
20	43414139	+ Rug & Floor Nozzle - AAP - (P - 188)
	0M114169	Rug & Floor Nozzle - ABE - (P - 188)
21	43414101	+ Rug & Floor Nozzle - DLX - (P - 188)
22		

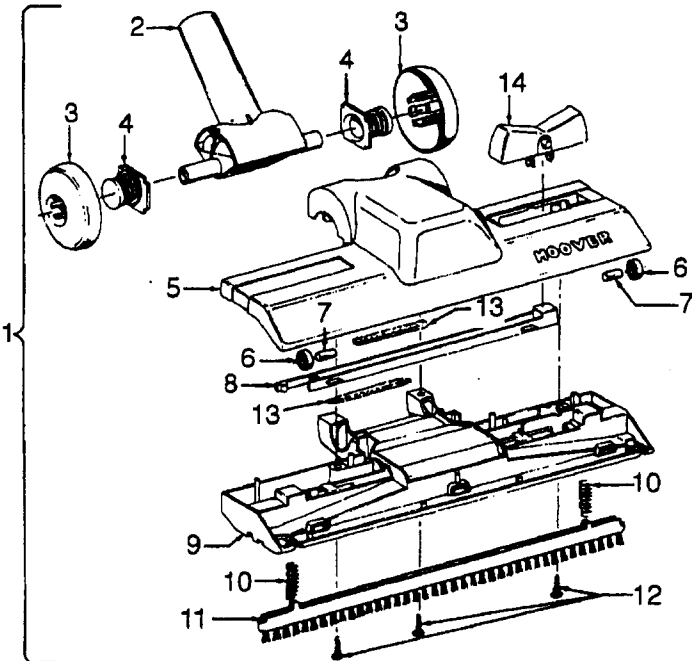
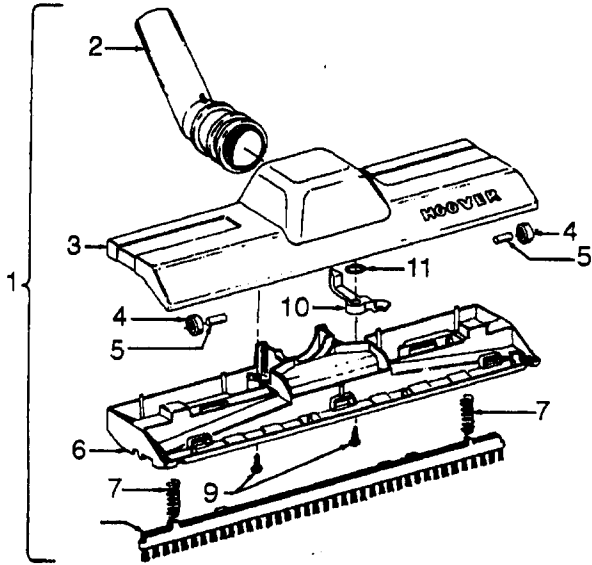
Rug & Floor Nozzle

Models S3183, S3187, S3187-030, S3203, S3205, S3207, S3215, S3241, S3247, S3257, S3259, S3289, S3291, S3299, S3299-031, S3401



A	48476026	+ Rug & Floor Nozzle - AAP - S3205, S3299, S3299-031 (Replaced by 43414101 +)
1	43463012	+ Connector Tube
2	13267	+* Felt Gasket
3	38615156	Nozzle Body - JM - S3299
4	13259PH	+ Litter Picker
5	15963FW	+ Spring
6	13261AY	* Rib Shoe
7	16184	Brush Back
8	161413	+* Tube Retainer
9	31524005	Roller Shaft
10	42246002	+ Bottom Plate
11	12955	* Screw
12	13157AG	+ Roller
B	43414105	+ Rug & Floor Nozzle - AAP - S3183, S3203, S3215, S3241, S3247, S3289, S3291, S3401 (Replaced by 43414121)
1	166652JM	Nozzle Tube (See Note)
2	166651	Gasket
3	43414089	Nozzle Body - JM
4	166646	Brush Retainer
5	166650AY	+ Tube Clamp
6	166648AW	+* Screw
7	166649FW	Spring
8	166656	Brush Back
C	48476064	+ Rug & Floor Nozzle - AAP - S3187, S3187-030 (Replaced by 43414101)
	48476066	+ Rug & Floor Nozzle - JM - S3207, S3257 (Replaced by 43414101)
	43414101	+ Rug & Floor Nozzle - MX - S3259
1	34113001	+ Foam Seal
2	169241AW	* Washer
3	169239JR	+ Wheel
	169239AG	Wheel - S3207
4	13730	* Lock Ring
5	169242	Wheel Cover
6	38615161	+ Nozzle Body - JM
7	34112001	* Foam Seal
8	34223002	+ Felt Seal
9	169250AG	+ Brush Housing
10	169253AY	+ Rib Shoe
11	169256	+ Brush Back
12	169247JR	+ Furniture Guard
	169247JM	+ Furniture Guard - S3207, S3257
13	169251	+ Gasket
14	169538	+ Bottom Plate
15	21481464	+ Screw
16	21481465	+ Screw
17	169243AG	Roller
18	21312758	+* Washer
19	169244AW	Roller Shaft
20	24735081	* Lock Ring
21	166649FW	Spring
22	34513001	Foam Seal - L.H.
23	34513002	Foam Seal - R.H.
24	169240AY	+ Wheel Shaft
25	169249JM	+ Connector Tube
26	34122006	Seal
27	169254JM	+ Control Knob

Rug & Floor Nozzle



Ref. No.	Part No.	Description
1	43414121	+ Standard Rug & Floor Nozzle Assem. - AAP
	43414139	+ Standard Rug & Floor Nozzle Assem. - AAP
	43414140	Standard Rug & Floor Nozzle Assem. - ABE (S3393-020, S3521)
	0M114169	Standard Rug & Floor Nozzle - ABX - S1221, S1315, S1337, S3393-040
	43414170	+ Standard Rug & Floor Nozzle AG - S1339, S3547
	43414172	Standard Rug & Floor Nozzle - AG
2	38646039	Nozzle Tube - AG
3	38615153	+ Rug & Floor Nozzle - AAP
	38615182	Rug & Floor Nozzle - ABE S3393-020, S3521, S1339, S3547, S1221, S1315, S1337
4	38521018	Roller (2) (Nozzle 43414172 req's 4)
5	31511004	Roller Axle - AY (2) (Nozzle 43414172 req's 4)
6	36414018	Brush Housing S1221, S1315, S1337
7	166649FW	Spring (2)
8	48443003	Brush Back Assem. - AG
9	21447203	Screw - Self Tapping (2)
10	38454004	Brush Back Lever - MV
	38454006	+ Brush Back Lever - ABN S3393-020, S3521, S1221 S1339, S3547
11	21329105	+ Felt Washer

Ref. No.	Part No.	Description
1	43414101	+ Deluxe Rug & Floor Nozzle Assem. - AAP
2	38646045	Nozzle Connector - AAP
3	43244043	Wheel & Bearing Assem. (2)
4	38511016	Wheel Bearing - AAT (2)
5	38615180	Rug & Floor Nozzle - AAP
6	38521018	Roller (2)
7	31511004	Roller Axle - AY (2)
8	38451008	Slider - AG
9	36414013	+ Brush Housing - MV
10	166649FW	Spring (2)
11	48443004	Brush Back Assem. - AG
12	21447203	Screw - Self Tapping (3)
13	34122013	+ Seal (2)
14	38434015	Pedal - MV