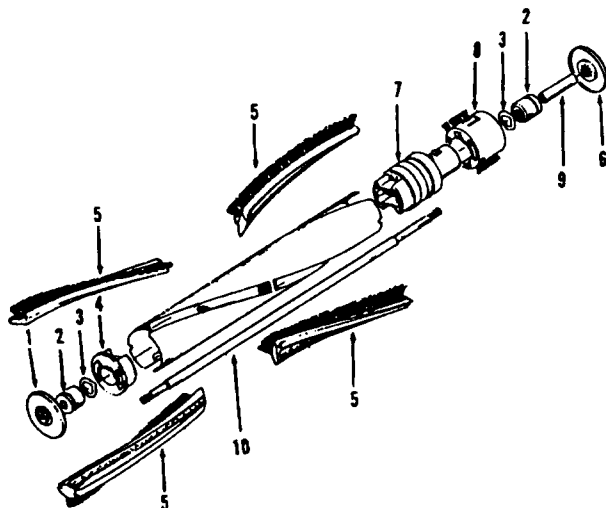
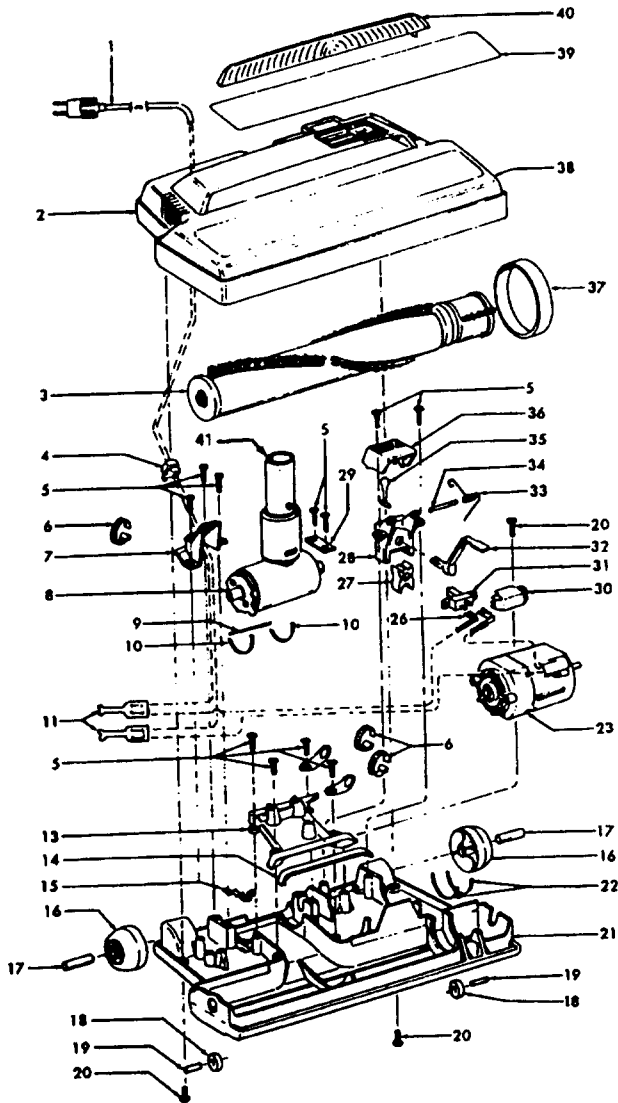


# Powered Nozzle & Agitator

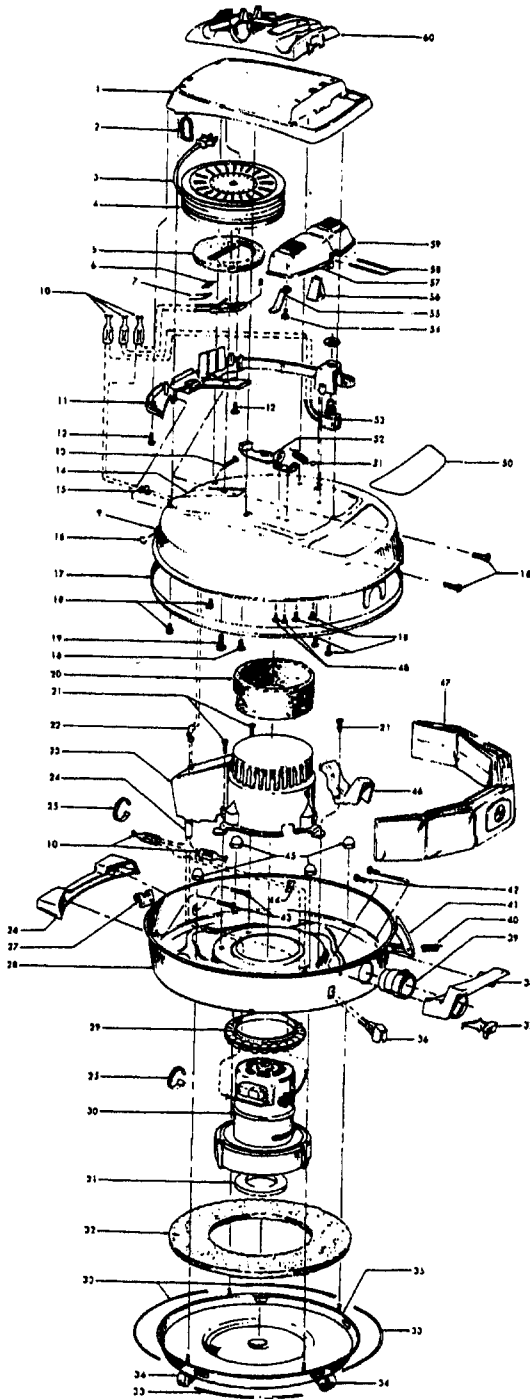
Models S3195, S3195-030



| Ref. No. | Part No. | Description                                |
|----------|----------|--|
| 1        | 46321005 | Attachment Cord                            |
| 2        | 36231096 | Furniture Guard - MY                       |
| 3        | 48416030 | Agitator - 4B                              |
| 4        | 163768   | Strain Relief                              |
| 5        | 21447041 | * Screw                                    |
| 6        | 27479307 | * Wire Tie                                 |
| 7        | 36131020 | Retainer Housing                           |
| 8        | 43461021 | Nozzle Connector - AG                      |
| 9        | 34112005 | * Seal                                     |
| 10       | 34337003 | * Seal                                     |
| 11       | 48969    | * Wire Nut                                 |
| 13       | 42256098 | Duct Cover                                 |
| 14       | 34123017 | * Seal                                     |
| 15       | 35276001 | * Detent Spring                            |
| 16       | 32175025 | Wheel - AG                                 |
| 17       | 31523005 | Shaft                                      |
| 18       | 32761001 | Wheel                                      |
| 19       | 31522004 | Wheel Shaft                                |
| 20       | 21447007 | * Screw                                    |
| 21       | 42246121 | Base Plate (Inc. items 16, 17, 18, 19, 22) |
| 22       | 34337004 | * Seal                                     |
| 23       | 43177073 | Motor                                      |
| 26       | 27666702 | * Terminal                                 |
| 27       | 34361001 | Switch Actuator                            |
| 28       | 42262032 | Housing                                    |
| 29       | 36131017 | * Retainer                                 |
| 30       | 37258082 | Shield                                     |
| 31       | 281770KD | Switch                                     |
| 32       | 51151053 | Indicator                                  |
| 33       | 38353007 | Torsion Spring                             |
| 34       | 31523006 | Pivot Pin                                  |
| 35       | 38458002 | * Depressor                                |
| 36       | 38433044 | Switch Pedal - MY                          |
| 37       | 38528011 | Belt                                       |
| 38       | 42252189 | Nozzle Body                                |
| 39       | 52125092 | Nameplate                                  |
| 40       | 37246100 | + Panel-LB                                 |
| 41       | 43457037 | Swivel Tube - AG                           |
|          | 48438016 | Power Nozzle - LB                          |

## Agitator

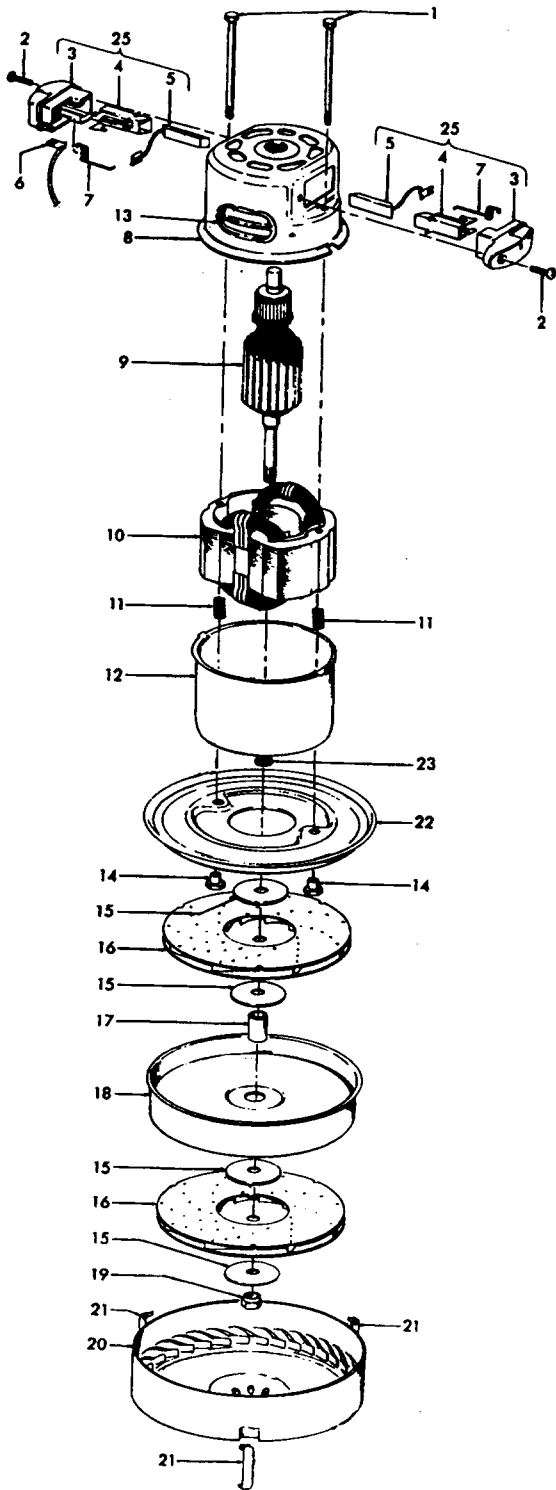
|    |          |                            |
|----|----------|----------------------------|
| 1  | 48495AY  | Thread Guard               |
| 2  | 43267002 | Bearing                    |
| 3  | 21347003 | * Washer                   |
| 4  | 41435023 | Agit. End (Inc. items 2,3) |
| 5  | 48445017 | Agitator Brush             |
| 6  | 41435018 | Thread Guard               |
| 7  | 38537008 | End Pulley                 |
| 8  | 48418001 | Brush Ring                 |
| 9  | 31722019 | Spacer                     |
| 10 | 32724005 | Shaft                      |
|    | 48416030 | Agitator Comp.             |



| Ref. No. | Part No. | Description               |
|----------|----------|---------------------------|
| 1        | 37215125 | + Cord Reel Cover - LB    |
| 2        | 36218014 | + Cord Guide - LZ         |
| 3        | 46363224 | Attach. Cord - AAP - 20   |
| 4        | 46831106 | Cord Reel - AAP           |
| 5        | 31193010 | + Seal                    |
| 6        | 21366004 | * Speed Nut               |
| 7        | 34141004 | +* Wire Shield            |
| 8        | 47348045 | Brush Block               |
| 9        | 35214004 | Hinge Leaf - Upper        |
| 10       | 48969    | * Wire Nut                |
| 11       | 37215135 | + Cover Plate - LB        |
| 12       | 21447003 | * Screw                   |
| 13       | 47938    | * Hinge Pin               |
| 14       | 42211304 | + Upper Shell - LB        |
| 15       | 27482120 | Strain Relief             |
| 16       | 48123AV  | +* Lock Ring              |
| 17       | 170361JM | + Furniture Guard         |
| 18       | 21447014 | * Screw                   |
| 19       | 21447003 | * Screw                   |
| 20       | 38764006 | Filter                    |
| 21       | 17001FW  | * Screw                   |
| 22       | 27482227 | Strain Relief             |
| 23       | 37196070 | Motor Cover - JM          |
| 24       | 46311142 | Pigtail Cord              |
| 25       | 27479307 | * Wire Tie                |
| 26       | 36921008 | + Rest Pad - LU           |
| 27       | 170348AV | + Hinge Leaf - Lower      |
| 28       | 42213029 | + Intermediate Shell - LU |
| 29       | 169293   | Resilient Mount - Upper   |
| 30       | 43577074 | + Motor - 3.7 - (P - 129) |
| 31       | 31178015 | Compression Pad           |
| 32       | 31178012 | Muffler                   |
| 33       | 34111002 | Gasket                    |
| 34       | 23737202 | Caster Wheel              |
| 35       | 41421109 | Bottom Pan - LU           |
| 36       | 46326096 | + Receptacle - JM         |
| 37       | 36151012 | Latch                     |
| 38       | 39457009 | + Handle - LU             |
| 39       | 170352AG | Bag Collar Connector      |
| 40       | 48512FW  | + Spring                  |
| 41       | 16439JX  | + Latch                   |
| 42       | 21447078 | * Screw                   |
| 43       | 21447014 | * Screw                   |
| 44       | 34723001 | Retainer Clip             |
| 45       | 21851003 | +* Nut                    |
| 46       | 37959020 | + Wire Cover - JM         |
| 47       | 4010009H | Throw Away Bag (3 Pk.)    |
| 48       | 38198    | + Screw                   |
| 49       | 52125087 | + Nameplate               |
| 50       | 38332001 | + Spring                  |
| 51       | 43138024 | + Brake Assm. w/Pad       |
| 52       | 28212008 | + Switch                  |
| 53       | 21447017 | +* Screw                  |
| 54       | 34661007 | + Cam                     |
| 55       | 34783003 | Spring                    |
| 56       | 38433060 | + Brake Pedal - LU        |
| 57       | 31514004 | + Shaft                   |
| 58       | 38433053 | + Switch Pedal - LU       |
| 59       | 36433031 | Tool Rack - LB            |
| 60       | 56513129 | + Owner Manual            |

ITEMS NOT ILLUSTRATED

|                           |   |
|---------------------------|---|
| 46831076                  | Commutator (Component of Cord Reel Assm.) |
| Cleaning Tools - (P - 92) |   |
| 43414057                  | Furniture Nozzle                          |
| 38617017                  | Crevice Tool - AAP                        |
| 43414064                  | Dusting Brush - AG                        |
| 43453052                  | Extension Tube - 20 -AX                   |
| 43453023                  | Hose Tube Curved - AX                     |
| 43433085                  | Hose - AAP                                |
| 48438016                  | Power Nozzle - LB - (P - 87)              |
| 43414073                  | Floor Brush - AAP                         |



| Ref. No. | Part No. | Description           |
|----------|----------|-----------------------|
| 1        | 43577074 | + Motor Comp.         |
| 1        | 12022-   | Field Bolt            |
| 2        | 21429406 | * Screw               |
| 3        | 168038AG | Brush Carrier         |
| 4        | 168506   | Brush Holder          |
| 5        | 167679   | Carbon Brush          |
| 6        | 27666551 | * Terminal            |
| 7        | 38353004 | Spring                |
| 8        | 169706   | Motor Housing - Upper |
| 9        | 44765106 | Armature              |
| 10       | 45311022 | + Field Coil          |
| 11       | 167721FW | Spring                |
| 12       | 41823001 | Motor Housing - Lower |
| 13       | 169702BZ | + Bushing             |
| 14       | 167695EF | Washer                |
| 15       | 21312774 | + Washer              |
| 16       | 43566006 | + Fan                 |
| 17       | 31732003 | Spacer                |
| 18       | 169712   | + Interstage          |
| 19       | 33426001 | Nut                   |
| 20       | 37218005 | Diffuser              |
| 21       | 34786002 | Spring Clip           |
| 22       | 169713FW | Mounting Plate        |
| 23       | 31148002 | Spacer                |
| 25       | 168506   | Brush Carrier Assm.   |

| Ref. No. | Part No. | Description                            |
|----------|----------|--|
| 1        | 43433085 | Hose - AAP - Celebrity                 |
| 2        | 43433032 | + Hose - JM - Spirit - 5-1/2'          |
| 3        | 43433067 | + Hose - AAP - Spirit - 5-1/2'         |
|          | 43433081 | + Hose - MV -S/C- Spirit - 5-1/2'      |
|          | 43433084 | Hose - AAP - S/C - Spirit - 7'         |
|          | 43433111 | Hose - 2W - AG -S/C - Spirit           |
| 4        | 46321076 | Cord Repair Kit                        |
| 5        | 34777005 | Suction Reg. Control - AG              |
|          | 34777007 | Suction Reg. Control - MV              |
| 6        | 36153009 | Latch Ring - AG                        |
| 7        | 43468055 | Hose Tube - BL - 14                    |
| 8        | 43453086 | + Extension Tube - BL - 22             |
|          | 43453035 | + Extension Tube - AX - 22             |
|          | 43453052 | Extension Tube - 20 - AX (Gray Clip)   |
|          | 43453058 | + Extension Tube - BL - 20 (Gray Clip) |
| 9        | 3863801P | Extension Tube -Poly - AG              |
| 10       | 43453027 | Extension Tube                         |
| 11       | 43414073 | Floor Brush - AG                       |
| 12       | 38614023 | + Furniture Nozzle - 1 Pc. - 17        |
|          | 43414057 | Furniture Nozzle - AG                  |
|          | 38614024 | Furniture Nozzle - AG                  |
| 13       | 43414064 | Dusting Brush - AG                     |
| 14       | 38617017 | Crevice Tool - AG                      |
| 15       | 43414015 | + Furniture Brush - JM                 |
|          | 43414016 | Furniture Brush - AG                   |
| 16       | 38644040 | Swivel Connector - JM                  |
|          | 38644020 | Swivel Connector - AG                  |
| 17       | 33712007 | Split Ring                             |
| 18       | 48447001 | + Brush Back                           |
| 19       | 12845JM  | Gasket                                 |
| 20       | 12783    | +* Rivet                               |
| 21       | 36171008 | Cord Clip - MV                         |
|          | 36171005 | Cord Clip - AG                         |
| 22       | 13275    | +* Screw                               |
| 23       | 13142AG  | Suction Control                        |
| 24       | 13257BZ  | Support                                |

