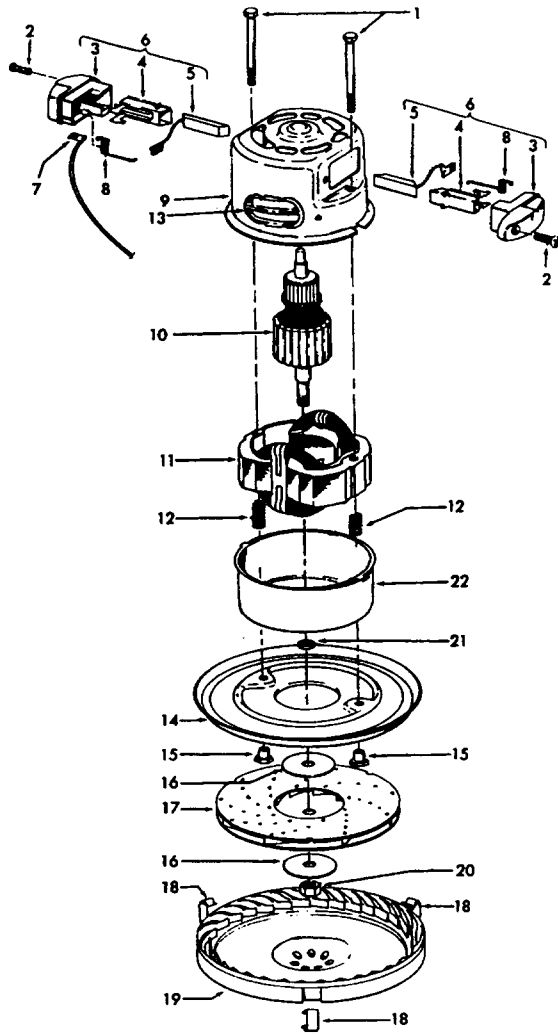


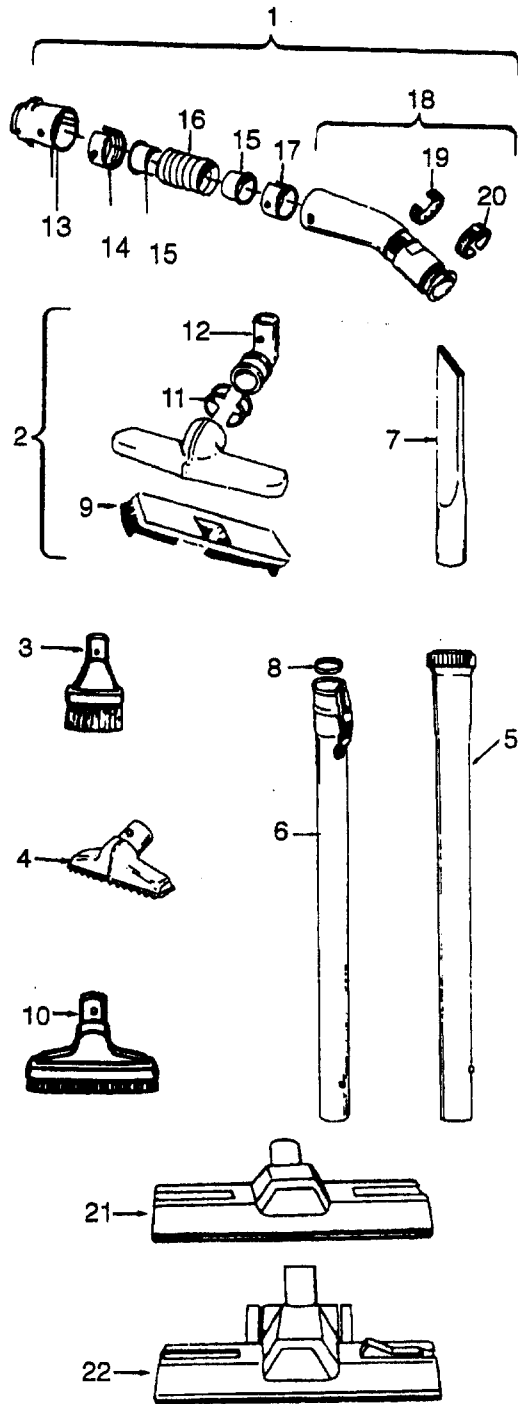
Ref. No.	Part No.	Description
1	47938	* Hinge Pin
2	170362JM	Cord Clip
3	170351	+ Hinge Leaf - Upper
4	48123AV	+* Lock Ring
5	42211027	+ Upper Shell - JV
6	170361JM	+ Furniture Guard
7	21447017	+* Screw
8	17001FW	* Screw
9	170377JM	+ Motor Cover
10	48969	* Wire Nut
11	21652003	+ Hex Nut
12	27479307	* Wire Tie
13	170348AW	+ Hinge Leaf - Lower
14	27482301	Strain Relief Bushing
15	46363195	Cord
16	42213068	+ Intermediate Shell -JE
17	169293	Resilient Mount - Upper
19	43177008	+ Motor - (P - 39)
20	169294	Resilient Mount - Lower
21	31114008	+ Muffler
22	31721025	+ Spacer
23	41421331	+ Bottom Pan - JE
24	28212026	Switch
25	31324001	Spacer
26	38424001	Pedal - JM
27	170352AG	Bag Collar Connector
28	36151012	Latch
29	39457006	+ Handle - JM
30	48512FW	+ Spring
31	16439JX	+ Latch
32	21447024	+ Screw
33	4010009H	Throw Away Bag - 3 Pk.
34	170332BZ	Filter
35	51661008	+ Medallion
36	23737202	Caster Wheel
	56513123	+ Owner Manual
	58177087	+ Cleaner Carton
	58259001	+ Top Support
	58343002	+ Bottom Support

Cleaning Tools - (P - 93)
 Rug & Floor Nozzle - (P - 94/188)

S3073, S3073-030, S3079, S3079-030, S3079-035, S3081,
 S3083, S3083-030, S3093, S3121, S3123, S3125, S3125-030,
 S3127, S3131, S3131-030, S3133, S3135, S3147, S3149, S3159
 S3161, S3165, S3167, S3169, S3215



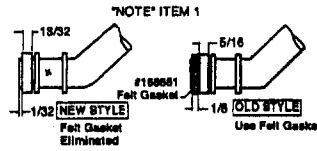
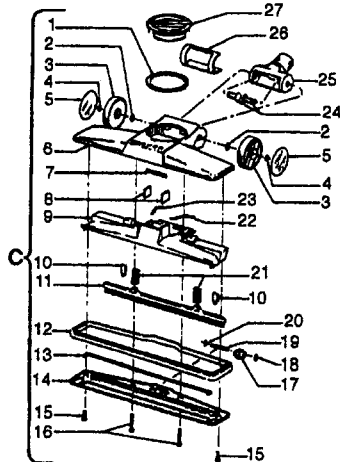
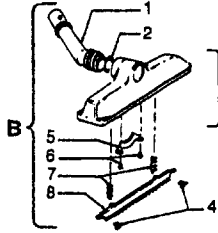
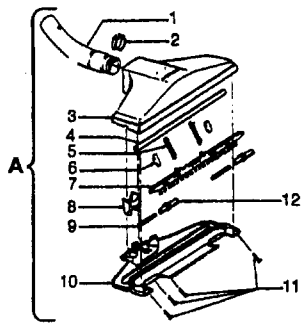
Ref. No.	Part No.	Description
1	33421004	+ Field Lamination Bolt
2	21429406	* Screw
3	167696AG	Brush Housing - Only
4	N/A	Brush Holder - Use Brush Carrier Assem. 47318008 It. 6.
5	167681	Carbon Brush & Terminal
6	47318008	Brush Housing - Comp.
7	27666551	* Terminal
8	38353004	Spring
9	169707	Motor Housing - Upper
10	168479	Armature
11	168470	+ Field
12	167721FW	Spring
13	169702BZ	+ Bushing
14	169713FW	Motor Mounting Plate
15	167695EF	Nut
16	21312774	+ Washer
17	43566006	+ Fan
18	34785004	Spring Clip
19	169714AG	+ Diffuser
20	33426001	Nut
21	31148002	Spacer
22	41823002	Motor Housing - Lower



Ref. No.	Part No.	Description
1	43434191	Hose - JM - S/C - 6'Wire - Celebrity
	43434155	+ Hose - JM - S/C - 6'Wire - Spirit
	43434013	Hose Assem. - Stretch (not pictured)
	43434065	+ Hose - JM - 6'Wire - Spirit
	43434130	+ Hose - JM - 7.5'Molded - Spirit
	43434131	+ Hose - AAP - 7.5'- Molded - Spirit
	43434125	+ Hose - AAP - S/C - 7'- Molded - Spirit
	43434126	+ Hose - AAV - S/C - 6'- Molded - Spirit
	43434231	Hose - AAP - 6'- Molded - Spirit
	43434233	Hose - AG/ABX 6'Molded - Sprint
	2	43414072
43414073		Floor Brush - AG
3	43414064	Dusting Brush - AG
4	43414057	Furniture Nozzle - AAP
	38614020	+ Furniture Nozzle - JM - 1 Pc.
5	38614024	Furniture Nozzle - AG - 1 Pc.
	43453037	+ Extension Tube - Poly - 20 - JM
6	3863801P	Extension Tube - Poly - AG
	43453052	Extension Tube - 20 - AX
7	38617017	Crevice Tool - AG
8	12845JM	Gasket
9	48447001	+ Brush Back
10	43414015	+ Furniture Brush - JM
	43414016	Furniture Brush - AG
11	33712007	Split Ring
12	38644020	Swivel Connector - AG
	38644040	Swivel Connector - AAP
13	32855003	Hose Connector - Celeb.
	38638017	Hose Connector - AAP - Molded Hose
	38638019	Hose Connection - AAP
	38638039	Hose Connector - AG - Molded Hose
14	12615BZ	Collar (All Wire Hoses)
	38671011	Collar (Molded Hoses)
15	32156010	Sleeve (All Hoses)
	38671029	Hose - 6'- AAV - Molded
16	38671033	+ Hose - 6'- ABX - Molded
	36116006	Collar (All Wire Hoses)
17	36171025	Collar (Molded Hose)
	43466044	Hose Grip -AAP -S/C
18	43466066	Hose Grip - AG
	38711006	Suction Control Ring - JM
19	38711007	+ Suction Control Ring - MV
	36153009	Latch Ring - AG
20	43414139	+ Rug & Floor Nozzle - AAP - (P - 188)
	0M114169	Rug & Floor Nozzle - ABE - (P - 188)
21	43414101	+ Rug & Floor Nozzle - DLX - (P - 188)
22		

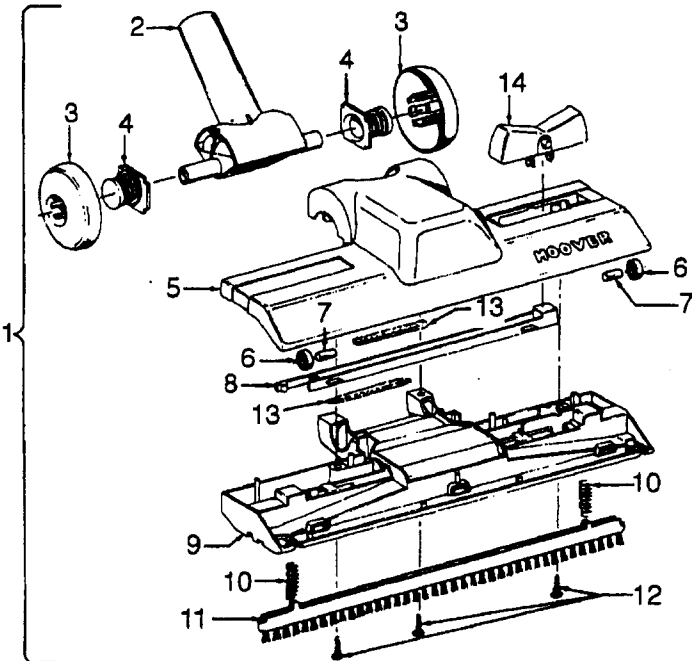
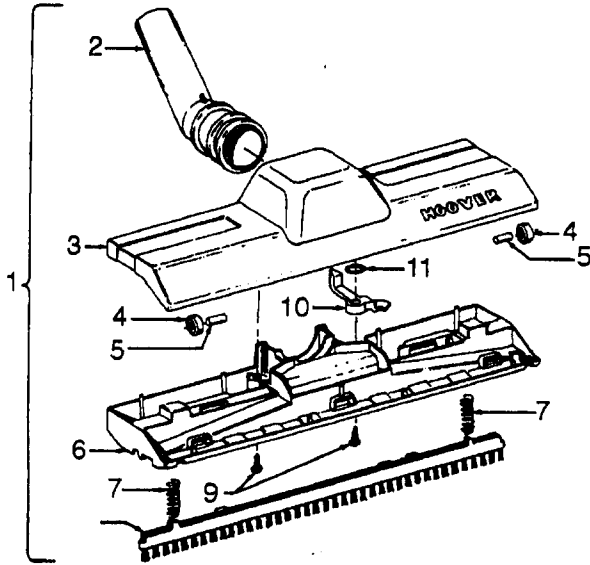
Rug & Floor Nozzle

Models S3183, S3187, S3187-030, S3203, S3205, S3207, S3215, S3241, S3247, S3257, S3259, S3289, S3291, S3299, S3299-031, S3401



A	48476026	+ Rug & Floor Nozzle - AAP - S3205, S3299, S3299-031 (Replaced by 43414101 +)
1	43463012	+ Connector Tube
2	13267	+* Felt Gasket
3	38615156	Nozzle Body - JM - S3299
4	13259PH	+ Litter Picker
5	15963FW	+ Spring
6	13261AY	* Rib Shoe
7	16184	Brush Back
8	161413	+* Tube Retainer
9	31524005	Roller Shaft
10	42246002	+ Bottom Plate
11	12955	* Screw
12	13157AG	+ Roller
B	43414105	+ Rug & Floor Nozzle - AAP - S3183, S3203, S3215, S3241, S3247, S3289, S3291, S3401 (Replaced by 43414121)
1	166652JM	Nozzle Tube (See Note)
2	166651	Gasket
3	43414089	Nozzle Body - JM
4	166646	Brush Retainer
5	166650AY	+ Tube Clamp
6	166648AW	+* Screw
7	166649FW	Spring
8	166656	Brush Back
C	48476064	+ Rug & Floor Nozzle - AAP - S3187, S3187-030 (Replaced by 43414101)
	48476066	+ Rug & Floor Nozzle - JM - S3207, S3257 (Replaced by 43414101)
	43414101	+ Rug & Floor Nozzle - MX - S3259
1	34113001	+ Foam Seal
2	169241AW	* Washer
3	169239JR	+ Wheel
	169239AG	Wheel - S3207
4	13730	* Lock Ring
5	169242	Wheel Cover
6	38615161	+ Nozzle Body - JM
7	34112001	* Foam Seal
8	34223002	+ Felt Seal
9	169250AG	+ Brush Housing
10	169253AY	+ Rib Shoe
11	169256	+ Brush Back
12	169247JR	+ Furniture Guard
	169247JM	+ Furniture Guard - S3207, S3257
13	169251	+ Gasket
14	169538	+ Bottom Plate
15	21481464	+ Screw
16	21481465	+ Screw
17	169243AG	Roller
18	21312758	+* Washer
19	169244AW	Roller Shaft
20	24735081	* Lock Ring
21	166649FW	Spring
22	34513001	Foam Seal - L.H.
23	34513002	Foam Seal - R.H.
24	169240AY	+ Wheel Shaft
25	169249JM	+ Connector Tube
26	34122006	Seal
27	169254JM	+ Control Knob

Rug & Floor Nozzle



Ref. No.	Part No.	Description
1	43414121	+ Standard Rug & Floor Nozzle Assem. - AAP
	43414139	+ Standard Rug & Floor Nozzle Assem. - AAP
	43414140	Standard Rug & Floor Nozzle Assem. - ABE (S3393-020, S3521)
	0M114169	Standard Rug & Floor Nozzle - ABX - S1221, S1315, S1337, S3393-040
	43414170	+ Standard Rug & Floor Nozzle AG - S1339, S3547
	43414172	Standard Rug & Floor Nozzle - AG
2	38646039	Nozzle Tube - AG
3	38615153	+ Rug & Floor Nozzle - AAP
	38615182	Rug & Floor Nozzle - ABE S3393-020, S3521, S1339, S3547, S1221, S1315, S1337
4	38521018	Roller (2) (Nozzle 43414172 req's 4)
5	31511004	Roller Axle - AY (2) (Nozzle 43414172 req's 4)
6	36414018	Brush Housing S1221, S1315, S1337
7	166649FW	Spring (2)
8	48443003	Brush Back Assem. - AG
9	21447203	Screw - Self Tapping (2)
10	38454004	Brush Back Lever - MV
	38454006	+ Brush Back Lever - ABN S3393-020, S3521, S1221 S1339, S3547
11	21329105	+ Felt Washer

Ref. No.	Part No.	Description
1	43414101	+ Deluxe Rug & Floor Nozzle Assem. - AAP
2	38646045	Nozzle Connector - AAP
3	43244043	Wheel & Bearing Assem. (2)
4	38511016	Wheel Bearing - AAT (2)
5	38615180	Rug & Floor Nozzle - AAP
6	38521018	Roller (2)
7	31511004	Roller Axle - AY (2)
8	38451008	Slider - AG
9	36414013	+ Brush Housing - MV
10	166649FW	Spring (2)
11	48443004	Brush Back Assem. - AG
12	21447203	Screw - Self Tapping (3)
13	34122013	+ Seal (2)
14	38434015	Pedal - MV