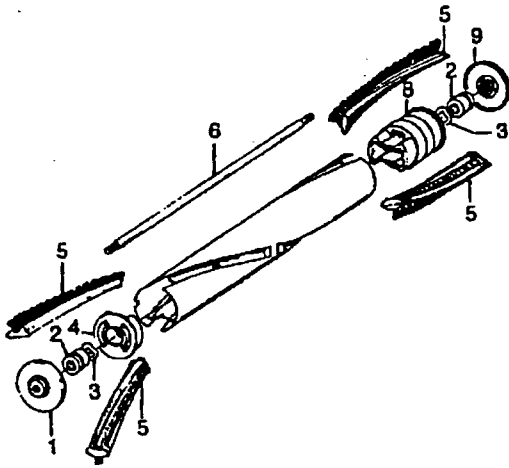


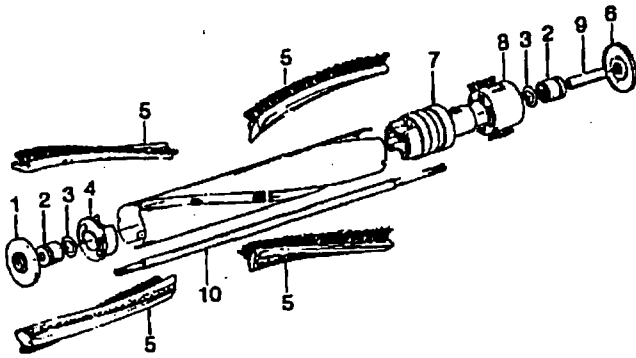
Ref. No.	Part No.	Description
1	39383060	Lens
2	52125074	+ Nameplate - S3239
	52125073	+ Nameplate - S3237
3	46321073	Cord - AAP - 4.5'
4	42252197	Nozzle Body - 1 7
5	36231103	Furniture Guard - MD - S3239
	36231096	Furniture Guard - WW - S3237
6	48416030	Agitator
7	43461021	Nozzle Connector - AG
8	21447041	Screw
9	36131017	Retainer
10	34112005	Seal
11	34337003	Seal
12	47171013	+ Lamp Socket
13	36218005	Isolation Grommet
14	47153001	Locking Plug
15	27479307	* Wire Tie
16	28161050	Rocker Switch
17	46851007	+ Control Panel
18	163768	Strain Relief
19	27666221	+ Terminal
21	42913003	Circuit Board Cover
22	21447016	+ Screw
23	31523005	Wheel Shaft
24	32175025	Wheel
25	32761001	Wheel
26	31522004	Wheel Shaft
27	21447007	Screw
28	42246121	Base Plate
29	34337004	Lower Seal
30	34123017	Seal
31	35276001	Detent Spring
32	42256098	Duct Cover
33	34112010	* Seal
34	21366003	+ Speed Nut
35	43177073	Motor
36	27317307	Lamp
37	37258082	Terminal Shield
38	28177010	Switch
39	38561003	Axle
40	34361001	Switch Actuator
41	38353007	Torsion Spring
42	31523006	Pivot Pin
43	42262032	Housing
44	38458002	Depressor
45	38433071	Switch Pedal - MD
	38433067	+ Switch Pedal - MW
46	38528011	Belt
47	34378010	Upper Seal
48	43457037	Swivel Tube - AG
	48438055	Power Nozzle - TF - Non-Electronic

Agitator

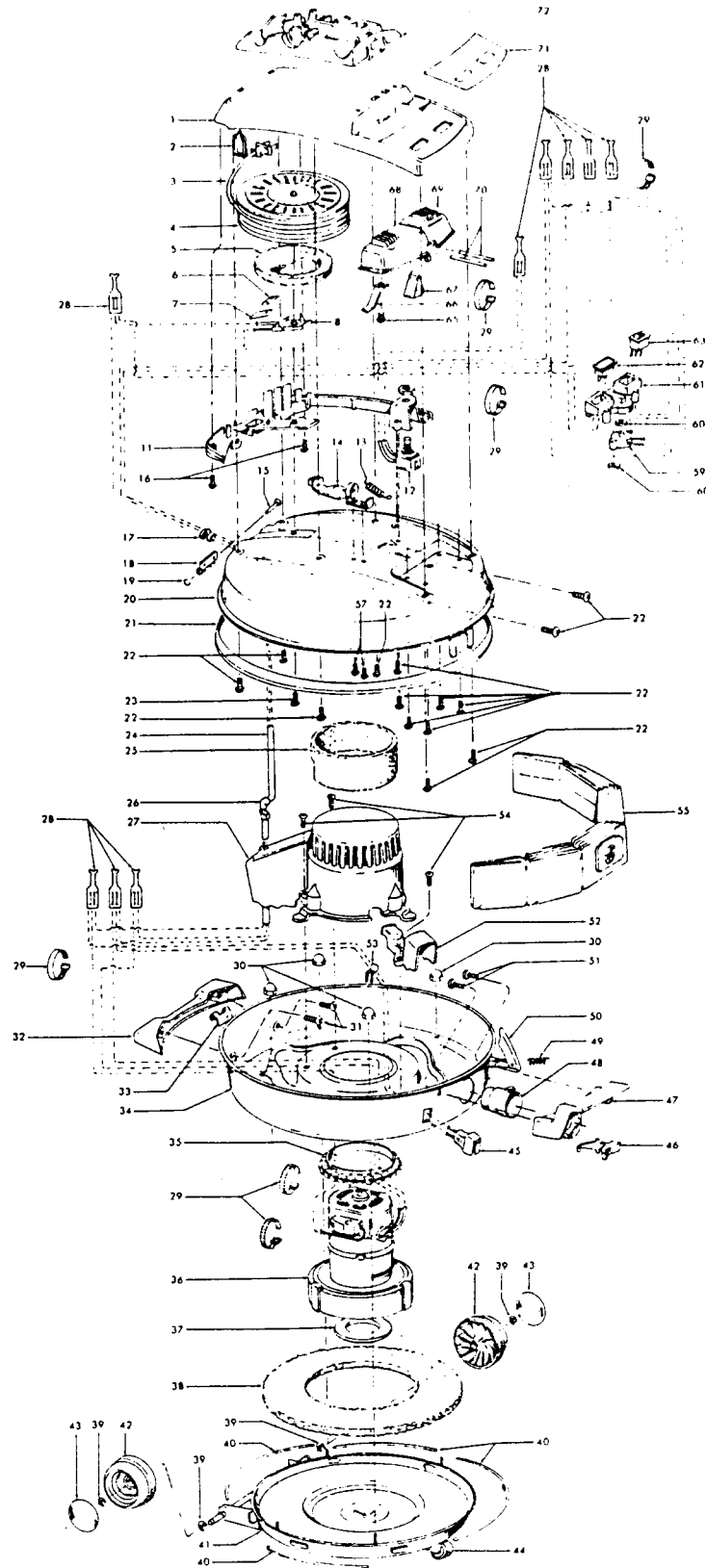
Models S3181, S3189, S3191, S3193, S3195, S3195-030  
 S3199, S3201, S3209, S3211, S3213, S3217, S3219,  
 S3233, S3237, S3239, S3245, S3261, S3263, S3265  
 S3269, S3271, S3403, S3425, S3425-030



Ref. No.	Part No.	Description
1	41435018	Thread Guard
2	43267002	Bearing
3	21347003	Washer
4	36422001	End
	41435023	End - S3425-060
5	48445017	Agitator Brush
6	160070	Shaft
8	38537002	End Pulley
9	41435021	Thread Guard
	48416009	Agitator - S3181, S3189, S3191, S3193, S3217, S3209, S3211, S3213, S3245, S3261, S3263, S3403, S3425-060



Ref. No.	Part No.	Description
1	48495AY	Thread Guard
2	43267002	Bearing
3	21347003	Washer
4	41435023	End
5	48445017	Agitator Brush
6	41435018	Thread Guard
7	38537008	End Pulley
	48418001	Brush Ring
8	48418001	Brush Ring
9	31722019	Spacer
10	32724005	Shaft
	48416030	Agitator Comp.- S3195, S3195-030, S3199, S3201, S3219, S3233, S3237, S3239, S3265, S3269, S3271



**Celebrity**

**Models S3199, S3201, S3237, S3239**

Ref. No.	Part No.	Description
1	37215115	Cord Reel Cover - LB
	37215117	+ Cord Reel Cover - LZ
2	36218014	+ Cord Guide - LZ
3	0M100206	Attach. Cord - AG - 25'
	46383308	Attach. Cord - AAP - 23' - S3237, S3239
4	46831106	Cord Reel - AAP
5	31193010	+ Seal
6	21366004	* Speed Nut
7	34141004	+* Wire Shield
8	47348045	Brush Block
11	37215136	+ Cover Plate - LS - S3199
	37215135	Cover Plate - LB - S3201
	37215137	Cover Plate - LZ - S3237, S3239
12	28212004	Switch
13	38332001	+ Spring
14	43138024	+ Brake Assm. w/Pad
15	47938	* Hinge Pin
16	21447003	* Screw
17	27482120	Strain Relief
18	35214004	Hinge Leaf - Upper
19	48123AV	+* Lock Ring
20	42211267	+ Upper Shell - AX
21	170361LR	+ Furniture Guard
	170361JM	+ Furniture Guard
	170361LZ	+ Furniture Guard
22	21447014	* Screw
23	21447003	* Screw
24	46511006	+ Pigtail Cord
25	38764006	Filter
26	27482227	Strain Relief
27	37196070	Motor Cover - JM
28	48969	* Wire Nut
29	27479307	* Wire Tie
30	21851003	+* Nut
31	21447014	Screw
32	36921011	+ Rest Pad - LT - S3199
	36921008	+ Rest Pad - LU - S3201, S3237, S3239
33	170348AW	+ Hinge Leaf - Lower
34	42213029	+ Intermediate Shell - M
35	169293	Resilient Mount - Upper
36	43577093	Motor - 3.7 - (P - 90)
37	31178015	Compression Pad
38	31178012	Muffler
39	13730	* Lock Ring
40	34111002	Gasket
41	41421276	+ Bottom Pan - M - S3199, S3201, S3237
	41421277	+ Bottom Pan - MD - S3239
42	38522026	+ Rear Wheel - LT - S3199
	38522032	Rear Wheel - S3201, S3237, S3239
43	169242	Wheel Cover - S3199, S3201
	37912013	Wheel Cover - S3237, S3239
44	23737202	Caster Wheel

Ref. No.	Part No.	Description
45	46326096	+ Receptacle - JM
46	36151012	Latch
47	39457006	+ Handle - S3199, S3239, S3237
	39457009	+ Handle - LU - S3201
	39457011	+ Handle - M
	39457012	+ Handle - MD
48	170352AG	Bag Collar Connector
49	48512FW	+ Spring
50	16439LT	+ Latch
	16439JX	+ Latch
	16439EW	+ Latch
51	21447024	+ Screw
52	37959020	+ Wire Cover - JM
53	34723001	Retainer Clip
54	17001FW	* Screw
55	4010009H	Throw Away Bag (3 Pk.)
57	38198	+ Screw
59	28375002	+ Vacuum Switch
60	31144003	+ Foam Seal
61	42914004	+ Switch Mount
62	27333004	Indicator Light
63	28162006	Switch
65	21447017	+* Screw
66	34661007	+ Brake Pedal Cam
67	34783003	Spring
68	38433057	+ Brake Pedal - LT - S3199
	38433058	Brake Pedal - LU - S3201
	38433060	+ Brake Wheel - WW - S3237
	38433061	+ Brake Pedal - MD - S3239
69	38433052	+ Switch Pedal - LT - S3199
	38433053	+ Switch Pedal - LU - S3201
	38433047	+ Switch Pedal - MD - S3237, S3239
70	31514004	+ Shaft
71	51375052	+ Nameplate
	51375053	+ Nameplate - S3201
	51375048	+ Nameplate - S3199, S3201, S3237
	51375049	+ Nameplate - S3239
72	36433032	Tool Rack - LS - S3199
	36433031	Tool Rack - LB - S3201
	36433034	Tool Rack - LZ - S3237, S3239

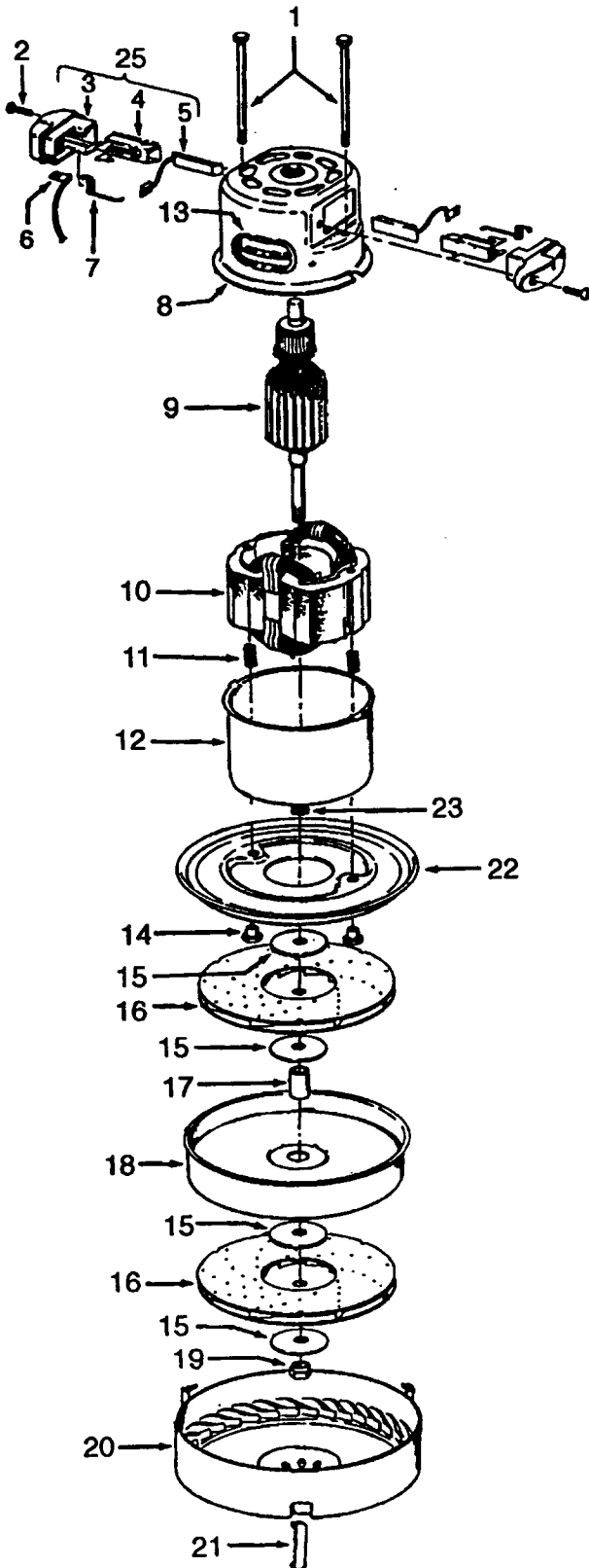
**ITEMS NOT ILLUSTRATED**

46831076	Commutator (Component of Cord Reel Assm.)
56513133	+ Owner Manual - S3199, S3201
56513194	+ Owner Manual - S3237, S3239
58343015	+ Bottom Support
58346003	+ Top Support
58185091	+ Carton - Celebrity w/ Power. Nozzle
Cleaning Tools - (P 92)	
43433085	Hose
48438056	Power Nozzle - MT - (P - 88) - S3199
48438055	Power Nozzle - TF - (P - 88) - S3201
48438059	+ Power Nozzle - LZ - (P - 123) - S3237, S3239 (electronic version no longer available - use 48438055)

# Celebrity Motor

## Models S3129, S3137, S3171, S3187, S3193, S3195, S3199, S3201, S3219, S3237, S3239

Motor - 2 Speed 43577093 (3.7)  
Motor - 43577101 (2.6)



Ref. No.	Part No.	Description
	43577101	Motor - (2.6) S3129, S3137, S3171, S3187, S3193, S3195, S3219
	43577093	Motor Comp. - (3.7) S3199, S3201, S3237, S3239
1	12022	Field Bolt
2	21429406	* Screw
3	168038	Brush Carrier
4	168506--	Brush Holder
5	167679	Carbon Brush
6	27666551	* Terminal
7	38353004	Spring
8	169706	Motor Housing - Upper
9	44765078	Armature (2.6)
	44765106	Armature (3.7)
10	45311017	+ Field Coll (2.6)
	45311018	+ Field Coll (3.7) 2-Speed
11	167721FW	Spring (3.7)
	38311016	+ Spring (2.6)
12	41823001	Motor Housing - Lower
13	169702BZ	+ Bushing
14	167695EF	Nut
15	21312774	+ Washer
16	43566006	+ Fan
17	31732003	Spacer
18	169712	+ Interstage
19	33426001	Nut
20	37218005	Diffuser
21	34786002	Spring Clip
22	169713FW	Mounting Plate
23	31148002	Spacer
25	168506	Brush Carrier Assm.

Ref. No.	Part No.	Description
1	43433085	Hose - AAP - Celebrity
2	43433032	+ Hose - JM - Spirit - 5-1/2'
3	43433067	+ Hose - AAP - Spirit - 5-1/2'
	43433081	+ Hose - MV -S/C- Spirit - 5-1/2'
	43433084	Hose - AAP - S/C - Spirit - 7'
	43433111	Hose - 2W - AG -S/C - Spirit
4	46321076	Cord Repair Kit
5	34777005	Suction Reg. Control - AG
	34777007	Suction Reg. Control - MV
6	36153009	Latch Ring - AG
7	43468055	Hose Tube - BL - 14
8	43453086	+ Extension Tube - BL - 22
	43453035	+ Extension Tube - AX - 22
	43453052	Extension Tube - 20 - AX (Gray Clip)
	43453058	+ Extension Tube - BL - 20 (Gray Clip)
9	3863801P	Extension Tube -Poly - AG
10	43453027	Extension Tube
11	43414073	Floor Brush - AG
12	38614023	+ Furniture Nozzle - 1 Pc. - 17
	43414057	Furniture Nozzle - AG
	38614024	Furniture Nozzle - AG
13	43414064	Dusting Brush - AG
14	38617017	Crevice Tool - AG
15	43414015	+ Furniture Brush - JM
	43414016	Furniture Brush - AG
16	38644040	Swivel Connector - JM
	38644020	Swivel Connector - AG
17	33712007	Split Ring
18	48447001	+ Brush Back
19	12845JM	Gasket
20	12783	+* Rivet
21	36171008	Cord Clip - MV
	36171005	Cord Clip - AG
22	13275	+* Screw
23	13142AG	Suction Control
24	13257BZ	Support

