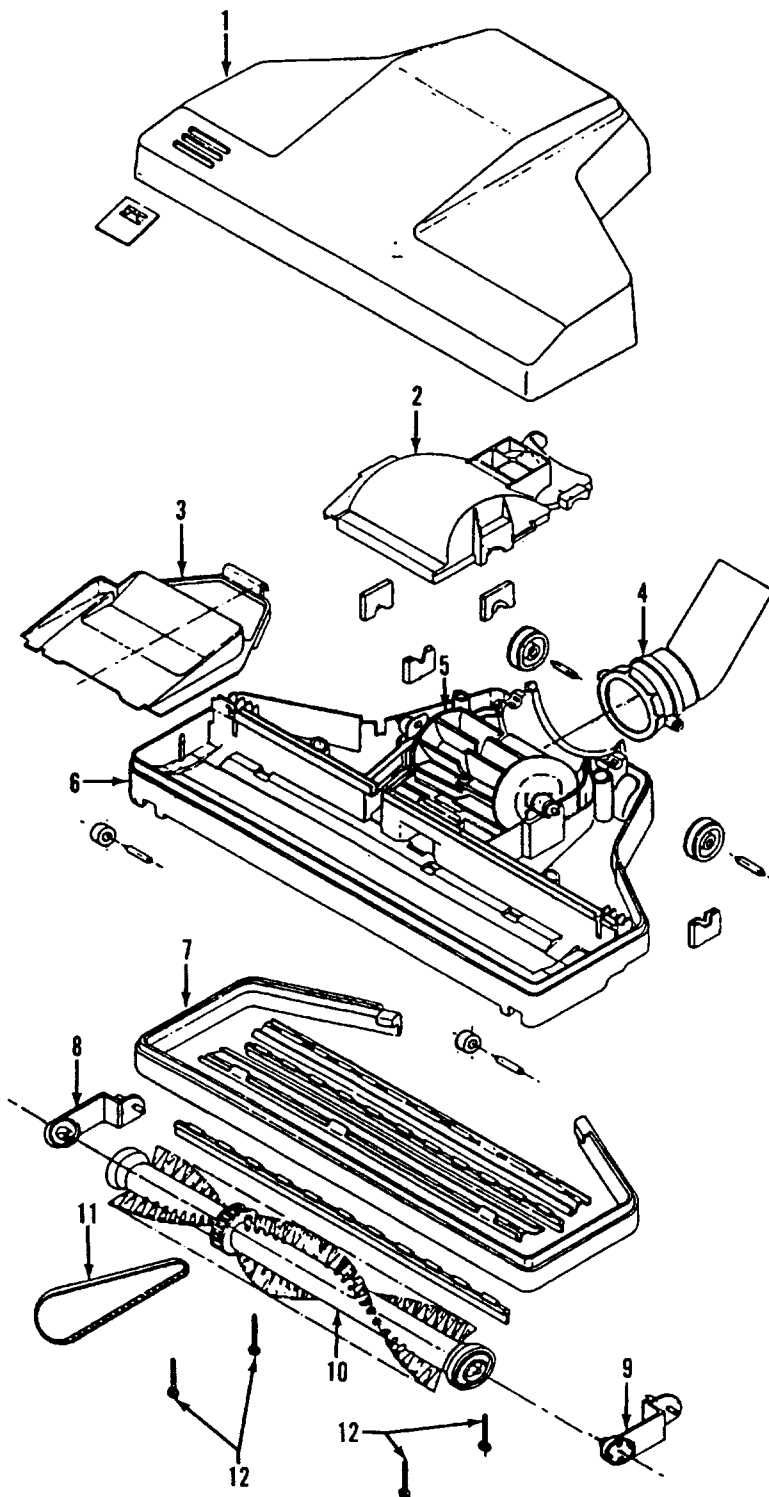
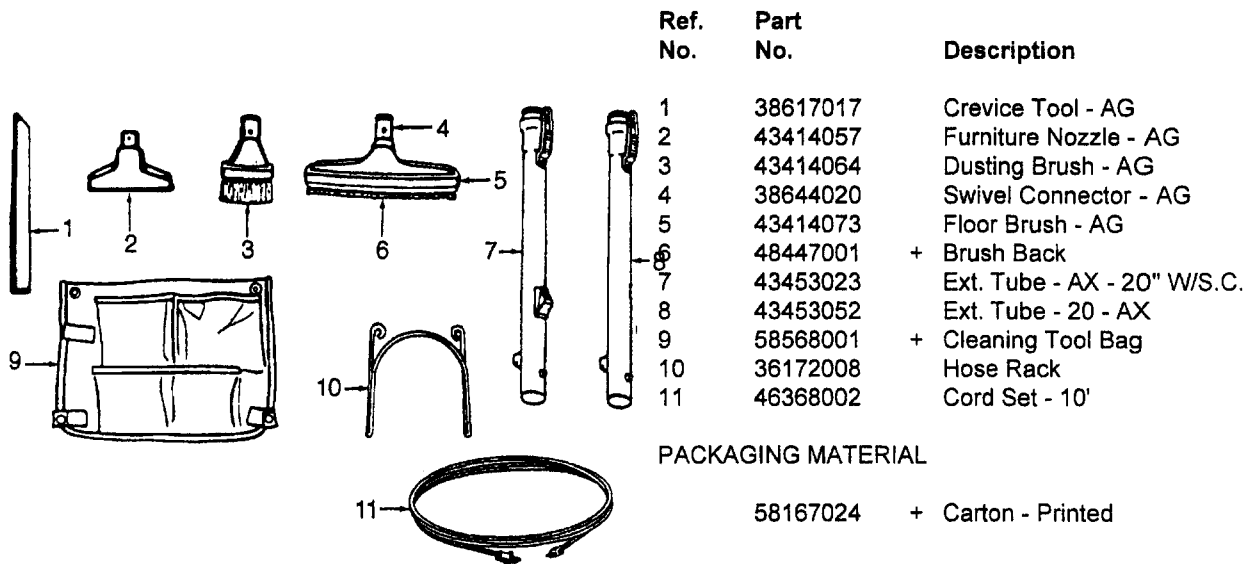


43414110 + Turbine Brush

Ref. No.	Part No.	Description
1	37252070	+ Cover Comp.
2	37914012	+ Turbine Housing
3	37245074	+ Cleaning Flap
4	43465003	+ Swivel Elbow Comp.
5	43557001	+ Turbine Comp.
6	42246092	+ Base Plate Comp.
7	36235032	+ Furniture Guard
8	43152005	+ Tumbler Lever - Right
9	34152006	+ Tumbler Lever - Left
10	48414045	+ Agitator
11	38528029	Drive Belt
12	21447212	+ Screw (4)

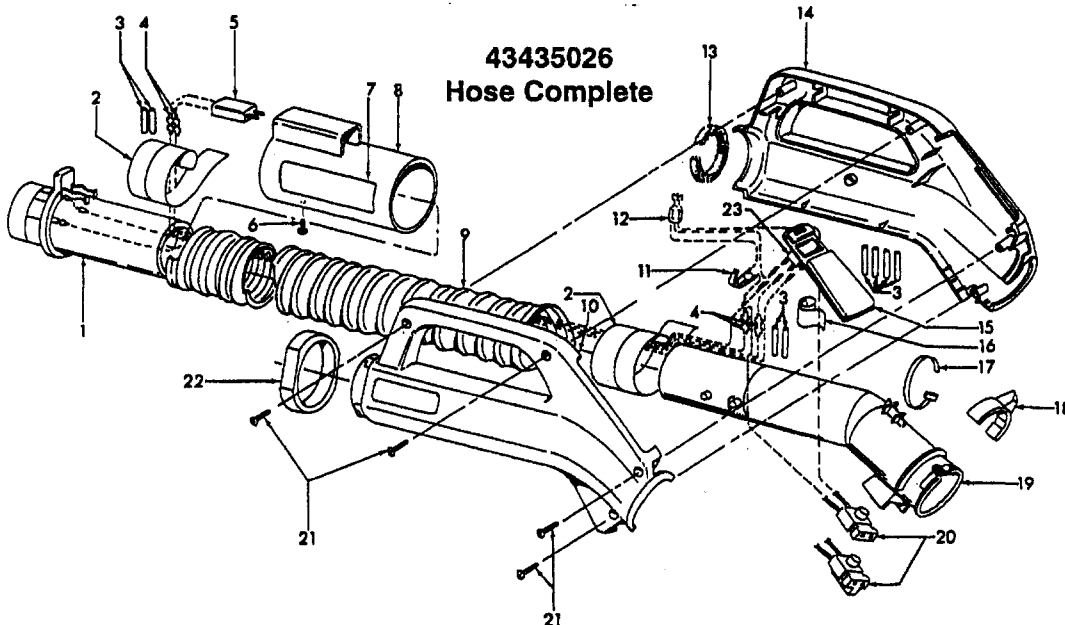




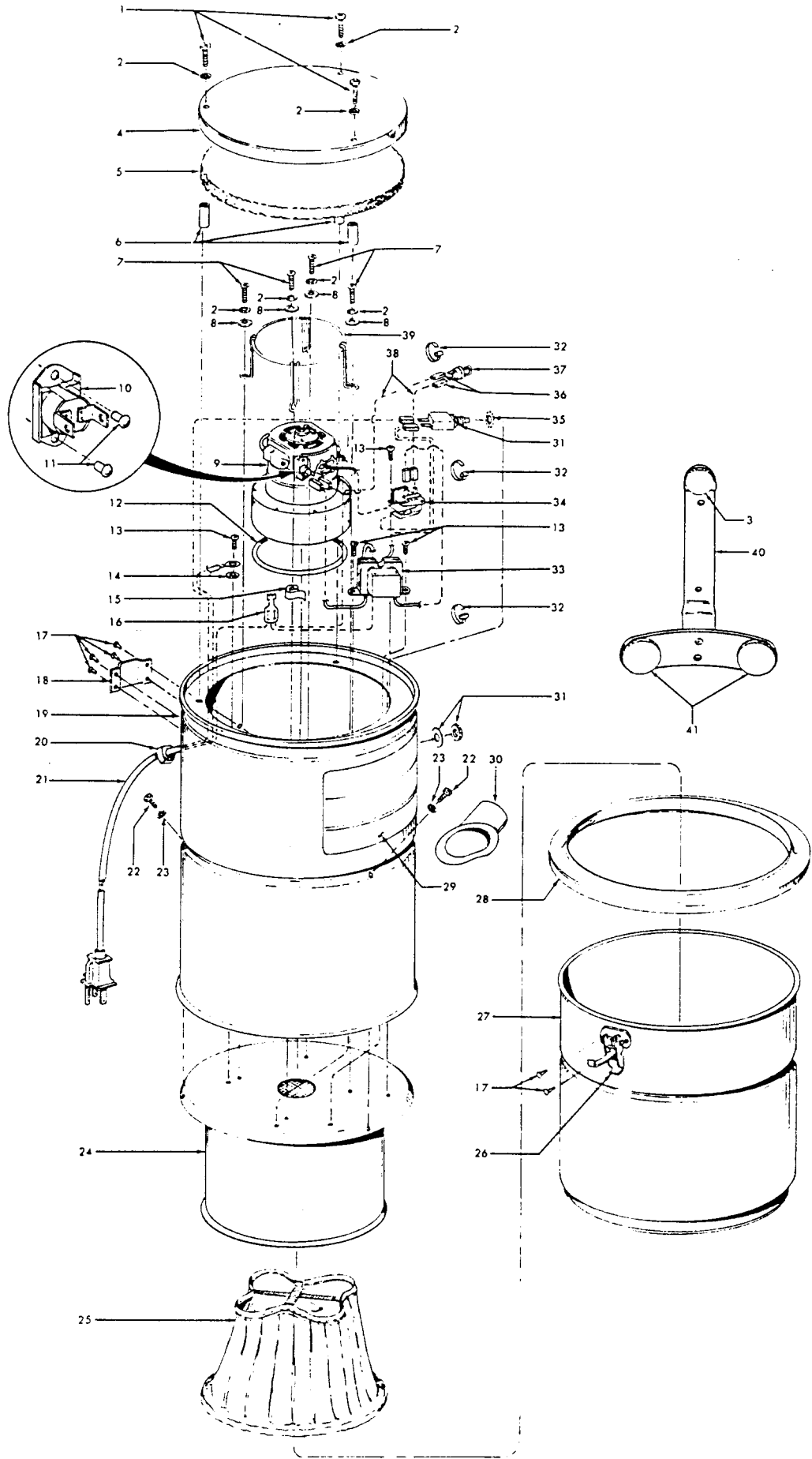
Ref. No.	Part No.	Description
1	38617017	Crevice Tool - AG
2	43414057	Furniture Nozzle - AG
3	43414064	Dusting Brush - AG
4	38644020	Swivel Connector - AG
5	43414073	Floor Brush - AG
6	48447001	+ Brush Back
7	43453023	Ext. Tube - AX - 20" W/S.C.
8	43453052	Ext. Tube - 20 - AX
9	58568001	+ Cleaning Tool Bag
10	36172008	Hose Rack
11	46368002	Cord Set - 10'

PACKAGING MATERIAL

58167024	+ Carton - Printed
----------	--------------------



Ref. No.	Part No.	Description	Ref. No.	Part No.	Description
1	43454003	+ Hose Connector Assm.	13	34113008	* Seal
2	----	Cotton Tape	14	39461008	Grip - LH - MV
3	31712006	* Insulating Sleeve (8)	15	47551020	+ Grip Control Panel Assm. - AG
4	27613002	Splice (4)	16		Vinyl Tape
5	46321017	Plug	17	27479307	* Lead Wire Tie
6	21124105	* Drive Screw	18	36153029	Latch Ring - AG
7	51869037	Warning Label	19	38646034	Inner Tube - AG
8	38638054	Grip	20	46325029	+ Connector - Early Style
9	43431159	Hose - 4 Wire - Terminated		46325038	Connector - "T" Type - Late Style
10	39461007	Grip - RH - MV	21	21447124	+* Screw - Self Tapping (4)
11	47173003	Neon Lamp Assm.	22	36131087	Retaining Ring
12	12227	Insulated Terminal	23	28161051	Switch



Ref. No.	Part No.	Description
1	21811024	* Screw - Machine (3)
2	21356013	+* Lock Washer (7)
3	31112001	+ Pad
4	31312004	+ Exhaust Cover - JU
5	31113010	Muffler Gasket
6	31721042	Spacer - AY (3)
7	21811022	* Screw - Machine (4)
8	21312807	+* Plain Washer (4)
9	43578082	Motor Assembly
10	27858006	+ Thermal Overload Protector
11	1105535	* Pop Rivet (2)
12	25156508	"O" Ring
13	21438119	+* Pan Head Screw (4)
14	160929	Lock Washer
15		Tape Cloth - 3/4" wide
16	18972	Terminal - Insulated
17	15562	+* Rivet (8)
18	36321018	Mounting Bracket - AY
19	38761004	+ Main Body - JU
20	39049	Strain Relief Bushing
21	46543020	Attach. Cord & Plug Assm. - NM
22	21811022	* Screw - Machine (6)
23	21356013	+* Lock Washer (6)
24	36322023	Motor Mount Weldment
25	43611022	Filter Assm.
26	23715191	Latch - AX (2)

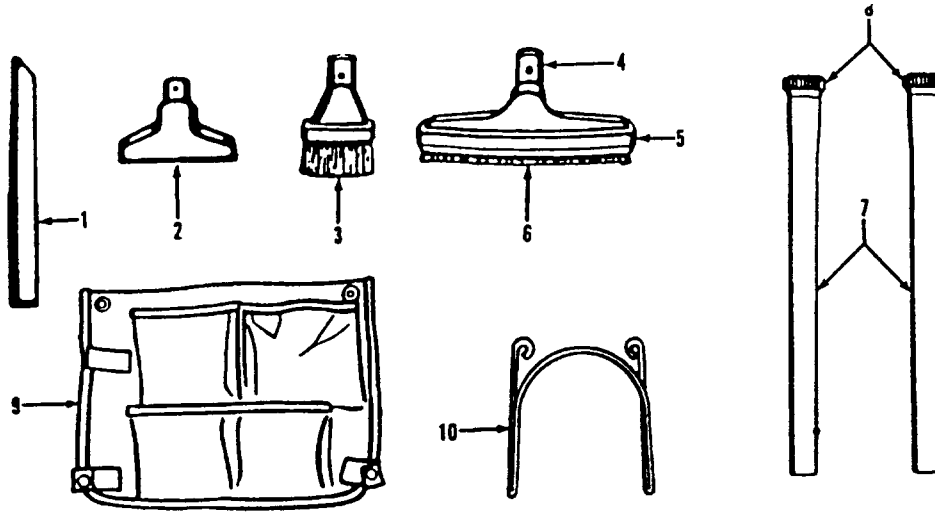
Ref. No.	Part No.	Description
27	43641002	Dust Receptacle - KS
28	38784036	Gasket - AG
29	52135037	Label
30	25435010	Intake Port - AG
31	27854005	Circuit Breaker
32	27479307	* Lead Wire Tie (3)
33	47821006	Transformer Assm.
34	28318003	Relay
35	21356014	+* Lock Washer
36	162130	+* Insulating Pod (8)
37	27724049	Low Voltage Plug
38	46175012	+ Lead Wire Assm. (2)
39	41312025	Motor Bracket Weldment
40	41947011	Wall Mount Assm. - JU
41	31113011	+ Pad (2)

ITEMS NOT ILLUSTRATED

167679 Carbon Brush

PACKAGING MATERIAL

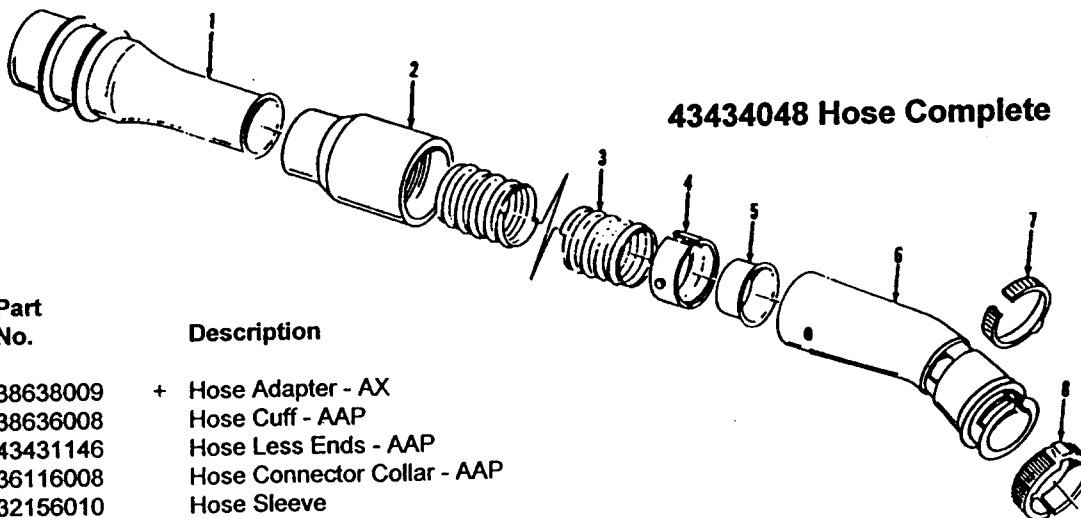
58168011 + Carton - Printed  
 58249007 + Carton Support  
 58369054 + Top/Bottom Support  
 56515014 Instruction Book



Ref. No.	Part No.	Description
1	38617017	Crevice Tool - AG
2	38614024	Furniture Nozzle - AG
3	43414064	Dusting Brush - AG
4	38644040	Swivel Connector - AAP
5	43414073	Floor Brush - AG
6	48447001	+ Brush Back
7	3863801P	Ext. Tube - Poly - AG
8	36153009	Latch Ring
9	58568001	+ Cleaning Tool Bag
10	36172008	Hose Rack

PACKAGING MATERIAL

-	58175026	+ Carton - Printed
---	----------	--------------------



43434048 Hose Complete

Ref. No.	Part No.	Description
1	38638009	+ Hose Adapter - AX
2	38636008	Hose Cuff - AAP
3	43431146	Hose Less Ends - AAP
4	36116008	Hose Connector Collar - AAP
5	32156010	Hose Sleeve
6	43466044	Hose Grip Assm. - AAP
7	38711006	Suction Control Ring - MV
8	36153009	Latch Ring