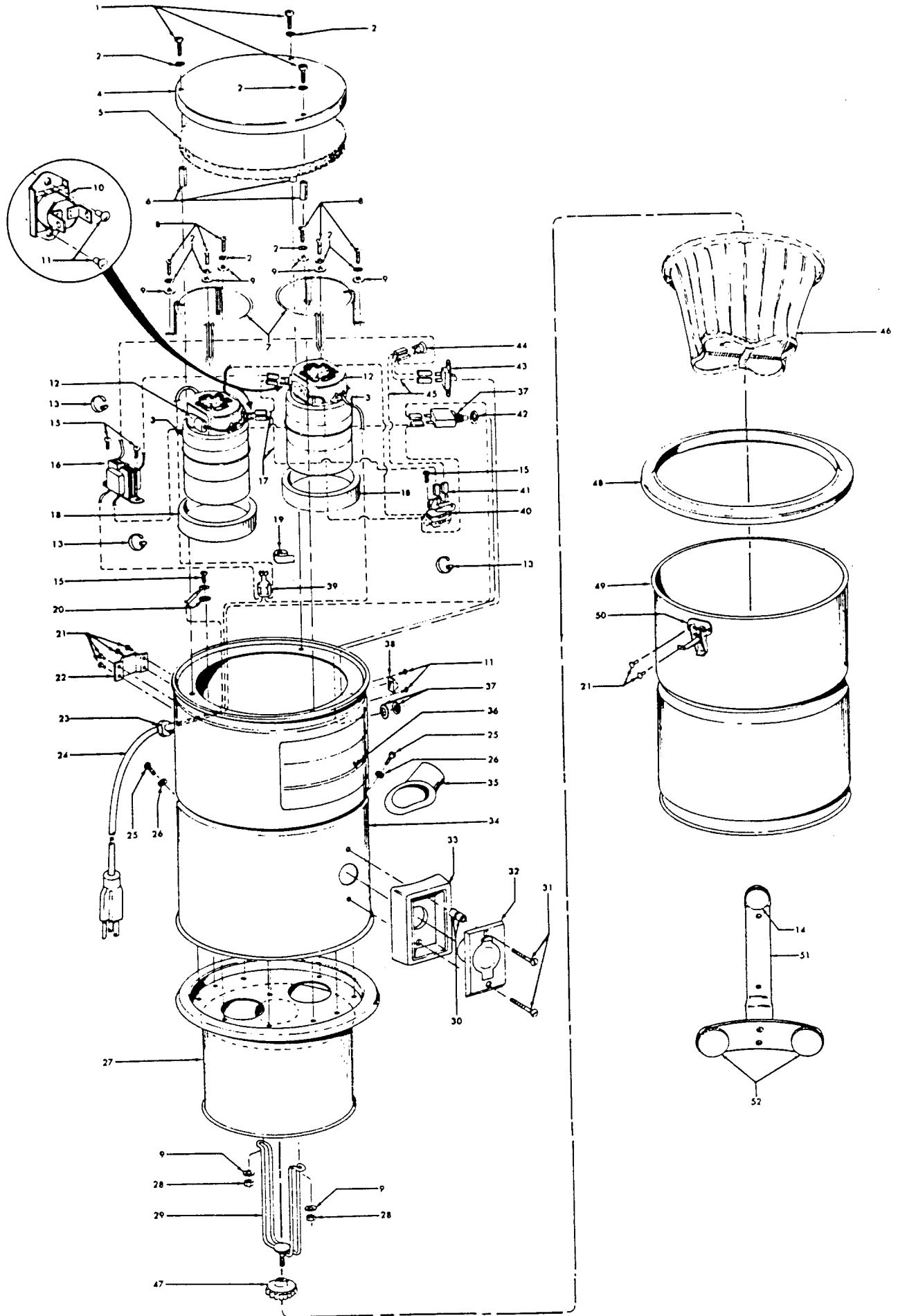


Ref. No.	Part No.	Description
1	46321088	Cord
2	36231106	Furniture Guard - MW
3	48416030	Agitator - 4B
4	163768	Strain Relief
5	21447041	* Screw
6	27479307	* Wire Tie
7	36131024	Retainer Housing - MT
8	43461021	Nozzle Connector - AG
9	34112005	* Seal
10	34337003	* Seal
11	47171009	+ Lamp Socket
12	48969	* Wire Nut
13	42256098	Duct Cover
14	34123017	* Seal
15	35276001	* Detent Spring
16	32175025	Wheel - AG
17	31523005	Wheel Shaft
18	32761001	Wheel
19	31522004	Wheel Shaft
20	21447007	* Screw
21	42246121	Base Plate (Incl. It. 16, 17, 18, 19, 22)
22	34337004	* Lower Seal
	34378010	* Upper Seal
23	51865004	Indicator Nameplate
24	36218005	Grommet
25	27317307	Dirt Finder Lamp
26	43177073	Motor
27	51865004	Indicator Lens
28	27666702	* Terminal
29	37258082	Shield
30	281770KD	Switch
31	51151053	Indicator - PH
32	34361001	Switch Actuator
33	42262032	Housing
34	36131017	* Retainer
35	38353007	Torsion Spring
36	31523006	Pivot Pin
37	38458002	* Depressor
38	38433067	+ Switch Pedal - MW
39	38528011	Belt
40	42252189	Nozzle Body
41	52125092	Nameplate
42	39383060	Lens
43	43457037	Swivel Tube - AG

Agitator 48416030

1	48495AY	Thread Guard
2	43267002	Bearing
3	21347003	* Washer
4	36422001	End
5	48445017	Agitator Brush
6	41435018	Thread Guard
7	38537008	End Pulley
8	48418001	Brush Ring
9	31722019	Spacer
10	32724005	Shaft

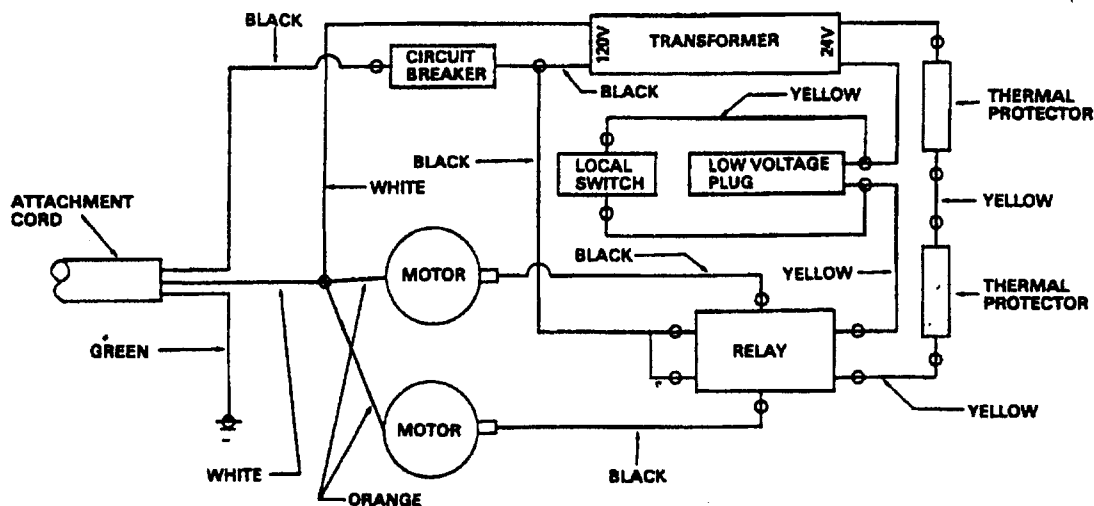


Ref. No.	Part No.	Description	Ref. No.	Part No.	Description
1	21811024	Screw - Machine (3)	33	35143001	+ Bezel - Utility Outlet - AG
2	21356013	+* Lock Washer (9)	34	38761006	+ Main Body - Stainless
3	36322012	Motor Mount (2)	35	25435010	Intake Port - AG
4	31312004	+ Exhaust Cover - Stainless	36	52135038	Label
5	31113010	Muffler Gasket	37	27854005	Circuit Breaker
6	31721042	Spacer (3)	38	38421012	Switch Button - AG
7	41312028	+ Motor Bracket Weldment (2)	39	18972	Terminal - Insulated
8	21811023	Screw - Machine (6)	40	28318004	Relay
9	21312807	+* Plain Washer (8)	41	162130	+* Insulating Pod (12)
10	27858006	+ Thermal Overload Protector (2)	42	21356014	+* Lock Washer
11	1105535	Pop Rivet (6)	43	281770KD	Switch - Slide
12	43578043	Motor Assm. - 900 Watt (2)	44	27724049	Low Voltage Plug
13	27479307	* Lead Wire Tie (3)	45	46315053	+ Lead Wire Assm.
14	31112001	+ Pad	46	43611022	Filter Assembly - Cloth
15	21438119	+* Pan Head Screw (4)	47	43611023	Filter Assembly - Cartridge
16	47821005	Transformer Assm.	48	23718206	Filter Knob
17	46125016	+ Lead Wire Assm. (2)	49	38784036	Gasket - AG
18	31328002	+ Motor Mount (Fan End) (2)	50	43641003	Dust Receptacle - Stainless
19	---	Tape Cloth 3/4" wide	51	23715191	Latch - AX (2)
20	160929	+ Lock Washer	52	41947011	Wall Mount Assm. - JU
21	15562	+* Rivet (8)			+ Pad (2)
22	36321018	Mounting Bracket - AY			
23	27482134	Strain Relief			
24	46543020	Attach. Cord Assm. - AG			
25	21811023	* Screw - Machine (6)			
26	21356013	+* Lock Washer (6)			
27	36322020	Motor Mount Weldment			
28	1107602	Hex Nut (2)			
29	41427017	+ Filter Bracket - AY			
30	31142014	+* Roller (4)			
31	21774005	Flat Head Screw (2)			
32	43457027	Utility Outlet			

ITEMS NOT ILLUSTRATED

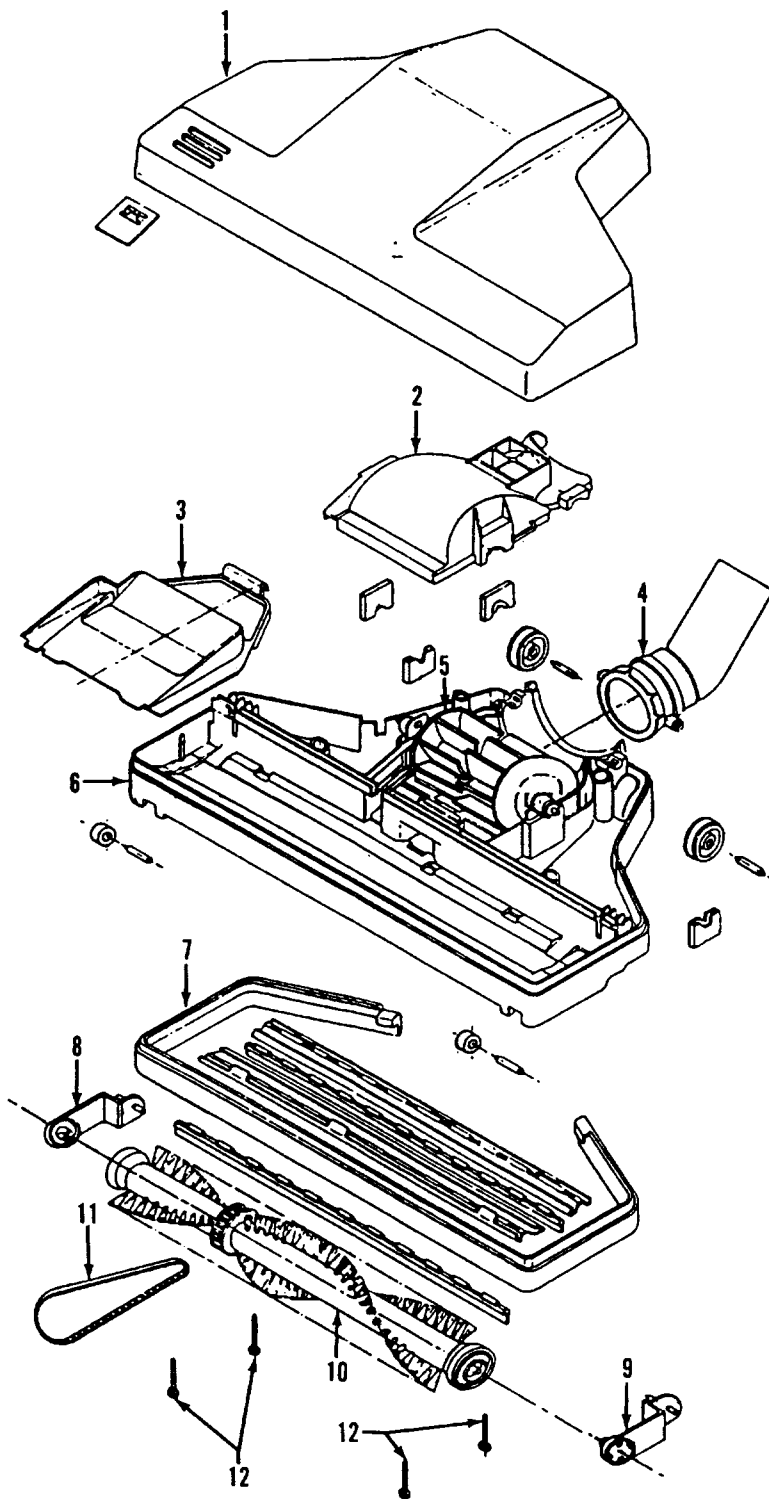
167679	Carbon Brush
PACKAGING MATERIAL	
58168012	+ Carton - Printed
58249007	+ Carton Support
58369054	+ Top/Bottom support
56515014	Instruction Book

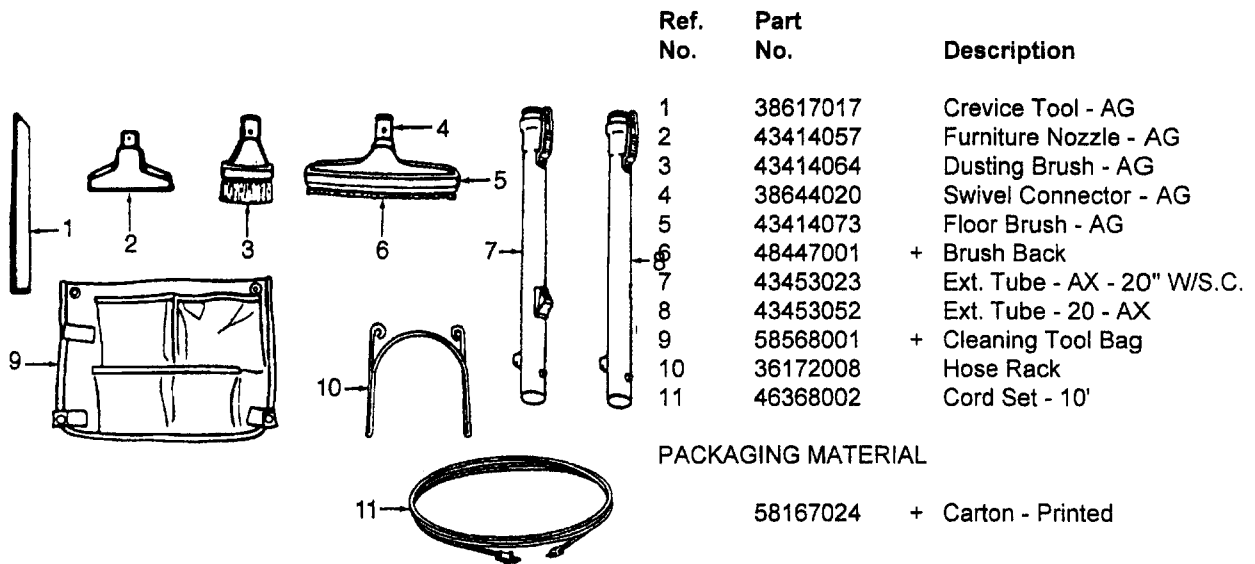
WIRING DIAGRAM



43414110 + Turbine Brush

Ref. No.	Part No.	Description
1	37252070	+ Cover Comp.
2	37914012	+ Turbine Housing
3	37245074	+ Cleaning Flap
4	43465003	+ Swivel Elbow Comp.
5	43557001	+ Turbine Comp.
6	42246092	+ Base Plate Comp.
7	36235032	+ Furniture Guard
8	43152005	+ Tumbler Lever - Right
9	34152006	+ Tumbler Lever - Left
10	48414045	+ Agitator
11	38528029	Drive Belt
12	21447212	+ Screw (4)

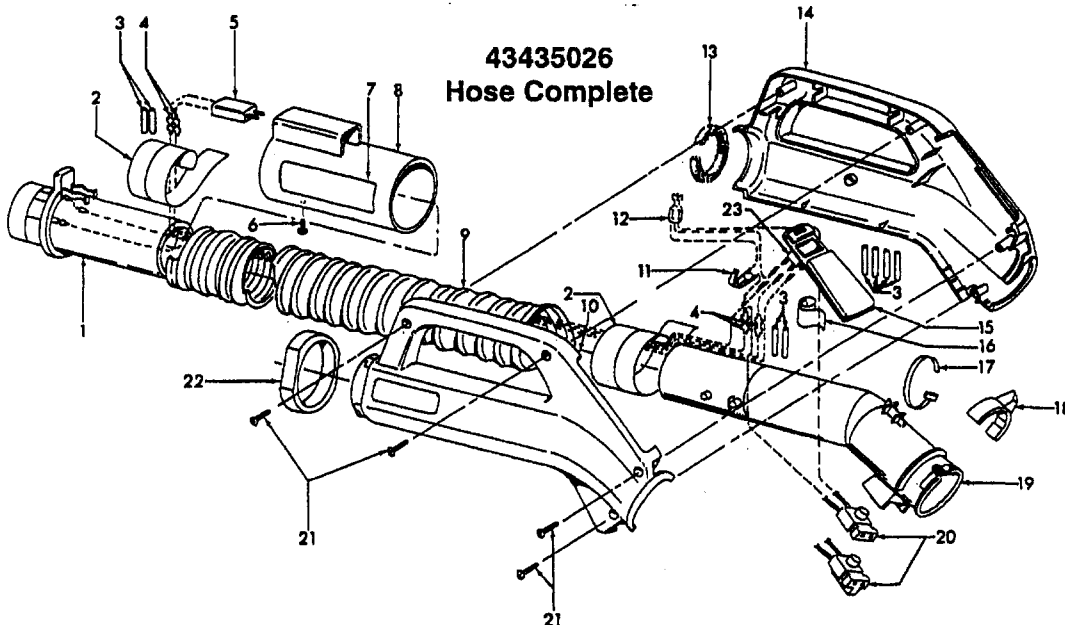




Ref. No.	Part No.	Description
1	38617017	Crevice Tool - AG
2	43414057	Furniture Nozzle - AG
3	43414064	Dusting Brush - AG
4	38644020	Swivel Connector - AG
5	43414073	Floor Brush - AG
6	48447001	+ Brush Back
7	43453023	Ext. Tube - AX - 20" W/S.C.
8	43453052	Ext. Tube - 20 - AX
9	58568001	+ Cleaning Tool Bag
10	36172008	Hose Rack
11	46368002	Cord Set - 10'

PACKAGING MATERIAL

58167024	+ Carton - Printed
----------	--------------------



Ref. No.	Part No.	Description	Ref. No.	Part No.	Description
1	43454003	+ Hose Connector Assm.	13	34113008	* Seal
2	----	Cotton Tape	14	39461008	Grip - LH - MV
3	31712006	* Insulating Sleeve (8)	15	47551020	+ Grip Control Panel Assm. - AG
4	27613002	Splice (4)	16		Vinyl Tape
5	46321017	Plug	17	27479307	* Lead Wire Tie
6	21124105	* Drive Screw	18	36153029	Latch Ring - AG
7	51869037	Warning Label	19	38646034	Inner Tube - AG
8	38638054	Grip	20	46325029	+ Connector - Early Style
9	43431159	Hose - 4 Wire - Terminated		46325038	Connector - "T" Type - Late Style
10	39461007	Grip - RH - MV	21	21447124	+* Screw - Self Tapping (4)
11	47173003	Neon Lamp Assm.	22	36131087	Retaining Ring
12	12227	Insulated Terminal	23	28161051	Switch