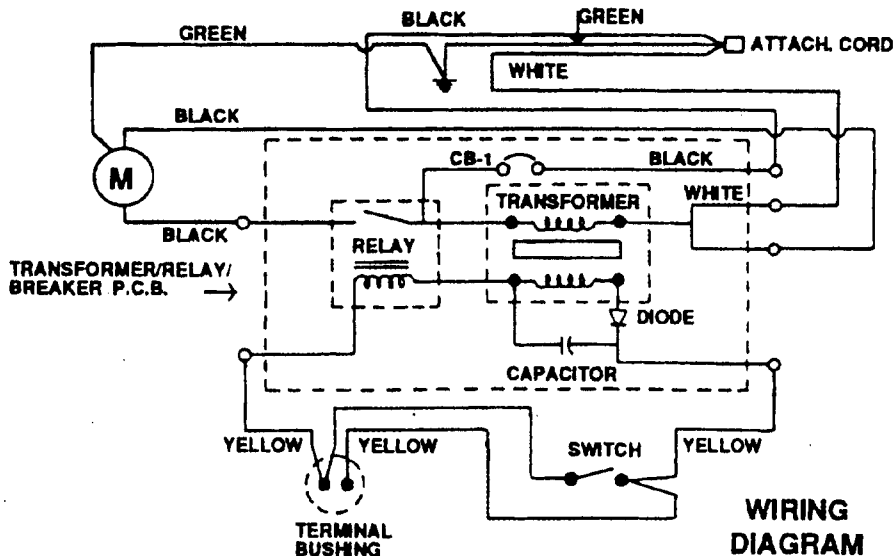


| Ref. No. | Part No. | Description |
|----------|----------|--|
| 1 | 41129036 | Clamp Ring Assm. (2) |
| 2 | 41947011 | Wall Mount Bracket |
| 3 | 12647EF | Rivet (8) |
| 4 | 34712003 | Bracket |
| 5 | 39049 | Strain Relief |
| 6 | 31113011 | + Pad (2) |
| 7 | 23762511 | Low Voltage Cap |
| 8 | 46543025 | Cord |
| 9 | 27724050 | + Terminal Bushing |
| 10 | 38783013 | Grommet |
| 11 | 28162014 | Switch Assm. |
| 12 | 27479307 | * Wire Tie |
| 13 | 27135008 | Trans/Relay/Breaker PCB |
| 14 | 23718206 | Filter Retaining Knob |
| 15 | 43611036 | Filter Enclosure Assm. |
| 16 | 38784046 | Can Gasket |
| 17 | 23715191 | Can Latch (2) |
| 18 | 43641011 | Dust Container Assm. |
| 19 | 21774007 | + Screw (2) |
| 20 | 35143001 | + Bezel - AG |
| 21 | 25435010 | Intake Port |
| 22 | 38763006 | Filter |
| 23 | 37191018 | Deflector |
| 24 | 38783011 | + Deflector Gasket |
| 25 | 42192072 | Motor Enclosure Assm. |
| 26 | 38763017 | Baffle |
| 27 | 42228005 | Top Cover Assm. |
| 28 | 21427255 | + Self Tapping Screw (2) |
| 29 | 27292002 | Carbon Brush (2) (Fit Lamb Motors Only) |

| Ref. No. | Part No. | Description |
|----------|----------|----------------------------|
| 30 | 21372203 | + Speed Nut (3) |
| 31 | 31745011 | Exhaust Tube |
| 32 | 43577014 | Motor Assm. |
| 33 | 38763005 | Motor Screen |
| 34 | 38784050 | Gasket |
| 35 | 41427035 | + Motor Filter Mount Assm. |
| 36 | 52141008 | + Nameplate |
| 37 | 43526001 | Inlet Valve |
| 38 | 21583005 | + Screw |
| 39 | 14856 | + Lockwasher |
| 40 | 15854EF | Hex Nut (2) |
| 41 | 21416010 | +* Screw |
| 42 | 31733006 | Spacer |
| 43 | 37351 | + Expansion Nut |
| 44 | 31324001 | Spacer |
| 45 | 34227012 | + PCB. Barrier |
| 46 | 162133-- | + Terminal Tag (2) |
| 47 | 46155016 | + Lead Wire Green |
| 48 | 36695 | + Screw |
| 49 | 21447216 | + Screw |
| 50 | 21852107 | Lock Nut |
| 51 | 162130 | + Insulating Pod (3) |

PACKAGING MATERIAL

| | |
|----------|------------------|
| 58168016 | Carton |
| 56513299 | + Owners Manual |
| 58254006 | + Carton Liner |
| 58254008 | + Bottom Support |
| 58254005 | + Carton Insert |



WIRING DIAGRAM