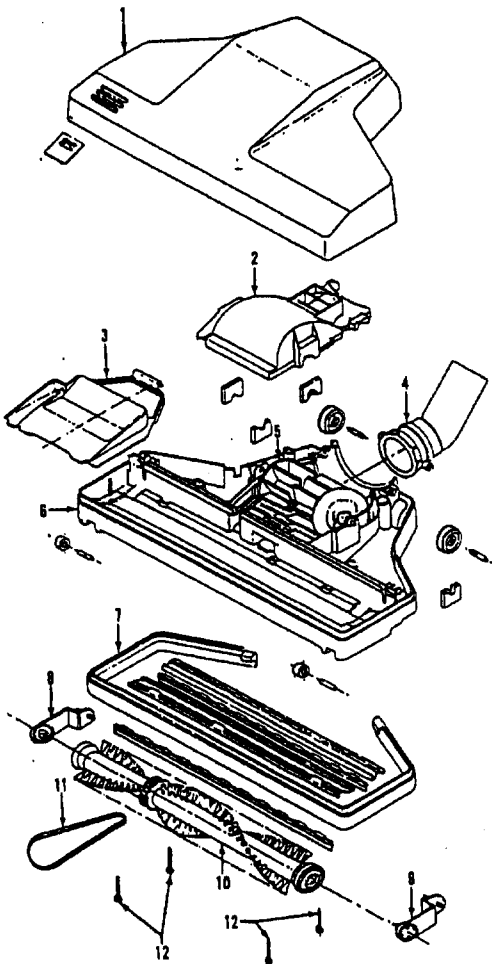


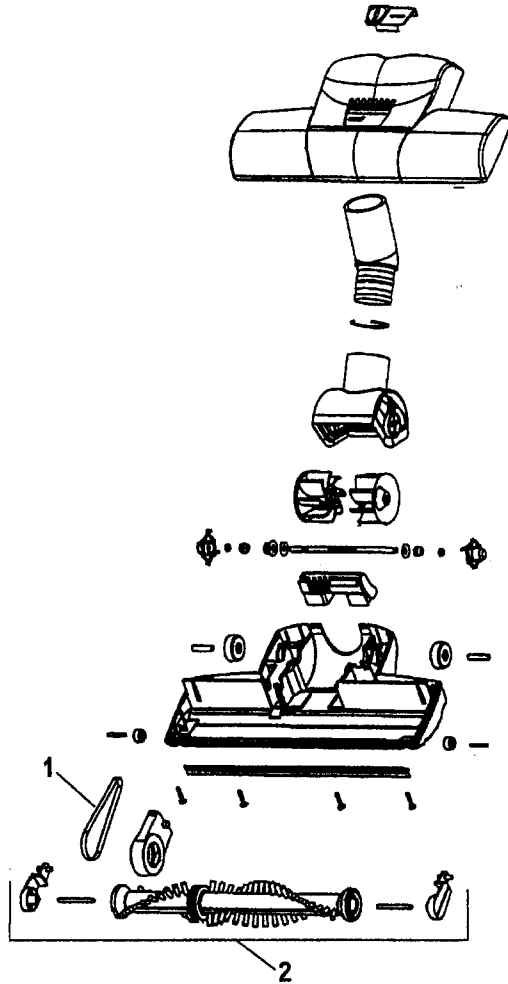
Turbine Brush - 43414138 - S5577

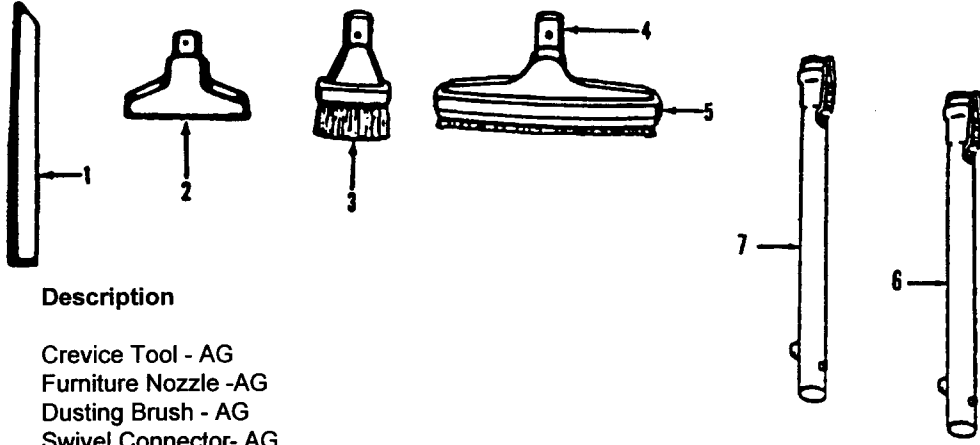
Ref. No.	Part No.	Description
1	37252083	+ Cover Complete
2	37914012	+ Turbine Housing
3	37245074	+ Cleaning Flap
4	43465003	+ Swivel Elbow Complete
5	N/A	Turbine Complete
6	N/A	Base Plate Complete
7	36235032	+ Furniture Guard
8	43152005	+ Tumbler Lever - Right
9	43152006	+ Tumbler Lever - Left
10	48414045	+ Agitator
11	38528029	Drive Belt
12	21447212	+*Screw (4)



Turbine Brush - 43414143 - S5668, S5678

Ref. No.	Part No.	Description
1	59139301	Belt
2	59139302	Agitator Assembly





Ref. No.	Part No.	Description
1	38617024	Crevice Tool - AG
2	38614029	Furniture Nozzle -AG
3	43414145	Dusting Brush - AG
4	38644020	Swivel Connector- AG
5	43414073	Floor Brush - AG
6	43453038	Ext. Tube Assem. - Str. - 17" - S5577
	43453046	Ext. Tube Assem. - Str. - 17" Friction Fit - S5668
7	43453052	Ext. Tube Assem. - Str. - 20"
	43453100	Ext. Tube Assem. - Str. - 20" - Friction Fit - S5668

Items Not Illustrated
33188001

Wire Frame - Formed

NOTE:
Model S8151 includes Powered Nozzle,
43453038 and 43453052 Ext. Tubes only.

Packaging Material

- 58175055 + Carton - S5577
- n/a Carton - S5668
- 59814094 Carton - S8151
- 56519052 + Instruction Book
- 56515027 Instruction Book - S8151

43491003 Hose Complete

