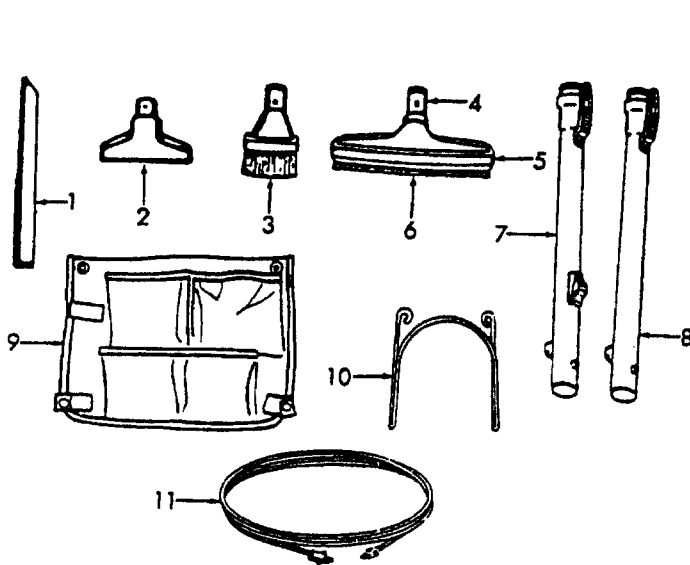


Ref. No.	Part No.	Description
	48438239	Power Nozzle Complete
1	37241138	Nozzle Body - AAP
2	12227	Insulated Terminal
3	27479307	* Lead Wire Tie
4	21447003	* Screw-Self Tapping (10)
5	34123039	* Duct Cover Seal
6	34253018	+ Rear Seal
7	42256103	Dust Cover Assem. (Incl. Items 5,6)
8	46321088	Cord
9	35276008	Detent Spring
10	163768	Strain Relief
11	43482106	Nozzle Connector - AG
12	34112007	* Seal
13	34122014	* Seal (2)
14	43244043	Wheel Assem.
15	42246115	Base Plate Assem. (incl. Items 16,17)
16	32761001	Wheel
17	31522004	Wheel Shaft
18	21479801	* Screw (3)
19	48414079	Agitator Assem.
20	38528011	Belt
21	36923008	Belt Guard
22	13261AY	* Rib Shoe
23	43177062	Motor Assem. Comp.

PACKAGING MATERIAL
58341008 + Carton

Agitator 48414079

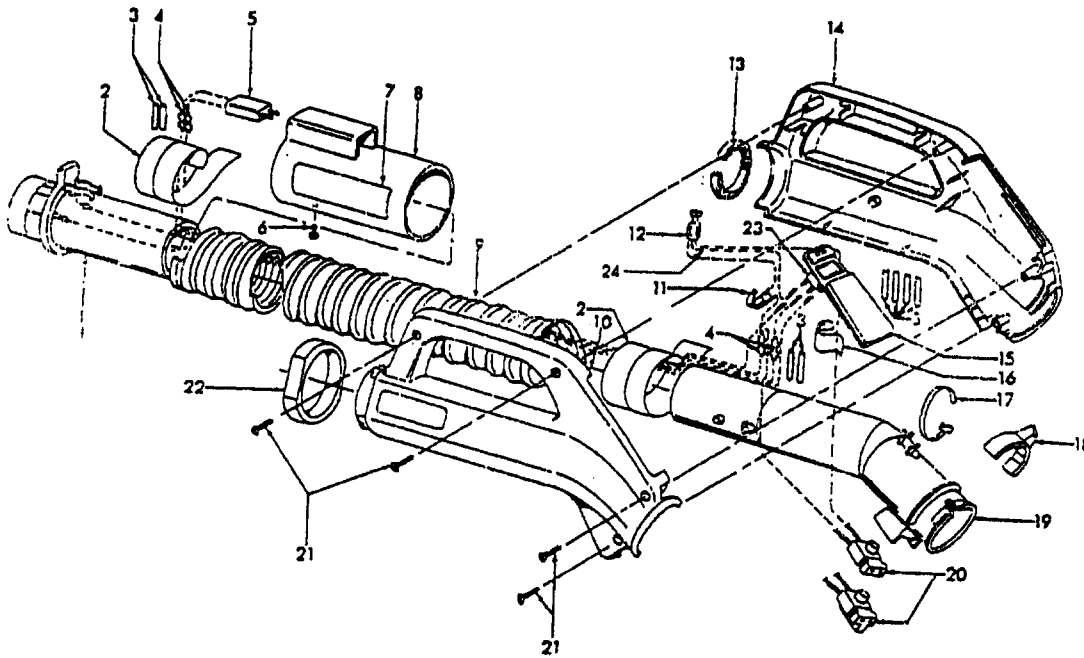
Ref. No.	Part No.	Description
1	36423016	Thread Guard - RH
2	43267002	Agitator Bearing Assem. (2)
3	21347003	* Conical Washer (2)
4	36422022	Agitator End (2)
5	48414051	Agitator Body
6	32724013	+ Agitator Shaft
7	36423017	Thread Guard - LH



Ref. No.	Part No.	Description
1	38617017	Crevice Tool - AG
2	38614024	Furniture Nozzle - AG
3	43414064	Dusting Brush - AG
4	38644020	Swivel Connector - AG
5	43414073	Floor Brush - AG
6	48447001	+ Brush Back
7	43453023	Ext. Tube - AX - 20" w/S.C.
8	43453052	Ext. Tube - 20" - AX
9	58568001	+ Cleaning Tool Bag
10	36172008	Hose Rack
11	46368002	Cord Set - 10'

PACKAGING MATERIAL

58167026	+ Carton
56515025	Instruction Book



Ref. No.	Part No.	Description
1	43454003	+ Hose Connector Assm.
2	---	Cotton Tape
3	31712006	* Insulating Sleeve (8)
4	27613002	Splice (4)
5	46321017	Plug
6	21124105	* Drive Screw
7	51869037	Warning Label
8	38638054	Grip
9	43431159	Hose - 4 Wire - Terminated
10	39461007	Grip - RH - MV
11	47173003	Neon Lamp Assm.
12	12227	Insulated Terminal
13	34113008	* Seal

Ref. No.	Part No.	Description
14	39461008	Grip - LH - MV
15	47551020	+ Grip Control Panel Assm. - AG
16	---	Vinyl Tape
17	27479307	* Lead Wire Tie
18	36153029	Latch Ring - AG
19	38646034	Inner Tube - AG
20	46325029	+ Connector - Early Style
	46325038	Connector - "T" Type - Late Style
21	21447124	+* Screw Self - Tapping (4)
22	36131087	Retaining Ring
23	28161051	Switch
24	46133095	Lead Wire Black