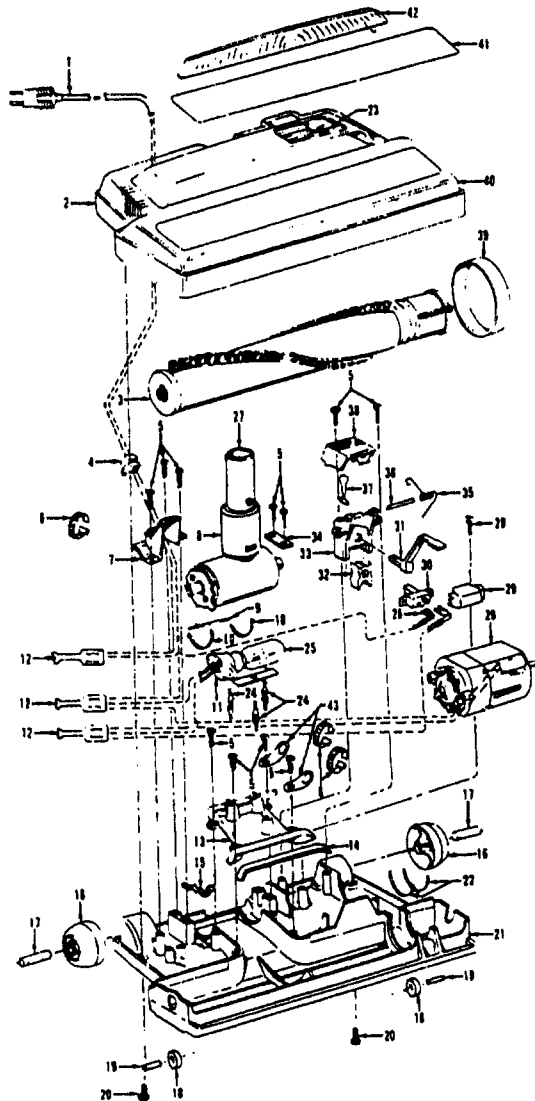
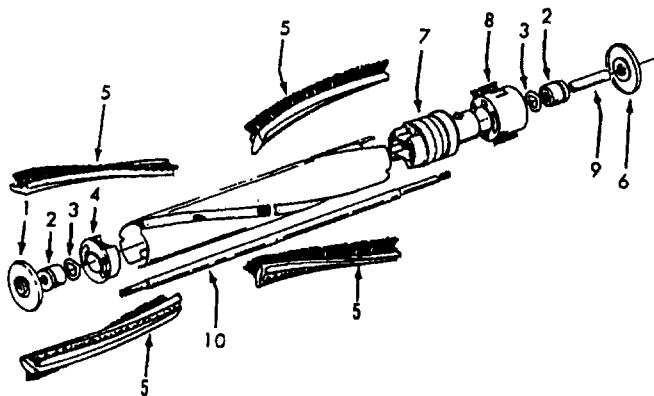


Power Nozzle 48438227

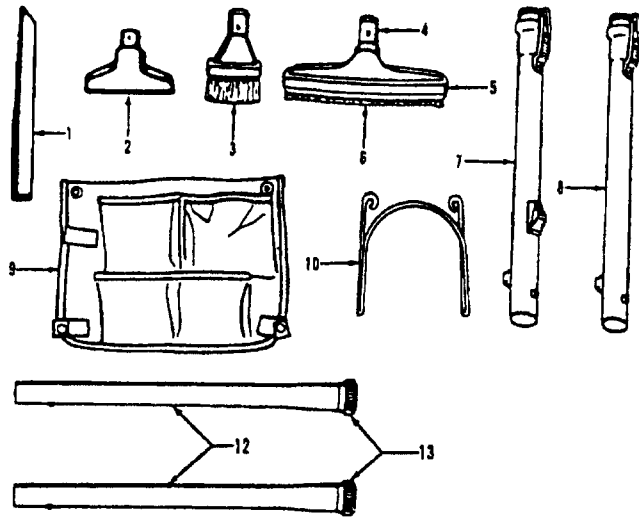


Ref. No.	Part No.	Description
1	46321088	Cord - AG - Standard Plug
2	36231096	Furniture Guard - MY
3	48416030	Agitator - 4B
4	163768	Strain Relief
5	21447041	* Screw
6	27479307	* Wire Tie
7	36131067	Retainer Housing - AG
8	43461021	Nozzle Connector - AG
9	34112005	* Seal
10	34337003	* Seal
11	47171009	+ Lamp Socket
12	48969	* Wire Nut
13	42256098	Duct Cover
14	34123017	* Seal
15	35276001	* Detent Spring
16	32175025	Wheel - AG
17	31523005	Wheel Shaft
18	32761001	Wheel
19	31522004	Wheel Shaft
20	21447007	* Screw
21	42246121	Base Plate (Inc. items 16,17, 18, 19, 22)
22	34337004	* Lower Seal
	34378010	* Upper Seal
23	51865018	Indicator Nameplate
24	36218016	Grommet
25	27317307	Dirt Finder Lamp
26	43177073	Motor
27	43457037	Swivel Tube - AG
28	27666702	* Terminal
29	37258082	Shield
30	281770KD	Switch
31	51151053	Indicator - PH
32	34361001	Switch Actuator
33	42262032	Housing
34	36131017	* Retainer
35	38353007	Torsion Spring
36	31523006	Pivot Pin
37	38458002	* Depressor
38	38433067	+ Switch Pedal - MW
39	38528011	Belt
40	42252189	Nozzle Body - AG
41	52125114	Nameplate
42	39383060	Lens
43	45517	* Lead Wire Holder



Agitator 48416030

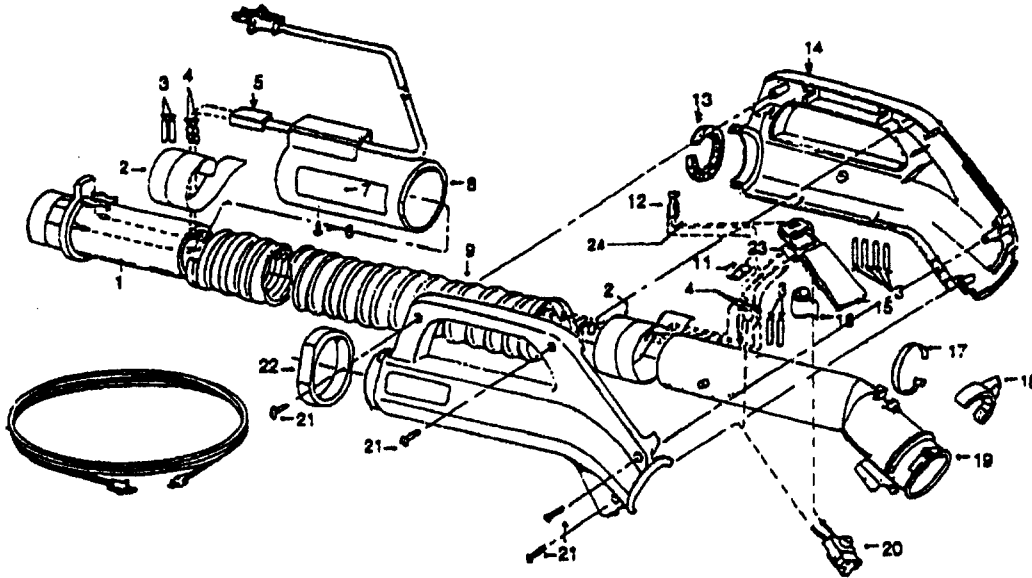
1	48495AY	Thread Guard
2	43267002	Bearing
3	21347003	* Washer
4	36422001	End
5	48445017	Agitator Brush
6	41435018	Thread Guard
7	38537008	End Pulley
8	48418001	Brush Ring
9	31722019	Spacer
10	32724005	Shaft



Ref. No.	Part No.	Description
1	38617017	Crevice Tool - AG
2	43414057	Furniture Nozzle - AG
3	43414064	Dusting Brush - AG
4	38644020	Swivel Connector - AG
5	43414073	Floor Brush - AG
6	48447001	Brush Back
7	43453023	Ext. Tube - AX - 20" W/S.C.
8	43453052	Ext. Tube - 20 - AX
9	58568002	+ Cleaning Tool Bag
10	36172008	Hose Rack
11	46343086	Cord Set - 7'
12	3863801P	Ext. Tube - Poly - AG
13	36153009	Latch Ring - MV

PACKAGING MATERIAL

58167026	Carton
56515022	+ Instruction Book



46368002 Cord Set 10'
Cord set used with early style hoses.

Ref. No.	Part No.	Description	Ref. No.	Part No.	Description
1	43454003	+ Hose Connector Assm.	14	39461008	Grip - LH - MV - "T"- Plug
2		Cotton Tape		48663161	Grip Assm. - RH/LH - Std. Plug
3	31712006	* Insulating Sleeve (8)	15	47551020	+ Grip Control Panel Assm. - AG
4	27613002	Splice (4)	16		Vinyl Tape
5	46321017	Plug	17	27479307	Lead Wire Tie
6	21124105	* Drive Screw	18	36153029	Latch Ring - AG
7	51869037	Warning Label	19	38646034	Inner Tube - AG
8	38638054	Grip	20	46325029	+ Connector - Early Style
9	43431159	Hose - 4 Wire - Terminated		46325038	Connector - "T" Type - Late Style
10	39461007	Grip - RH - MV - "T"- Plug	21	21447124	+* Screw - Self Tapping (4)
	48663161	Grip Assm. - RH/LH - Std. Plug	22	36131087	Retaining Ring
11	47173003	Neon Lamp Assm.	23	28161051	Switch
12	12227	Insulated Terminal	24	46133095	Lead Wire Black
13	34113008	Seal			