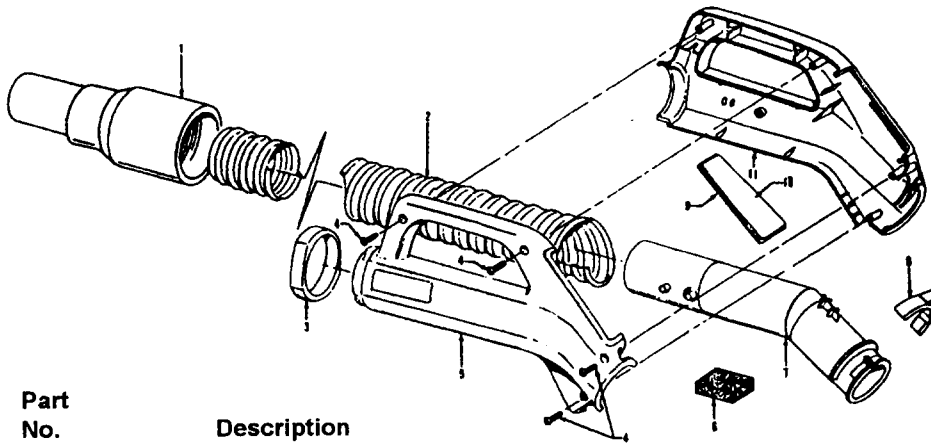


Ref. No.	Part No.	Description
1	38617017	Crevice Tool
2	38614024	Furniture Nozzle - AG
3	3863801P	Extension Tube - Poly - AG
4	36153009	Latch Ring
5	36172008	Hose Rack

PACKAGING MATERIAL

58175029	+	Carton
56519051	+	Instruction Book

43435027 HOSE COMPLETE



Ref. No.	Part No.	Description
1	43452006	Hose End Fitting & Collar - AAP
2	43431181	Hose Less Ends - AAP
3	36131087	Retainer Ring
4	21447124	+ Screw Self-Tapping (4)
5	48663161	Grip - R.H. - MV
6	34131004	Gasket
7	38646048	Inner Tube - AG
8	36153029	Latch Ring - AG
9	37959071	Control Panel - AG
10	51664018	+ Nameplate
11	48663161	Grip - L.H. - MV