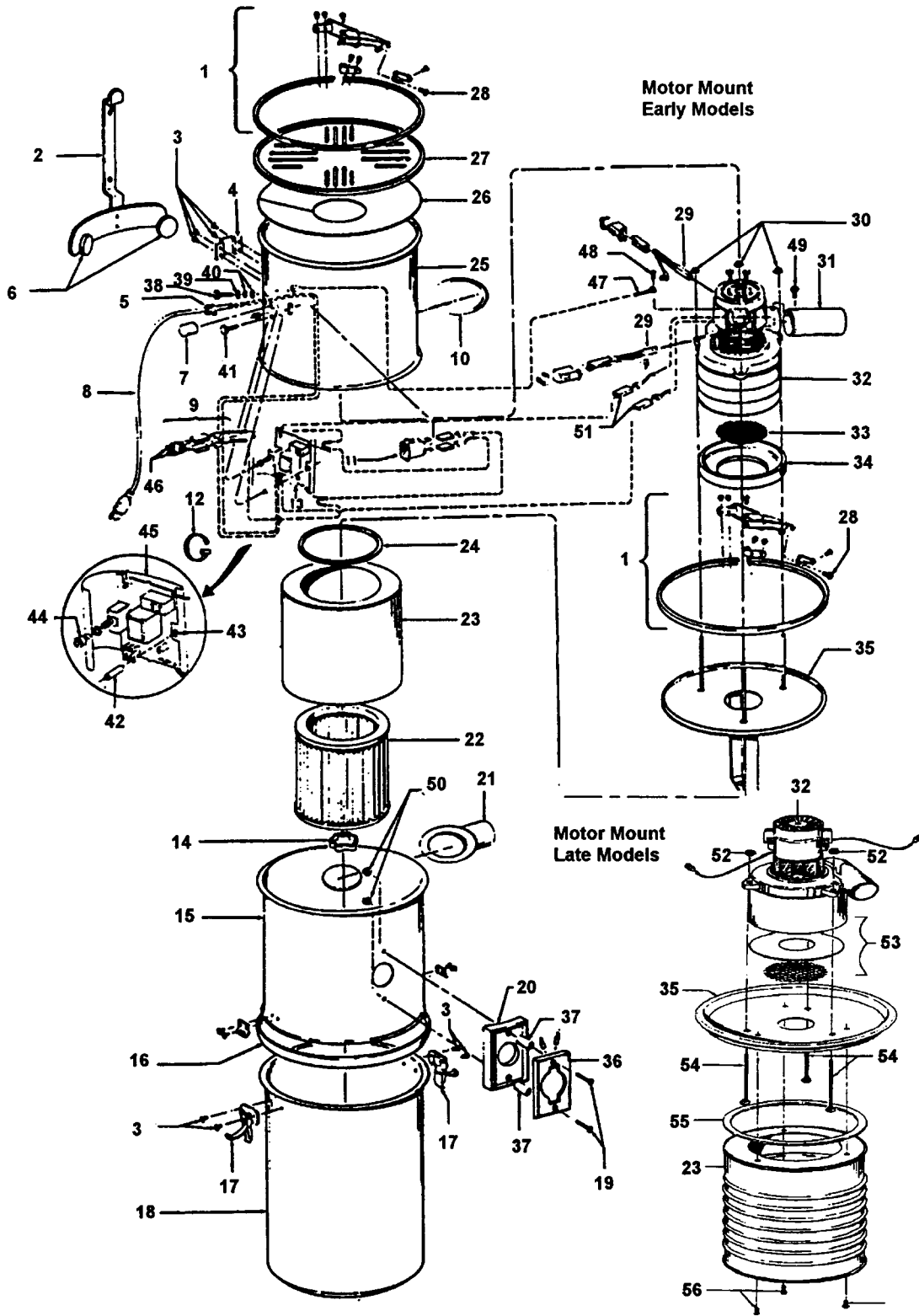


# C.V.S. Canister

# Models S5675, S5675-080



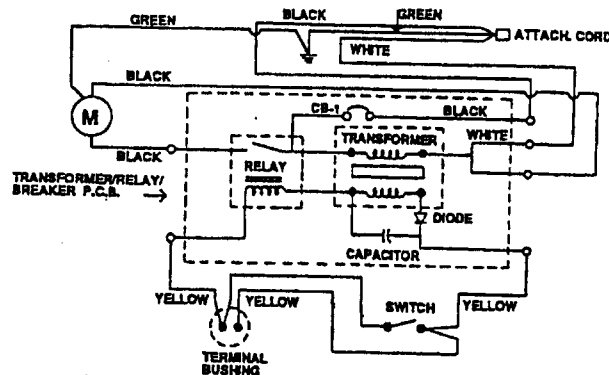
Ref. No.	Part No.	Description
1	41129050	Clamp Ring Assem. (2)
2	41947011	Wall Mount Bracket
3	12647EF	+ Rivet (8)
4	34712003	Bracket
5	39049	Strain Relief
6	31113011	+ Pad (2)
7	23762511	Low Voltage Cap
8	46543025	Cord
9	27724050	+ Terminal Bushing
10	38783013	Grommet
11	28162014	Switch Assem.
12	27479307	* Wire Tie
13	27135008	Trans/Relay/Breaker PCB
14	23718206	Filter Retaining Knob
15	42213380	Filter Enclosure Assem. - ABM
16	38784069	Can Gasket
17	23715191	Can Latch (2)
18	43641018	Dust Container Assem.(w/Latches) - ABM
19	21774007	+* Screw (2)
20	35143001	+ Bezel - AAP
21	25435010	Intake Port
22	38763006	Filter
23	38761018	+ Deflector
24	38784066	Deflector Gasket
25	42192005	Motor Enclosure Assem. - ABM
26	38763019	+ Air Baffle
27	42228008	Top Cover Assem. - ABM
28	21427255	+* Self Tapping Screw (2)
29	27292002	Carbon Brush (2)
30	21372203	+ Speed Nut (3)
31	31744024	Exhaust Port
32	43577014	Motor Assem.
33	38763005	Motor Screen

Ref. No.	Part No.	Description
34	38784050	Gasket
35	41427027	+ Motor Filter Mount Assem.
36	43526014	Inlet Valve - AG
37	31742008	Spacer (2)
38	N/A	* Screw
39	N/A	* Lock washer
40	15854EF	* Hex Nut (2)
41	21479439	+* Screw
42	31733006	Spacer
43	37351	+* Expansion Nut
44	31324001	Spacer
45	34227012	+ PCB. Barrier
46	162133	+* Terminal (2)
47	46155016	+ Lead Wire Green
48	36695	+ Screw
49	21447216	+* Screw
50	21852107	Lock Nut
51	162130	+* Insulating Pod (3)
52	21854103	* Nut
53	43543005	Motor Mtg. Kit
54	21831029	+ Carriage Bolt (3)
55	38784066	Seal
56	21447216	+* Screw

PACKAGING MATERIAL

58158012	+ Carton
56513334	Owners Manual
58262008	+ Bottom Support
58262007	+ Corner Support

\* Model S5675-080 is a C.V.S. system pack that contains model S5675, 3 valve installation kit (40300062), and a power nozzle accessory kit 49118001 (Pages 303 & 304).



WIRING DIAGRAM