

**C.V.S. Canister (11 inch dia.)**  
**C.V.S. Canister (14 inch dia.)**

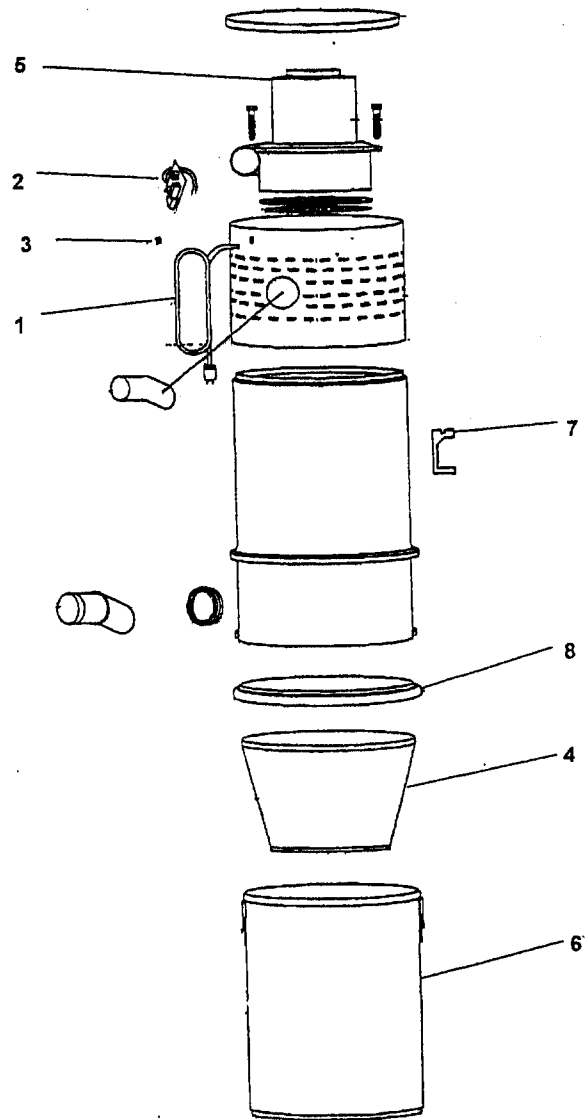
**Models S5610, S5620, S5620-080\***  
**S5630, S5640**

Ref. No.	Part No.	Description
1	59132011	Attachment Cord - AG
2	59132006	Control Module
3	59132005	Rocker Switch
4	59132001	11 Inch Filter - S5610, S5620
	59132002	14 Inch Filter - S5630, S5640
5	59132007	Motor Assembly (2 Stage) - S5610
	59132009	Motor Brush - S5610
	59132008	Motor Assembly (3 Stage) - S5620, S5630
	59132010	Motor Brush - S5620, S5630
	59132025	Motor Assembly (3 Stage) - S5640
6	59132020	Dust Container - 11 Inch - S5610, S5620
	59132021	Dust Container - 14 Inch - S5630, S5640
7	59132022	Wall Bracket
8	59132023	Gasket - 11 Inch - S5610, S5620
	59132024	Gasket - 14 Inch - S5630, S5640

**Packaging Material**

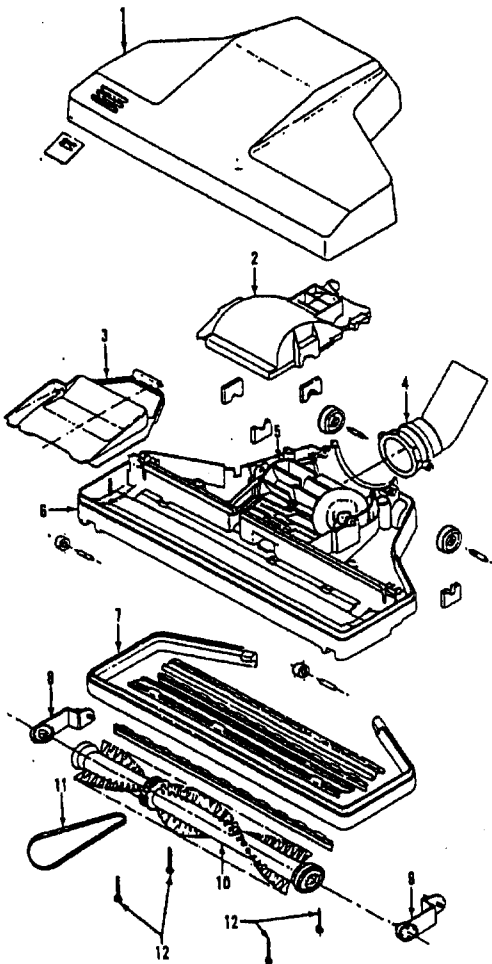
56513360	Owner Manual
59132003	Carton - S5610, S5620
59132004	Carton - S5630, S5640

\* S5620-080 is a combo package that contains a S5620 power unit, S5541 installation kit, S5682 accessory kit.



**Turbine Brush - 43414138 - S5577**

Ref. No.	Part No.	Description
1	37252083	+ Cover Complete
2	37914012	+ Turbine Housing
3	37245074	+ Cleaning Flap
4	43465003	+ Swivel Elbow Complete
5	N/A	Turbine Complete
6	N/A	Base Plate Complete
7	36235032	+ Furniture Guard
8	43152005	+ Tumbler Lever - Right
9	43152006	+ Tumbler Lever - Left
10	48414045	+ Agitator
11	38528029	Drive Belt
12	21447212	+*Screw (4)



**Turbine Brush - 43414143 - S5668, S5678**

Ref. No.	Part No.	Description
1	59139301	Belt
2	59139302	Agitator Assembly

