

Ref. No.	Part No.	Description
	48438249	Powered Nozzle Complete
1	46321009	Cord - AG
2	36231096	Furniture Guard - MY
3	48416030	Agitator - 4B
4	163768	Strain Relief
5	21447041	* Screw
6	27479307	* Wire Tie
7	36131067	Retainer Housing - AG
8	43461021	Nozzle Connector - AG
9	34112005	* Seal
10	34337003	* Seal
11	47171009	+ Lamp Socket
12	18972	Insulated Terminal
13	42256098	Duct Cover
14	34123017	* Seal
15	35276001	* Detent Spring
16	32175025	Wheel - AG
17	31523005	Wheel Shaft
18	32761001	Wheel
19	31522004	Wheel Shaft
20	21447007	* Screw
21	42246121	Base Plate Assem. (Incl. 16,17,18,19, 22)
22	34337004	* Lower Seal
	34378010	* Upper Seal
23	51865018	Indicator Nameplate
24	36218016	Grommet
25	27317307	Dirt Finder Lamp
26	43177073	Motor
27	43457037	Swivel Tube - AG
28	27666702	* Terminal
29	37258082	Shield
30	281770 KD	Switch
31	51151053	Indicator - PH
32	34361001	Switch Actuator
33	42262032	Housing
34	36131017	* Retainer
35	38353007	Torsion Spring
36	31523006	Pivot Pin
37	38458002	* Depressor
38	38433067	+ Switch Pedal - MW
39	38528011	Belt
40	42252189	Nozzle Body
41	52125130	Nameplate
42	39383060	Lens
43	45517	* Lead Wire Holder

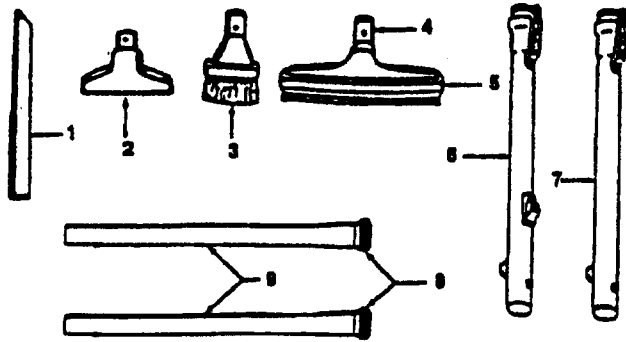
Items Not Illustrated

13261AY	* Rug Nozzle Rib Shoe
27618508	Wire Connector

Agitator 48416030

Ref. No.	Part No.	Description
1	48495AY	Thread Guard - R.H.
2	43267002	Agitator Bearing Assem. (2)
3	21347003	* Conical Washer
4	36422001	Agitator End (2)
5	48445017	Agitator Brush
6	41435018	Thread Guard
7	38537008	End Pulley
8	48418001	Brush Ring
9	31722019	Spacer
10	32724005	Shaft

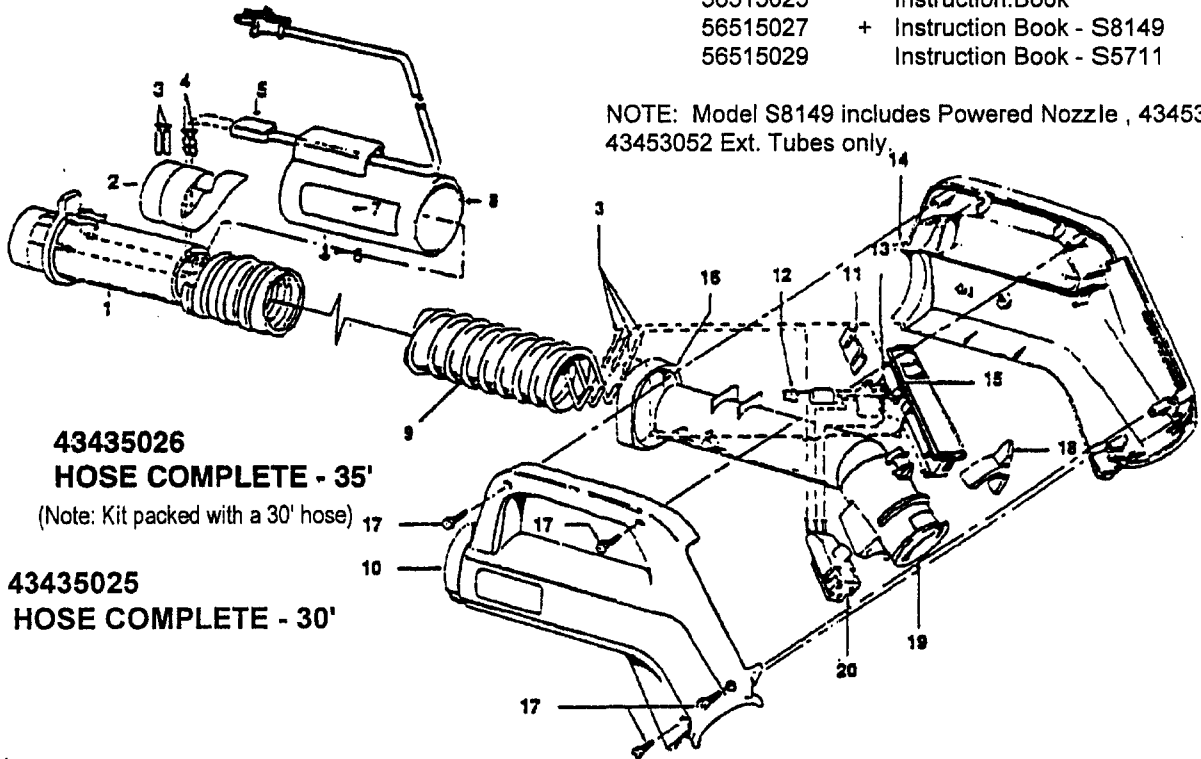
Ref. No.	Part No.	Description
1	38617017	Crevice Tool - AG
2	43414057	Furniture Nozzle -AG
3	43414064	Dusting Brush - AG
4	38644020	Swivel Connector - AG
5	43414073	Floor Brush - AG
6	43453023	Ext. Tube - AX - 20 W/S.C.
7	43453052	Ext. Tube - AX - 20
8	36153009	Latch Ring -AG
9	3863801P	Ext. Tube



Items Not Illustrated
42219066 Tool Rack Assem.

Packaging Material
58175055 + Carton
59814094 Carton - S8149
56515025 Instruction.Book
56515027 + Instruction Book - S8149
56515029 Instruction Book - S5711

NOTE: Model S8149 includes Powered Nozzle , 43453023 and 43453052 Ext. Tubes only.



43435026
HOSE COMPLETE - 35'
(Note: Kit packed with a 30' hose)

43435025
HOSE COMPLETE - 30'

Ref. No.	Part No.	Description
1	43454003	+ Hose Connector Assm.
2		Cotton Tape
3	31712006	* Insulating Sleeve (8)
4	27613002	Splice(4)
5	46343029	+ Cord Assm. - Polarized
6	21124105	* Drive Screw
7	51869031	Warning Label
8	38638054	Grip-MV
9	43431218	Hose - 4 Wire - Terminated - 35 Ft.
10	39461010	Grip - RH
11	36913030	Insulator
12	12227	Insulated Terminal

Ref. No.	Part No.	Description
13	28267001	Switch
14	39461009	Grip - LH
15	47551022	Grip Control Panel Assm.-AG
16	36131087	Retaining Ring
17	21447124	+ Screw - Self Tapping (4)
18	36153029	Latch Ring-AG
19	38646034	Inner Tube - AG
20	46526004	Connector

S5703, S8149, 49811001 Powernozzle - P.304
S5711 Powernozzle - P. 314