

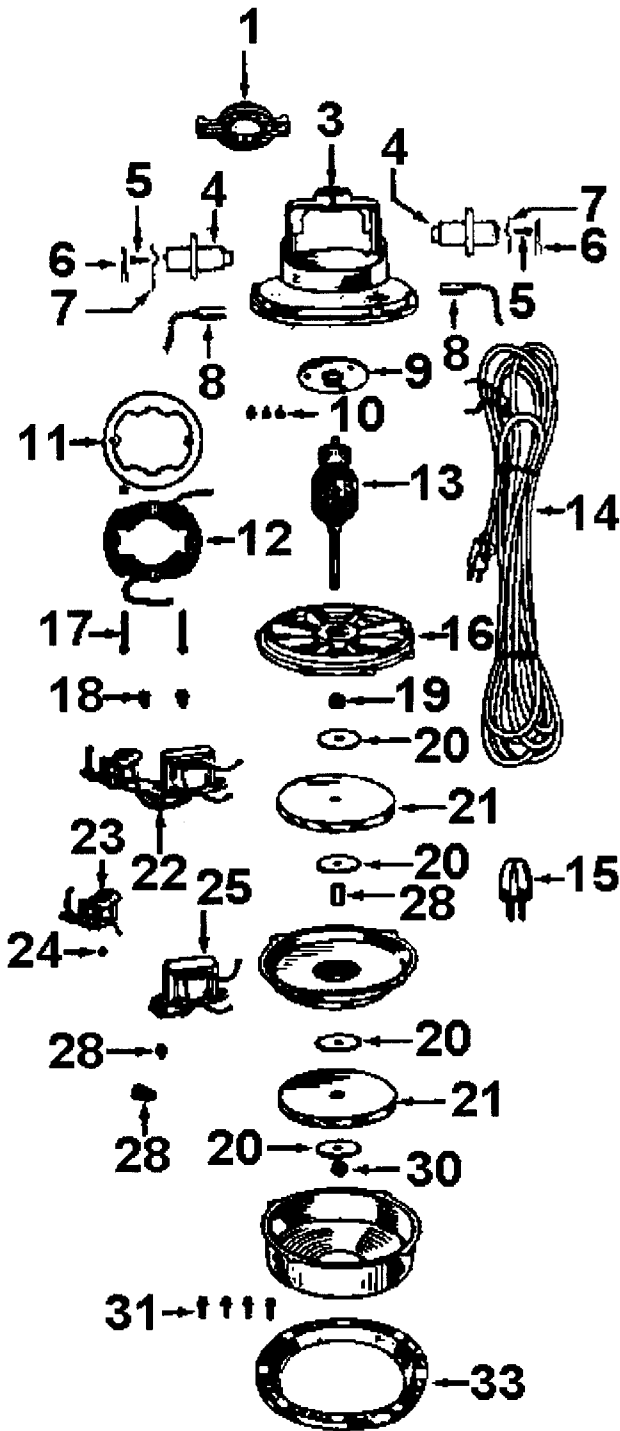
# Shell

# Models 82, 84, 84B, 85, 86, 87, 88, 434 444, 454, 843, 845, 858

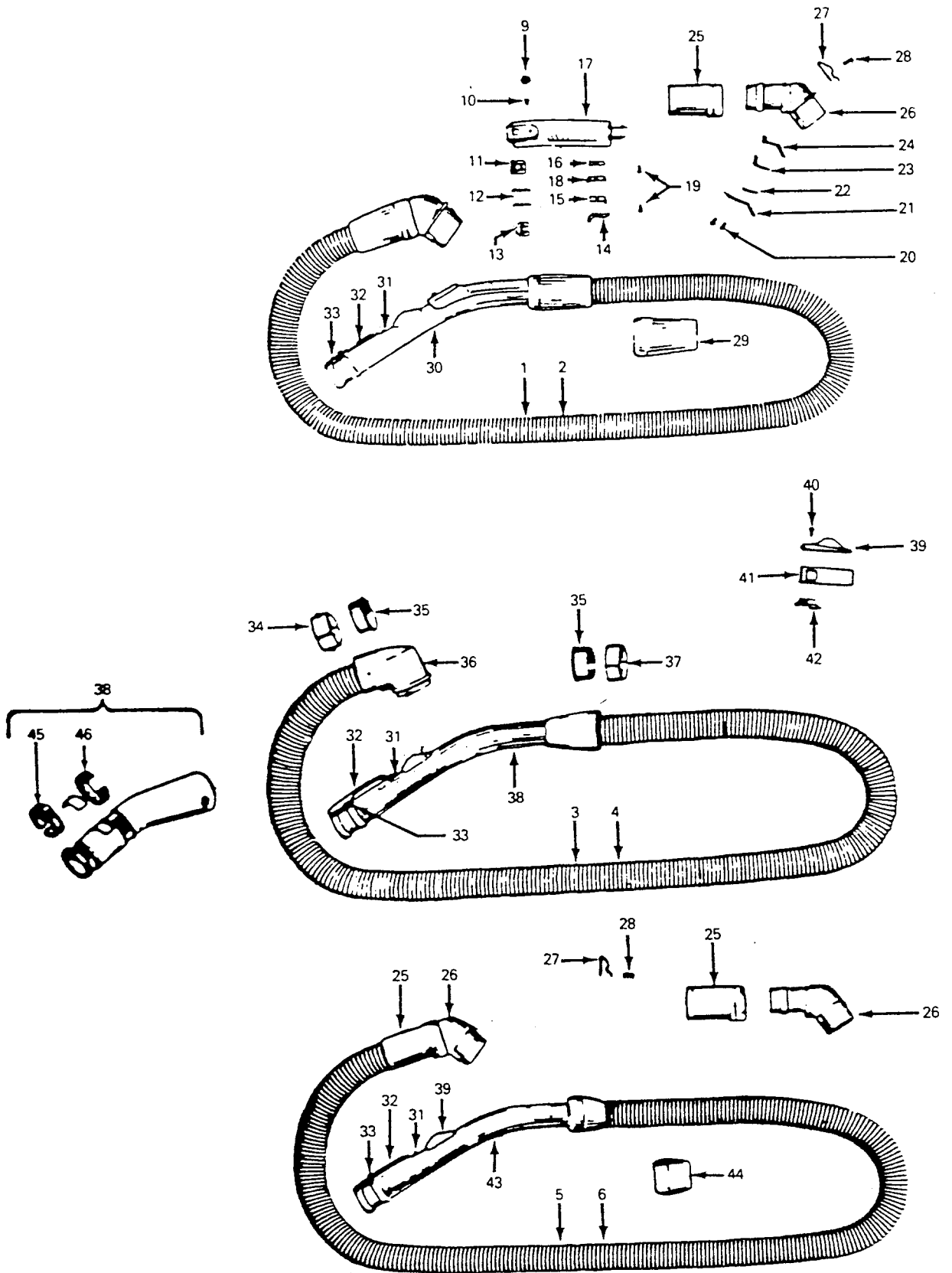
Ref. No.	Part No.	Description	Ref. No.	Part No.	Description
1	23155JM	+ Handle 86, 87, 88, 434, 843, 845, 858	27	22967	+ Gasket - 82, 84, 85
	13981A	+ Handle - 82, 84, 84B, 85	28	48725	Secondary Filter Retainer
2	12738	+* Screw - 86, 87, 88, 434, 843, 850	29	34656	Secondary Filter
	47728	+* Handle Pin - 82, 84, 84B, 85	30	23058	+ Base - 82, 84, 85
3	47938	* Hinge Pin	31	162341	+* Rivet
4	34739A	+ Body Hinge Leaf - Upper	32	18154	+* Nut - 82, 84, 85
	48123AV	+* Lock Ring	33	19772	* Washer - 82, 84, 85
6	162345	+* Rivet	34	21772501	* Screw - 82, 84, 85
7	34842	+ Handle Bracket - 82, 84, 84B, 85	35	19251	+* Rivet
8	12330	Bag Sealing Collar	36	35532	+ Tool Holder Supt. Latch - 88, 434
9	23208A	+ Upper Shell - 86, 88, 434, 444	37	19574	+ Patent Plate - 843
	23208CD	+ Upper Shell - 843, 845		164021	+ Data Plate - 858
	23208KK	+ Upper Shell - 858	38	162345	+* Rivet
	23331S	+ Upper Shell - 87	39	34620	+ Shell Cover Latch Bracket
10	48608	+ Cord Retainer & Nut	40	18385	+* Rivet
11	48654	+ Screw for Switch Plate - 87	41	16439JX	+ Latch
12	23209	+ Nameplate - 86	42	48512FW	+ Spring
	23197	+ Nameplate - 87	43	34655	+ Motor Mount Retainer
13	47778A	Shell Cover Latch Hook	44	12226	+ Strain Relief Bushing
14	16576	+ Nameplate - 843, 850	46	4010010J	Throw Away Bag (4 - Pk.)
15	12783	+* Rivet	46	12626	+* Switch Nut - Round
16	34672	+ Medallion - 82, 84, 84B	47	12560	* Switch Nut - Hex
17	22997JM	+ Furniture Guard	48	16444A	+ Shell Body & Base - 86, 87, 88, 434, 454
18	11782DM	+ Cover Plate		19567DM	+ Shell Body & Base - 843
19	46875	* Screw		164060DM	+ Shell Body & Base - 858
20	23426	+ Cleaning Tool Holder Bracket	49	34740A	+ Body Hinge Leaf - Lower - 86, 87, 88, 434, 454
21	49434	+* Screw		34740LL	+ Body Hinge Leaf - Lower - 843, 858
22	11940A	+ Tool Holder - 88, 434	50	13312	Switch Clip
	11940LL	+ Tool Holder - 843	51	13313	Switch Clip
	23003A	+ Tool Holder - 82, 84, 85	52	12971	Switch
23	47826	+ Latch Hook - 82, 84, 85	53	12876	Switch for Round Hole
24	162339	+* Grommet - 82, 84, 85			
25	34861	+ Base Latch - 82, 84, 85			
26	162341	+* Rivet			

# Motor

# Models 82, 84, 84B, 85, 86, 87, 88, 434 444, 454, 843, 845, 858



Ref. No.	Part No.	Description
	11185	+ Motor Comp. - 110V - Except 87
	48503	+ Motor Comp. - 220V - Except 87
1	34622	+ Rubber Mount
2	35335	+ Air Baffle - 87
3	10695	+ Motor Casing
4	18218AG	+ Motor Brush Holder
	48983	+ Motor Brush Holder - 87
5	46875	* Screw
6	18220	+* Cotter Pin
7	18219	+* Retainer
8	46100	Motor Brush
9	15856	+ Upper Bearing
10	44551	+* Screw
11	34737	+ Baffle
12	22938	+ Field Coil (110V)
13	22956	Armature (110V)
14	46363195	Cord
15	35380	Service Plug
16	34524	+ Bottom Bearing
17	15801	+* Screw
18	160356	* Terminals
19	163059	+* Fan Spacer
20	21312701	* Fan Spacer Washer
21	34511	+ Fan
22	23173	+ Transformer & Relay - 87
23	49115	+ Relay - 87
24	18154	+* Nut
25	48709	+ Transformer - 87
26	31732003	Fan Spacer - Long
27	34509	+ Deflector
28	48963	+* Screw - 87
29	48969	* Solderless Connector
30	18757	+* Nut
31	46877	+* Screw
32	22742AY	+ Fan Housing
33	22116	+ Rubber Mount



## Hose Assembly

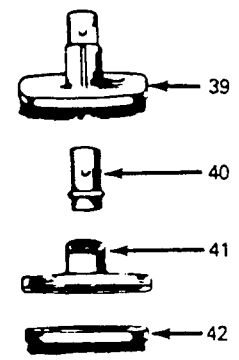
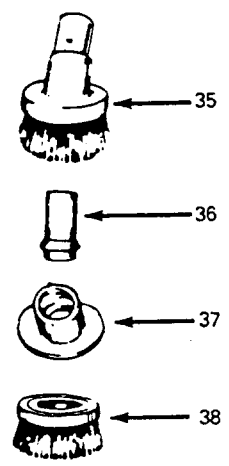
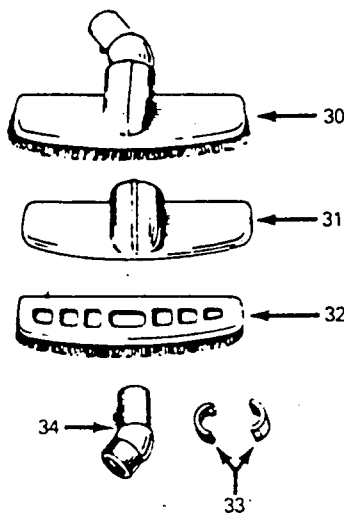
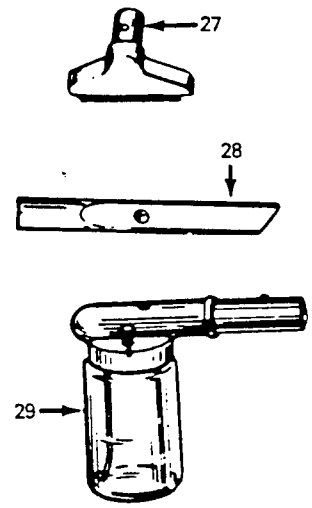
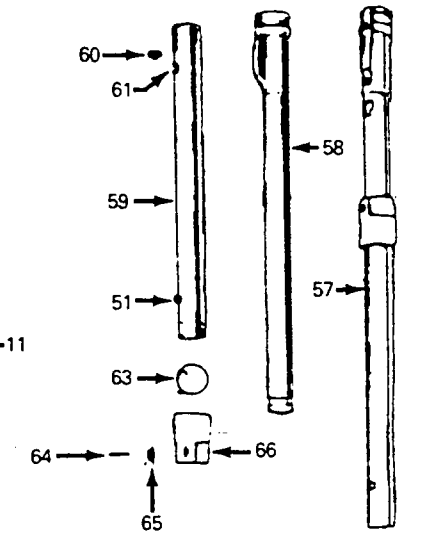
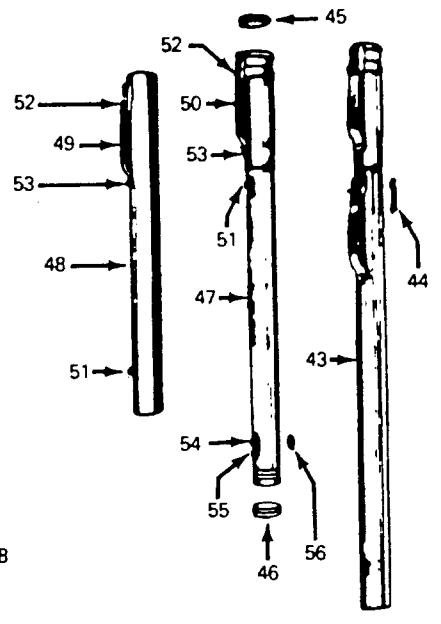
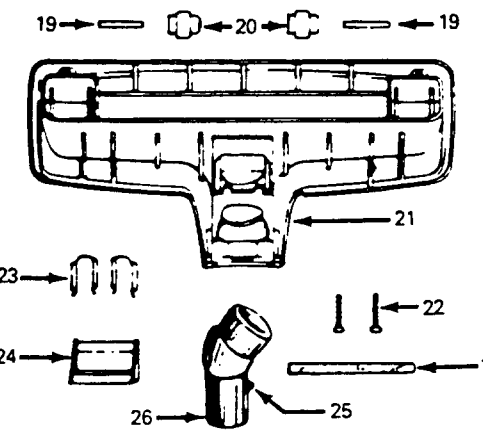
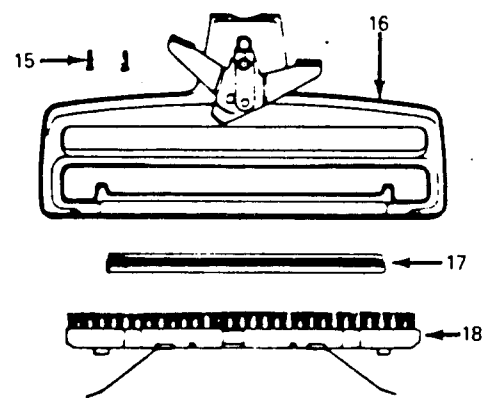
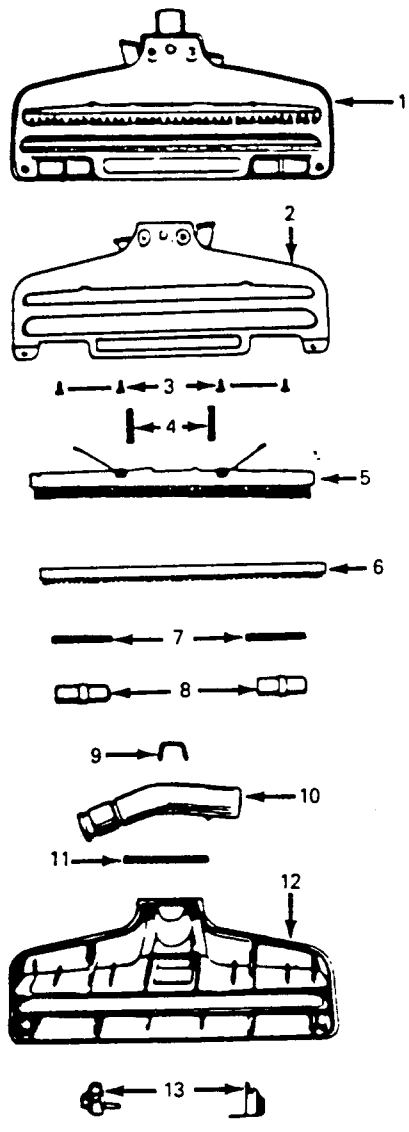
Ref. No.	Part No.	Description
1	11756JM	+ Hose Comp. - Ultraflex - Constellation
2	35123JM	+ Hose - Less Ends - Constellation
3	43438035	Hose Comp. - Portable Canisters
4	43438035	Hose Comp. - Portable Canisters
	23203JM	+ Hose Comp. - Constellation
6	48617JM	+ Hose Less Ends - Constellation
9	48685	+ Medallion - 87
10	48733	+* Screws
11	48876	+ Switch Slide - 87
12	35180	+ Switch Contact - 87
13	23195	+ Switch Terminal Block - 87
14	49041	+* Contact - Top - 87
15	35106	+ Switch Contact - Bottom - 87
16	35183	+ Switch Contact - Bottom - 87
17	48778	+ Switch Control Assm. & Cover - 87
18	35182	+ Contact - Top - 87
19	48735	+* Screw
20	42835	+* Screw
21	48666	+* Contact - Top - 87
22	48667	+* Contact - Lower - 87
23	49042	+* Contact - 87
24	35123	+* Spring - 87
25	23145JM	+ Hose Grip Connector
26	35201JM	+ Hose End Assm.
27	34667	+ Hose Latch Spring
28	48853	+* Rivet
29	23142	+ Hose Guard - 87
30	23159A	+ Hose Tube Curved Assm.
31	12783	+* Rivet
-	-	Not Applicable - S3033-030

## Canister & Portable Cleaners

Ref. No.	Part No.	Description
32	12846AG	Tube latch Not Applicable - S3033-030
33	12772	+* Rivet Not Applicable - S3033-030
34	12615BZ	Hose Connector Collar
35	32156010	Hose Sleeve
36	38641004	Connector End
37	12704BZ	Hose Grip collar
	36116006	Hose Connector Collar - S3033-030
38	43468018	+ Hose Tube - Curved (Aluminum)
	43468019	+ Hose Tube Assm. w/Suction Regulator ( use 43466044)
	43466044	Hose Conn. Curved w/Rings (Plastic)
39	13142AG	Suction Regulator Control Not Applicable - S3033-030
40	13275	+* Screw Not Applicable - S3033-030
41	13588	+ Slide Not Applicable - S3033-030
42	13257BZ	Suction Regulator
43	43468073	Hose Tube - except 87
44	23393JM	Hose Grip - Short
45	36153009	Latch Ring
46	38711006	Suction Control Ring

### ITEMS NOT ILLUSTRATED

51869006	Hose Connector Label (Use in conjunction w/Item 38, S3033-030)
----------	---



## Cleaning Tools

Ref. No.	Part No.	Description
1	43414101	+ Rug & Floor Nozzle Comp.
2	42246002	+ Bottom Plate - Edge Cleaning
3	12955	* Screw
4	15963FW	+ Spring
5	13258 16184	+ Brush Back Brush Back Assm. - 2120-01, S3013, S3013-001
6	13259PH	+ Litter Picker
7	13272	+ Shaft
8	13157AG	+ Roller
9	161413	+* Retainer
10	13156T 13156LL 43463012	+ Nozzle Connecting Tube + Nozzle Connecting Tube + Nozzle Connector Tube - JM - 2120- 01, S3013-001
11	13267	+* Gasket
12	38615031 38615156	+ Nozzle - Edge Cleaning Nozzle - JM - 2120-01. S3013-001
13	13261AY	* Rib Shoe
15	808537	+* Screw
16	604477	+ Bottom Plate Assm.
17	714232	+ Litter Picker
18	714256	+ Brush Back Assm.
19	815368	+* Pin
20	815357LL	+ Roller
21	0M114169	Carpet & Floor Nozzle
22	907735	+ Screw
23	714249	+ Shoe
24	612929	+ Tube Retainer - Plastic
25	162331	+ Rivet
26	650110A	+ Connector Tube
27	43414057	Furniture Nozzle
28	38617017	Crevice Tool
29	34462	+ Sprayer Comp.
30	13077JM 43414073	+ Bare Floor Brush Floor Brush Assm.
31	13155	+ Bare Floor Brush (Use w/ 3077JM)
32	13253AG	+ Floor Brush Face
33	13276 33712007	Swivel Bushing - Floor Brush (Use w/13154JM) Split Ring (Use w/38644040)

## Canister & Portable Cleaners

Ref. No.	Part No.	Description
34	13154JM 38644040	+ Floor Brush Swivel & Collar Swivel Connector (Use w/48473025)
35	161851JM 43414064	+ Dusting Brush Dusting Brush (One Piece)
36	13149JM	Nozzle Connector Tube (Use w/ 161851JM)
37	13150LL	+ Nozzle (Use w/ 61851 JM)
38	13263BZ	+ Brush (Use w/ 61851 JM)
39	161852JM 43414016	+ Furniture Brush Comp. Furniture Brush - AG
40	13149JM	Nozzle Connector Tube (Use w/ 161852JM)
41	161852JM	+ Furniture Brush Comp.
42	13254BZ	+ Furniture Brush Back (Use w/ 161852JM)
43	43458001	Ext. Wand
	43453027	Ext. Wand - S3033-030
44	12589	Tube Guide
45	12845JM	Gasket - Outer
46	12844JM	+ Gasket - Inner
47	12598	+ Ext. Tube - Inner
48	12597	Ext. Tube - Outer
49	36152018	Tube Latch - Outer
50	12846AG	Tube Latch - Inner
51	12763AW	* Rivet
52	12772	+* Rivet
53	12783	+* Rivet
54	12600	* Rivet
55	12824	+* Reinforcement Plate
56	21312704	* Washer
57		+ Ext. Tube - Use 43458001
58	34986LL	+ Ext. Tube - Inner
59	48468	+ Ext. Tube Assm. - Outer
60	48458	+ Guide
61	48460	+* Rivet
63	35015	+ Lock Spring
64	48467	+ Lock Pin
65	35104	+ Tube Lock
66	23016	+ Lock Housing