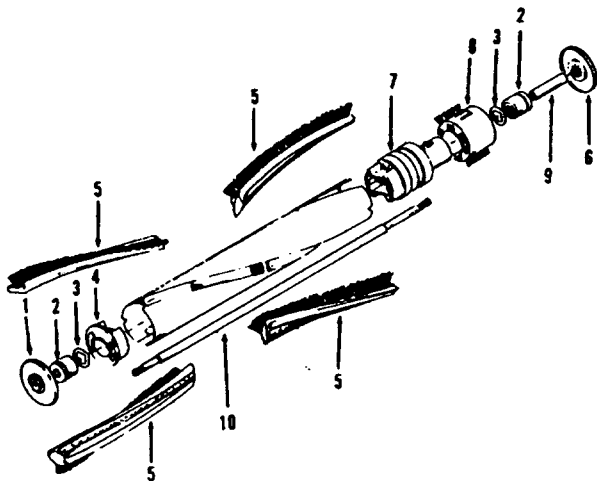
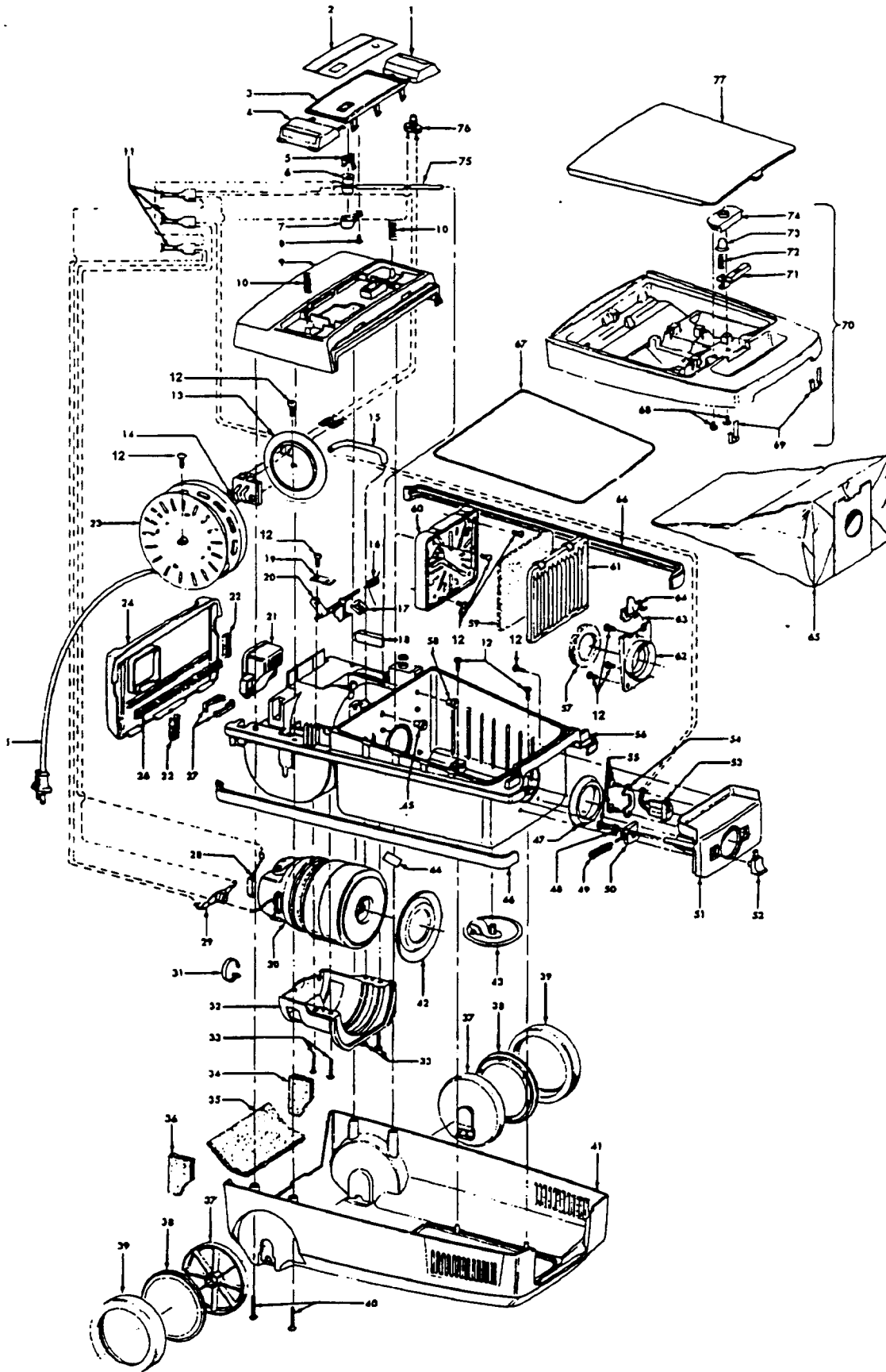


Ref. No.	Part No.	Description
1	46321088	Cord - 3.5' - AG
2	36231096	Furniture Guard - MY
3	48416030	Agitator - 4B
4	163768	Strain Relief
5	21447041	* Screw
6	27479307	* Wire Tie
7	36131023	Retainer Housing - MX
8	43461021	Nozzle Connector - AG
9	34112005	* Seal
10	34337003	* Seal
11	48969	* Wire Nut
13	42256098	Duct Cover
14	34123017	* Seal
15	35276001	* Detent Spring
16	32175025	Wheel - AG
17	31523005	Shaft
18	32761001	Wheel
19	31522004	Wheel Shaft
20	21447007	* Screw
21	42246121	Base Plate Assm. - (Incl. Items 16,17, 18, 19, 22)
22	34337004	* Seal
23	43177073	Motor
26	27666702	* Terminal
27	34361001	Switch Actuator
28	42262032	Housing
29	36131017	* Retainer
30	37258082	Shield
31	281770KD	Switch
32	51151053	Indicator - PH
33	38353007	Torsion Spring
34	31523006	Pivot Pin
35	38458002	Depressor
36	38433044	Switch Pedal - MY
37	38528011	Belt
38	42252189	Nozzle Body
39	52125086	+ Nameplate
40	39383060	Lens - KC
41	43457037	Swivel Tube - AG

Agitator 48416030



Ref. No.	Part No.	Description
1	48495AY	Thread Guard
2	43267002	Bearing
3	21347003	Washer
4	36422001	End
5	48445017	Agitator Brush
6	41435018	Thread Guard
7	38537008	End Pulley
8	48418001	Brush Ring
9	31722019	Spacer
10	32724005	Shaft



Ref. No.	Part No.	Description
1	38434003	Switch Pedal - AG
2	51375085	+ Nameplate
3	37214161	Control Panel - MY
4	38434008	Cord Pedal
5	39383095	Lens
6	27343213	Bag Indicator
7	36131052	* Retainer Clip
8	160508	+* Screw
9	37221010	Rear Deck - MX - S3273
	37221023	Read Deck - ML - S3275
10	38313021	+* Spring
11	18972	Terminal - Insulated
12	21447003	* Screw
13	36924005	Brush Block Bracket
14	47342008	Brush Block
15	31725018	Vent Tube
16	38356006	+ Spring
17	36222008	Brake Pad
18	34132014	+ Foam Pad
19	36131017	* Retainer
20	38458012	Brake Arm
21	37926009	Plug Housing
22	34132008	+ Seal
23	46831025	Cord Reel
24	42224001	Rear Panel - MY
25	46383308	Cord - AAP - 23'
	164123	* Terminal
26	34123025	+ Seal
27	35253004	Ferrule
28	167679	Carbon Brush
29	28382111	Hi-Limit Thermostat
30	43578053	+ Motor - (P - 143)
31	27479307	* Wire Tie
32	37196110	+ Motor Cap
33	21447072	* Screw
34	34214002	+ Seal - LH
35	34172026	+ Seal
36	34214001	+ Seal - RH
37	43244021	Inside Wheel
38	32811001	+ Outside Wheel - ML
	32811012	+ Outside Wheel - AG
39	38522053	Tire
40	21447121	* Screw
41	37212013	Lower Case & Seal - ML - S3273
	37212124	+ Lower Case & Seal - MX - S3275
42	38784013	+ Seal
43	43244025	Caster Wheel
44		Tape
45	32271003	+ Tube Adapter
46	36235023	+ Furniture Guard - RH - MY
47	38784015	+ Seal
48	21328071	+* Washer
49	38313017	* Spring
50	36152005	Slide Latch
51	37218010	Hose Module - ML - S3273
	37218017	Hose Module - MX - S3275
52	38421011	Slide Button
53	46325018	Receptacle - 2W
54	36171009	Clamp

Ref. No.	Part No.	Description
55	21447203	Screw
56	37215111	Main Frame - MY
57	38784017	Seal
58	32282008	+ Tube Adapter
59	38765006	Filter
60	36434105	+ Back Support
61	37944004	Filter Retainer
62	36425032	Bag Collar Support
63	38351006	+ Spring
64	36153026	Bag Latch
65	4010037M	Paper Bag - 3 Pk.
66	36235024	Furniture Guard - LH - MY
67	31526003	Seal
68	21447017	+* Screw
69	21378157	Spring Clip
70	42217106	Bag Lid - AG - S3273, S3275
71	36152007	Latch - MX - S3273
	36152013	Latch - S3275
72	38313017	* Spring
73	38411053	+ Pop - Up Button
74	36131048	Latch Retainer
75	31727025	Vent Tube - Indicator
76	47511030	Switch
77	36433024	Tool Lid - AAL

	56513206	+ Owner Manual - S3273
	56513207	Owner Manual - S3275
	58185096	+ Carton - S3273
	58185097	+ Carton - S3275
	58461024	+ Rear Support
	58461025	+ Front Support
	58216010	+ Bottom Pad
	58333010	+ Mid Pad
	58369022	+ Bottom Support

CLEANING TOOLS - (P - 150)

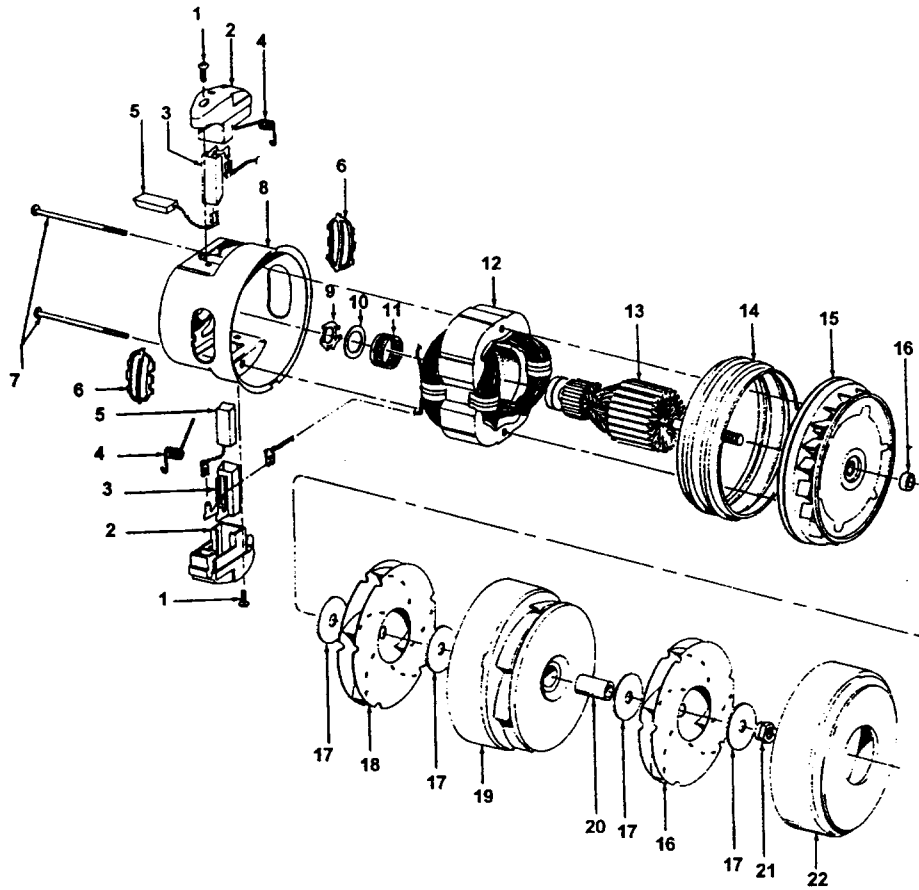
	38617017	Crevice Tool - AG
	43414057	Furniture Nozzle - AG
	43414064	Dusting Brush - AG
	43414073	Floor Brush - AG

CLEANING TOOLS - S3273

	43433080	Hose - 2W
	43453052	Extension Tube - 20 - AX
	48438190	Power Nozzle - LZ - (P - 144)

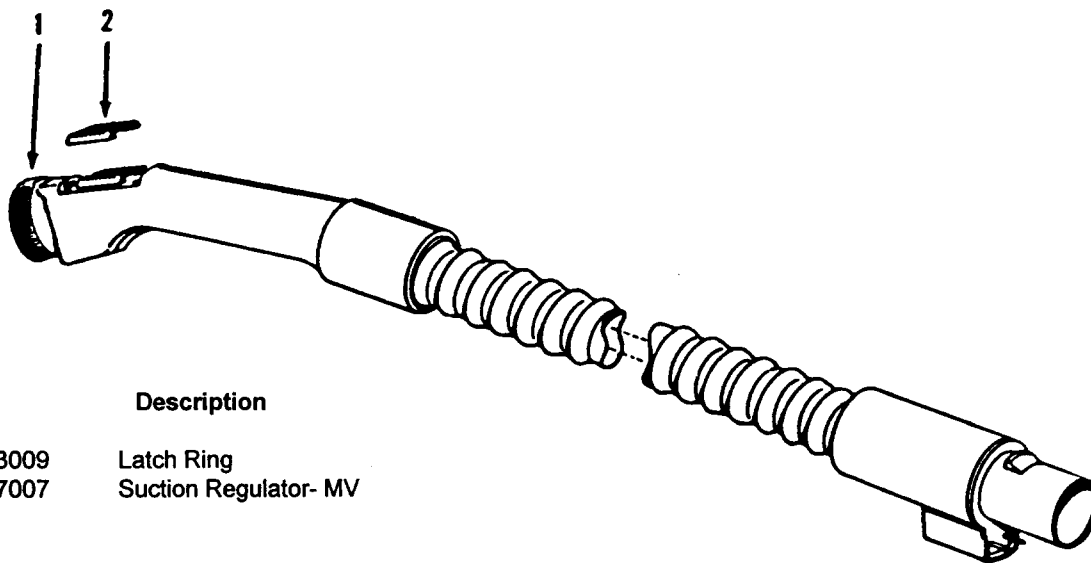
CLEANING TOOLS - S3275

	43433080	Hose - 2W
	43453052	Extension Tube - 20 - AX
	48438044	Power Nozzle - (P - 147)

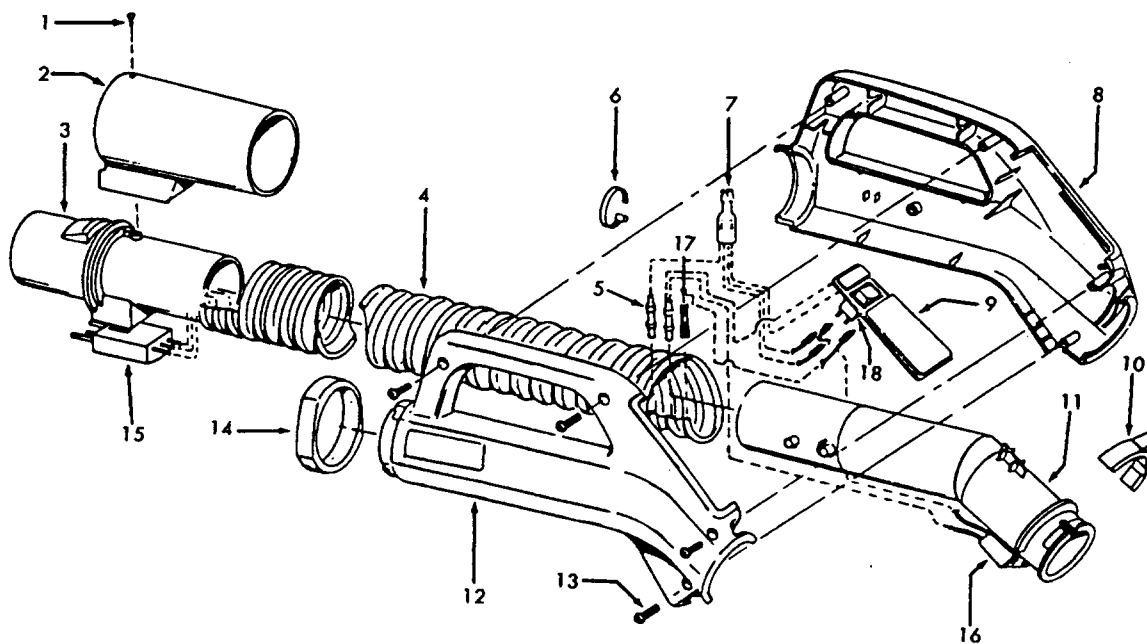


Ref. No.	Part No.	Description
1	21429406	* Screw
2	168038	Brush Carrier
3	168506--	Brush Holder
4	38353004	Spring
5	167679	Carbon Brush
6	169702BZ	+ Bushing
7	36112003	+* Bolt
8	42192016	Motor Housing
9	21345116	+ Spring Washer
10	21312778	+* Thrust Washer
11	24198002	Star Ring
12	45311048	Field Coil
13	44765185	Armature
14	36322012	Motor Mount
15	43551013	Diffuser
16	31148009	Spacer
17	21312701	* Washer
18	43566017	Fan
19	42192033	Interstage
20	31743003	Spacer
21	33426001	Nut
22	37196087	Fan Cover

Dimension Hose
43433087 + Hose - 2W - AAP 7-1/2'
43433080 Hose - 2W - AAB 6'



Ref. No.	Part No.	Description
1	36153009	Latch Ring
	34777007	Suction Regulator- MV



Ref. No.	Part No.	Description	Ref. No.	Part No.	Description
	43433025	Hose - 3W - MV	10	36153029	Latch Ring
	43433082	+ Hose - 3W - MV	11	38646034	Inner Tube
1	21124102	* Drive Screw	12	48663161	Grip - RH - MV
2	38634067	Grip - MV		39461007	Grip - RH - MV - (43433025)
3	38638030	+ Hose Connector	13	21447124	* Screw
4	43431014	Hose - 3W	14	36131087	Retainer Ring
5	31712006	* Insulating Sleeve	15	46521008	Plug - 3 Pin
6	27479307	* Wire Tie	16	46325024	Connector Repair Kit - (43433082 Only)
7	12227	Insulated Terminal	17	27613003	Wire Slice
8	48663161	Grip - LH - MV	18	28161051	Switch
	39461008	Grip - LH - MV - (43433025)			
9	47551025	+ Grip Control Panel - AG (incl. Items 6, 7, 17)			

Cleaning Tools - Dimension



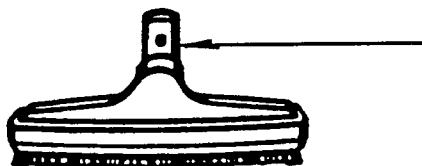
38617017 Crevice Tool - AG



43414057 Furniture Nozzle - AG



43414064 Dusting Brush - AG

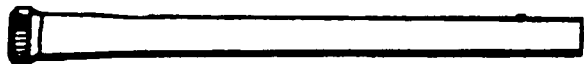


38644020 Swivel Connector

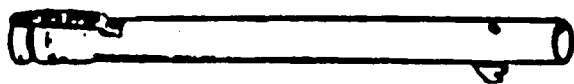
43414073 Floor Brush - AG



48447001 + Brush Back



3863801P Extension Tube - AG



43453058 + Ext. Tube - BL - 20

43453052 Ext. Tube - AX - 20



43453023 Ext. Tube - AX - 20 w/c