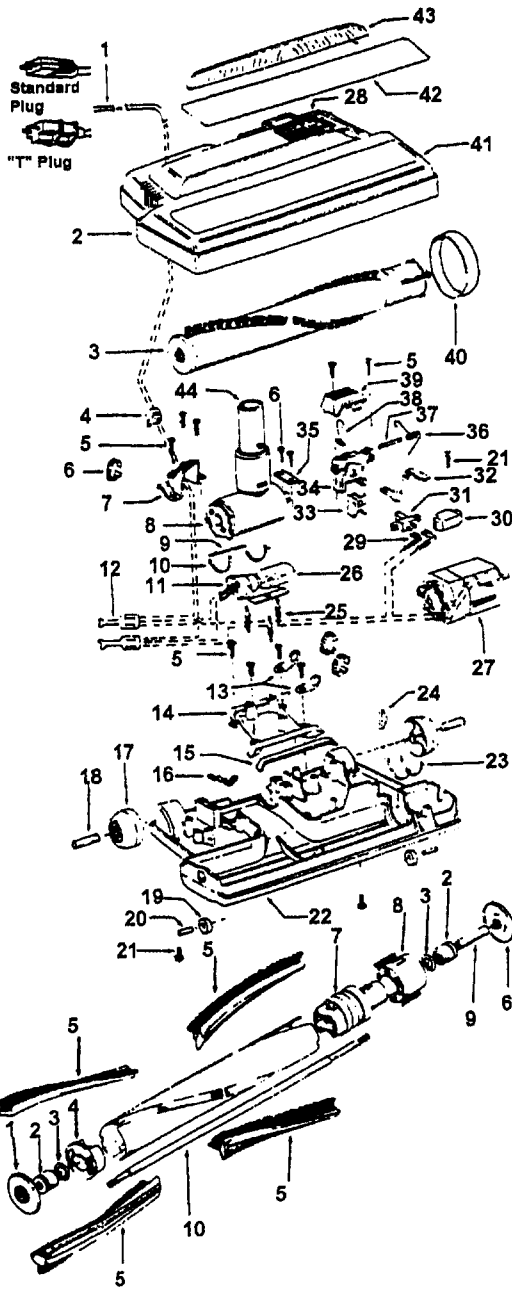


Power Nozzle 48438112 + (Use 48438044)  
 48438124 - ABB, 48438126 - ABB  
 48438226 - AG T - Plug,  
 48438044 - AG - Standard Plug

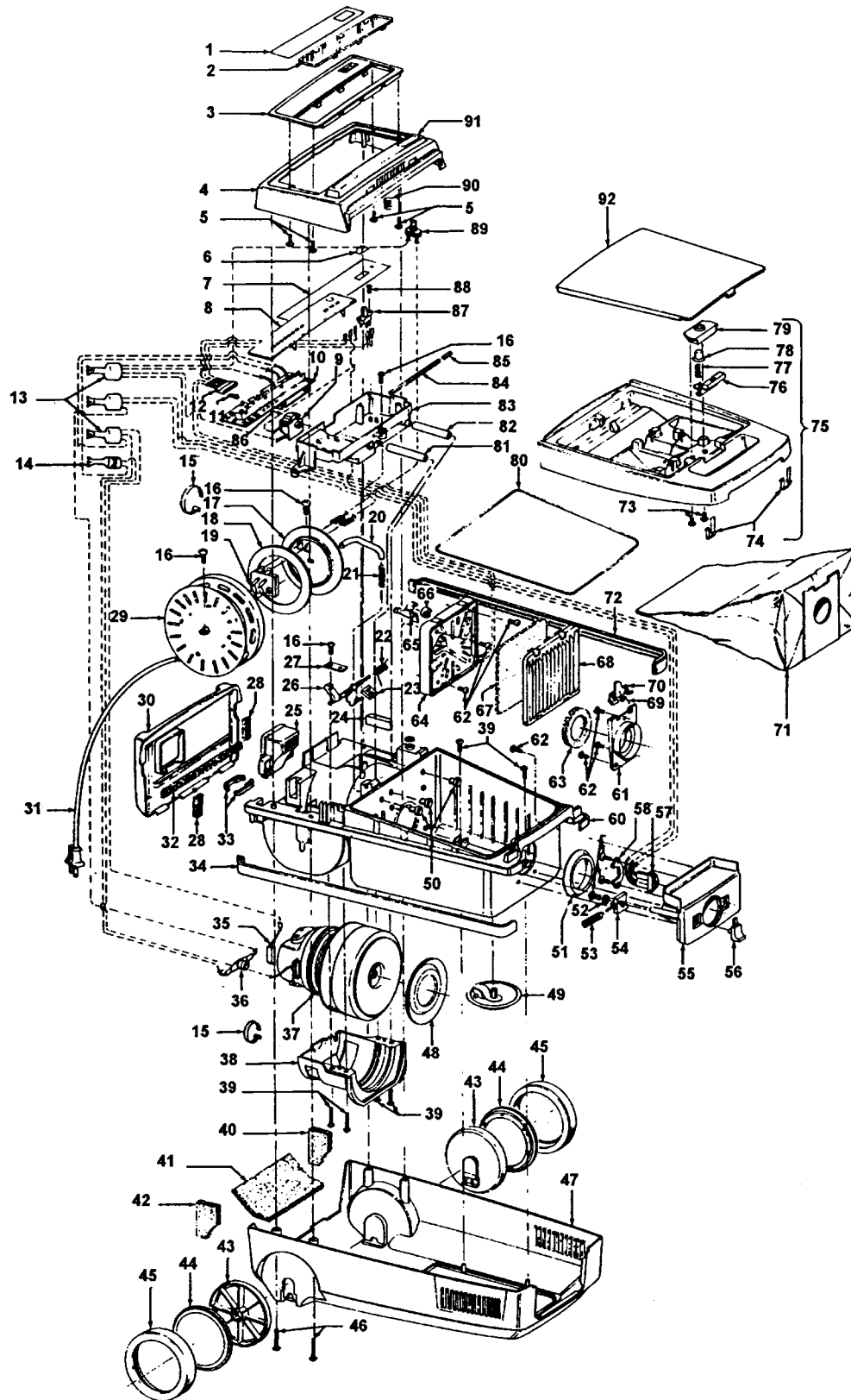
Model S3277, S3277-040, S3279,  
 S3491, S3493, S3623, S3625



**Agitator 48416030**

1	48495AY	Bearing
2	43267002	Bearing
3	21347003	* Washer
4	36422001	End
5	48445017	Agitator Brush
6	41435018	Thread Guard
7	38537008	End Pulley
8	48418001	Brush Ring
9	31722019	Spacer
10	32724005	Shaft

Ref. No.	Part No.	Description
1	46321088	Cord - AG - Standard Plug
	46321009	Cord - S3625
2	36231103	Furniture Guard - MS - S3277, S3277-040, S3279
	36231096	Furniture Guard - MY
3	48416030	Agitator - 4B
4	163768	Strain Relief
5	21447041	* Screw
6	27479307	* Wire Tie
7	36131044	Retainer Housing - MP
	36131067	Retainer Housing - AG - S3491, S3493, S3623, S3625
8	43461021	Nozzle Connector - AG (Incl. Item 44)
9	34112005	* Seal
10	34337003	* Seal
11	47171009	+ Lamp Socket
12	18972	* Insulated Terminal (3 Wire)
13	45517	* Wire Holder
14	42256098	Dust Cover
15	34123017	* Seal
16	35276001	* Detent Spring
17	32175025	Wheel - AG
18	31523005	Wheel Shaft
19	32761001	Wheel
20	31522004	Wheel Shaft
21	21447007	* Screw
22	42246121	Base Plate Assm. (incl. Items 17,18,19,20,23,24)
23	34337004	* Lower Seal
24	13261AY	* Rib Shoe
25	36218005	Grommet
26	27317307	Lamp - 15
27	43177073	Motor
28	51865002	+ Indicator Lens
	51865018	Indicator Lens
29	27666702	* Terminal
30	37258082	Shield
31	281770KD	Switch
32	51151053	Indicator - PH
33	34361001	Switch Actuator
34	42262032	Housing
35	36131017	* Retainer
36	38353007	Torsion Spring
37	31523006	Pivot Pin
38	38458002	* Depressor
39	38433054	Switch Pedal - MR
	38433067	+ Switch Pedal - MWV - S3491, S3493, S3623, S3625
40	38528011	Belt
41	42252189	Nozzle Body-AG - (Incl. Items 2,43)
42	52125092	Nameplate - S3277, S3279
	52125114	Nameplate - S3277-040, S3491, 4393
	52125133	Nameplate - S3623, S3625
43	39383060	Lens
44	43457037	Swivel Tube - AG



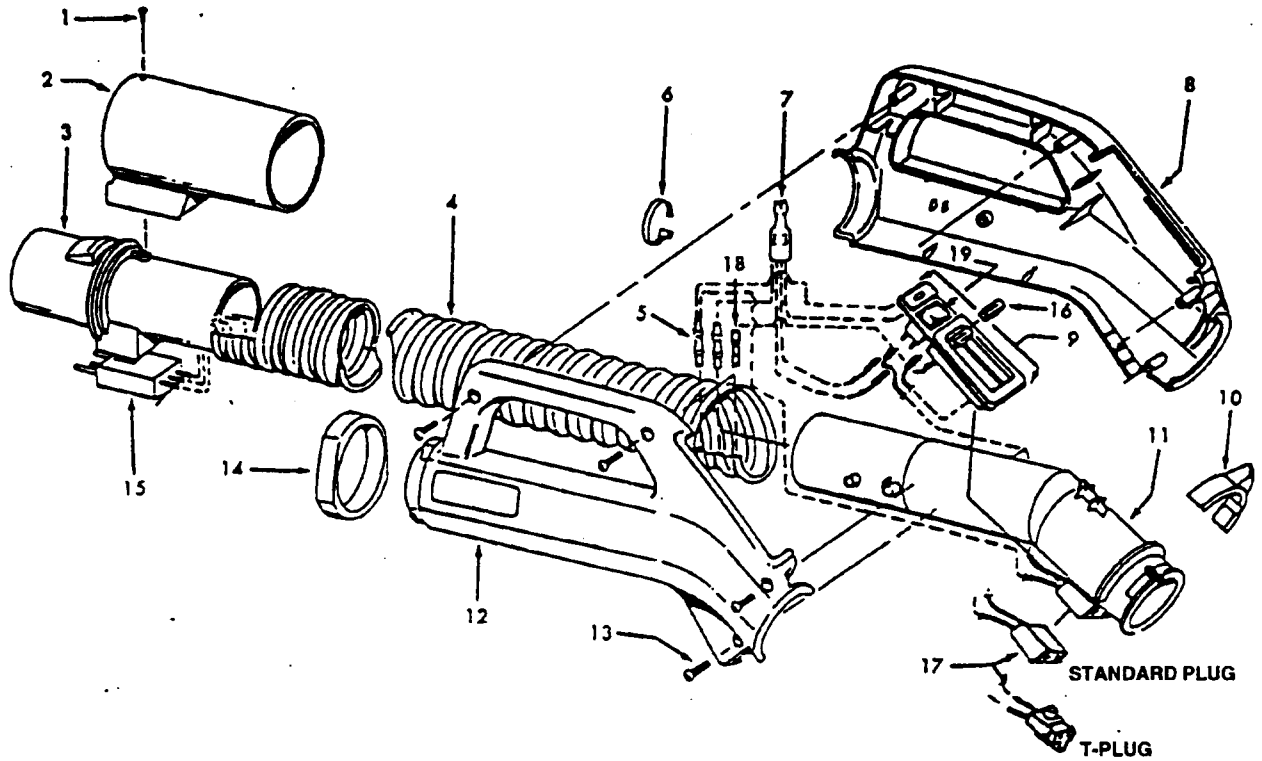
# Dimension Cleaner

# Model S3281, S3283, S3283-040, S3493, S3635

Ref. No.	Part No.	Description
1	51375073	Nameplate -S3281, S3283
	51375121	Nameplate -S3283-040, S3493, S3635
2	39382022	Lens
3	37214083	Control Panel - AG
4	37221017	+ Rear Deck - MN - S3283, S3283-040, S3635
	37221018	Rear Deck - AG - S3493, S3281
5	21447125	* Screw
6	38421020	+ Switch Button - AG
7	37217007	+ Insulation Shield
8	51483002	Nameplate Panel - S3281, S3493
	51485011	Nameplate Panel - S3283, S3283-040, S3635
9	47851003	+ Transducer
10	46851022	+ P.C. Board - S3281, S3493 (Use 46851021 Board - Also order Nameplate 51485011)
	46851021	P.C. Board - S3283, S3283-040, S3635
11	36152003	+* Locking Plug
12	27719102	+ Edge Connector
13	18972	Terminal Insulated
14	12227	Insulated Terminal
15	27479307	* Wire Tie
16	21447003	* Screw
17	36924005	Brush Block Bracket
18	31178027	Seal]
19	47342008	Brush Block
20	31725020	Vent Tube
21	38315010	+ Vent Tube Spring
22	38356006	+ Spring
23	36222008	Brake Pad
24	34132014	+ Foam Pad
25	37926007	Plug Housing - MZ - S3281
	37926009	Plug Housing - AG
26	38458012	Brake Arm
27	36131017	* Retainer
28	34132008	+ Seal
29	46831025	Cord Reel
30	42224005	Rear Panel - AG
31	46383308	Cord - AAP - 23
32	34123025	+ Seal
33	35253004	Ferrule
34	36235036	+ Furniture Guard - RH - MZ - S3281
	36235037	Furniture Guard - RH - MV - S3283, S3283-040, S3493, S3635
35	167679	Carbon Brush
36	28382111	Hi-Limit Thermostat
37	43578037	+ Motor - (P- 1 92)
	43578082	Motor - (P- 1 92)
38	37196110	+ Motor Cap
39	21447072	* Screw
40	34214002	+ Seal-LH
41	34172026	+ Seal
42	34214001	+ Seal - RH
43	43244021	Inside Wheel
44	32811006	+ Outside Wheel - MW
	32811012	+ Outside Wheel - AG
45	38522051	Tire - MZ - S3281
	38522053	Tire - AG
46	21447121	* Screw
47	37212131	+ Lower Case - MU - S3281
	37212132	+ Lower Case - MW - S3283, S3283-040
	37212138	+ Lower Case - AG - S3493, S3635
48	38784013	+ Motor Seal
49	43244025	Caster Wheel
50	32271003	+ Tube Adapter
51	38784015	+ Seal
52	21328071	+* Washer
53	38313017	* Spring
54	36152005	Slide Latch
55	37218020	Hose Module - MU - S3281
	37218021	+ Hose Module - MW -
	37218022	+ Hose Module - AG - S3283, 3283-040, S3493, S3635
56	38421011	Slide Button
57	46526006	Receptacle - 3W

Ref. No.	Part No.	Description
58	36171009	Clamp
59	21447203	Screw
60	37215109	Main Frame - AG
61	36425032	Bag Collar Support
62	21447003	* Screw
63	38784017	Seal
64	42983015	+ Air Flow Control
65	38458020	Sail
66	39131001	+ Magnet
67	38765006	Filter
68	37944004	Filter Retainer
69	38351006	+ Spring
70	36153026	Bag Latch
71	4010037M	Paper Bag - 3 Pk.
72	36235026	+ Furniture Guard - LH - MZ
	36235027	Furniture Guard - LH - MV
73	21447017	+* Screw
74	21378157	Spring Clip
75	42217104	Bag Lid - MT - S3281
	42217106	Bag Lid - AG
76	36152011	Latch - MT - S3281
	36152013	Latch - AG - S3283, S3283-040, S3493, S3635
77	38313017	* Spring
78	38411053	+ Pop-Up Button
79	36131048	Latch Retainer
80	31526003	Seal
81	31724023	Vent Tube
82	31724025	Vent Tube
83	37922005	+ P.C. Board Cover
84	34123024	Seal
85	34122010	+ Seal
86	34132015	+* Foam Pad
87	28182001	Switch
88	21447120	+* Screw
89	47511030	Switch
90	38313021	+* Spring
91	38426044	+ Pedal
92	36433024	Tool Lid - AAL (Clear)
	56513214	Owner Manual
	58185121	+ Carton - S3281
	58185122	+ Carton - S3283, S3283-040
	58185133	+ Carton - S3493
	58185149	+ Carton - S3635
	58461024	+ Rear Support
	58461025	+ Front Support
	58216010	+ Bottom Pad
	58333010	+ Mid Pad
	58369022	+ Bottom Support
<b>CLEANING TOOLS - (P-150)</b>		
	38617017	Crevice Tool - AG
	43414057	Furniture Nozzle - AG
	43414064	Dusting Brush - AG
	43414073	Floor Brush - AG
<b>S3281</b>	43433024	Hose - 3W - MV - (P-1 49)
	43453052	Ext. Tube - 20 - AX
	48438044	Power Nozzle - (P-147)
<b>S3283</b>	43433024	Hose - 3W - MV - (P-1 49)
	3863801P	Extension Tube - Poly - AG
	43453052	Ext. Tube - 20 - AX
	48438044	Power Nozzle - MN - (P-147)
<b>S3283-040, S3493, S3635</b>	43433024	Hose - 3W - MV - (P-1 49)
	43453052	Ext. Tube - 20 - AX
	48438226	Power Nozzle - AG - T -Plug - S3493 - (P- 146)
	48438044	Power Nozzle - AG - Std. Plug - S3493, S3283-040 - (P- 146)
	48438123	+ Power Nozzle - AG - S3635 - (P-265)

## Dimension Hose



Ref. No.	Part No.	Description	Ref. No.	Part No.	Description
	<b>43433079</b>	<b>+ Hose - 3W - MV - 6'</b>		<b>43433024</b>	<b>Hose - 3W - MV - 7-1/2' (T - Plug)</b>
1	21124102	Drive Screw	1	21124102	* Drive Screw
2	38634067	Grip - MV	2	38634067	Grip - MV
3	38638030	Hose Connector	3	38638030	Hose Connector
4	43431014	Hose - 3W	4	43431014	Hose - 3W
5	31712006	Insulating Sleeve	5	31712006	* Insulating Sleeve
6	27479307	Wire Tie	6	27479307	* Wire Tie
7	12227	Insulated Terminal	7	12227	Insulated Terminal
8	48663161	Hose Grip Assm. (Incl. Items 12,17,18)	8	39461008	Grip - LH - MV (T-Plug Style)
9	48663023	Grip Control Panel - (Incl. Items 7,8,12,17)	9	47561006	Grip Control Panel - AG (Incl. Items 7,17)
	51341001	Nameplate - Grip Control Panel		51341001	Nameplate - Grip Control Panel
10	36153029	Latch Ring	10	36153029	Latch Ring
11	38646034	Inner Tube	11	38646034	Inner Tube
12	48663161	Hose Grip Assm. (incl. Items 8,17,18)	12	39461007	Grip - RH - MV (T-Plug Style)
13	21447124	+ Screw	13	21447124	+* Screw
14	36131087	Retainer Ring	14	36131087	Retainer Ring
15	46521008	Plug - 3 Pin	15	46521008	Plug - 3 Pin
16	38421040	Button	16	38421040	Button
17	46651001	+ Connector & Lamp (Std. Plug Style)	17	46651003	Connector & Lamp (T-Plug Style)
	46325024	Connector Repair Kit (Std. Plug Style)		46325032	Connector (T-Plug Style)
18	27613003	Wire Slice	18	27613003	Wire Slice
19	28161051	Switch	19	28161051	Switch

# Cleaning Tools - Dimension



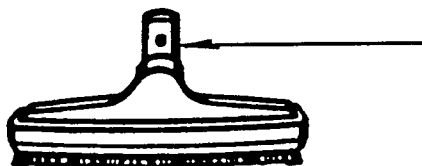
38617017 Crevice Tool - AG



43414057 Furniture Nozzle - AG



43414064 Dusting Brush - AG

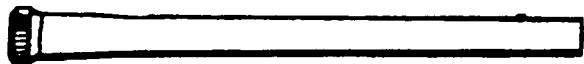


38644020 Swivel Connector

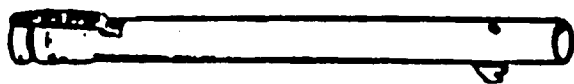
43414073 Floor Brush - AG



48447001 + Brush Back



3863801P Extension Tube - AG



43453058 + Ext. Tube - BL - 20

43453052 Ext. Tube - AX - 20



43453023 Ext. Tube - AX - 20 w/c