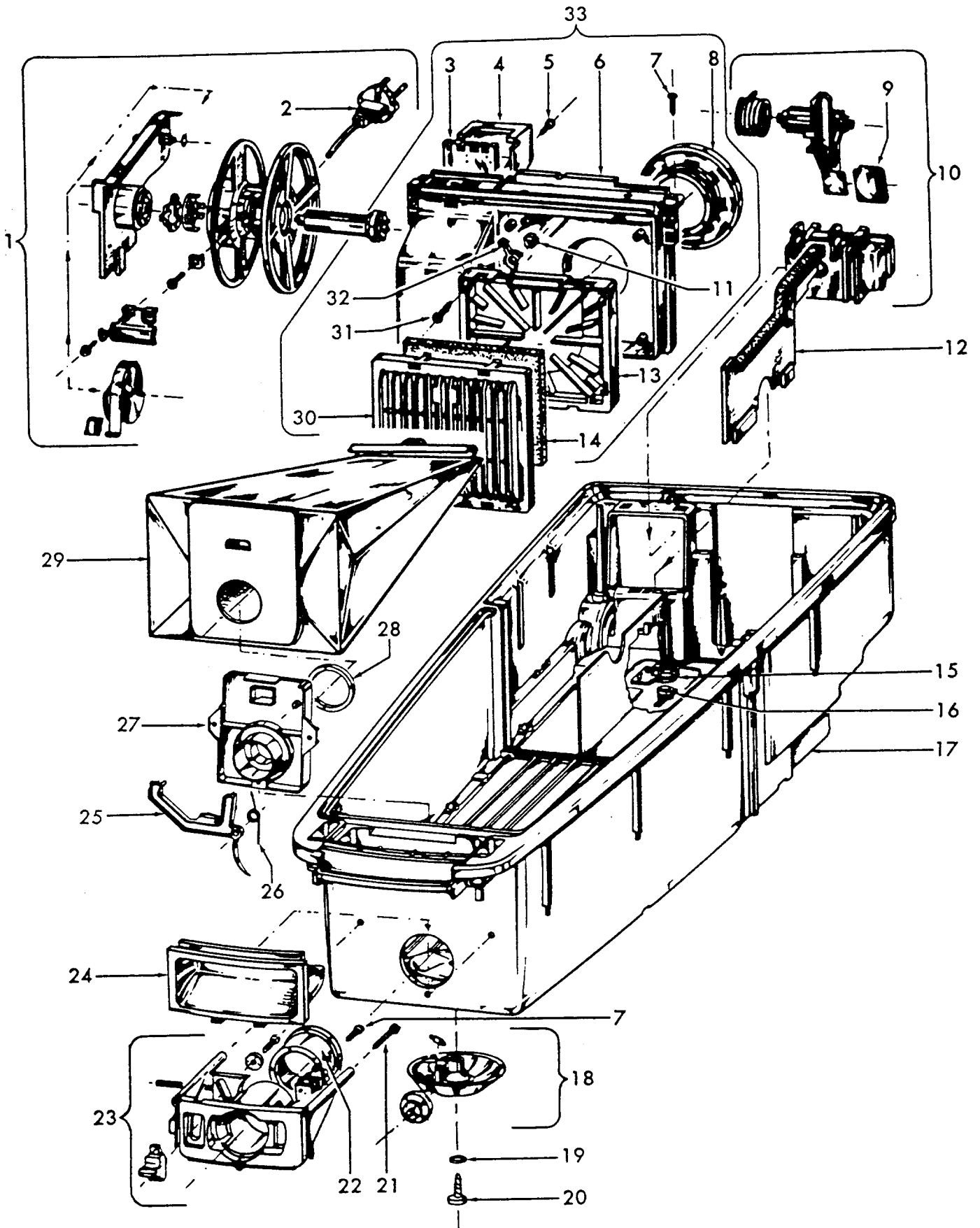


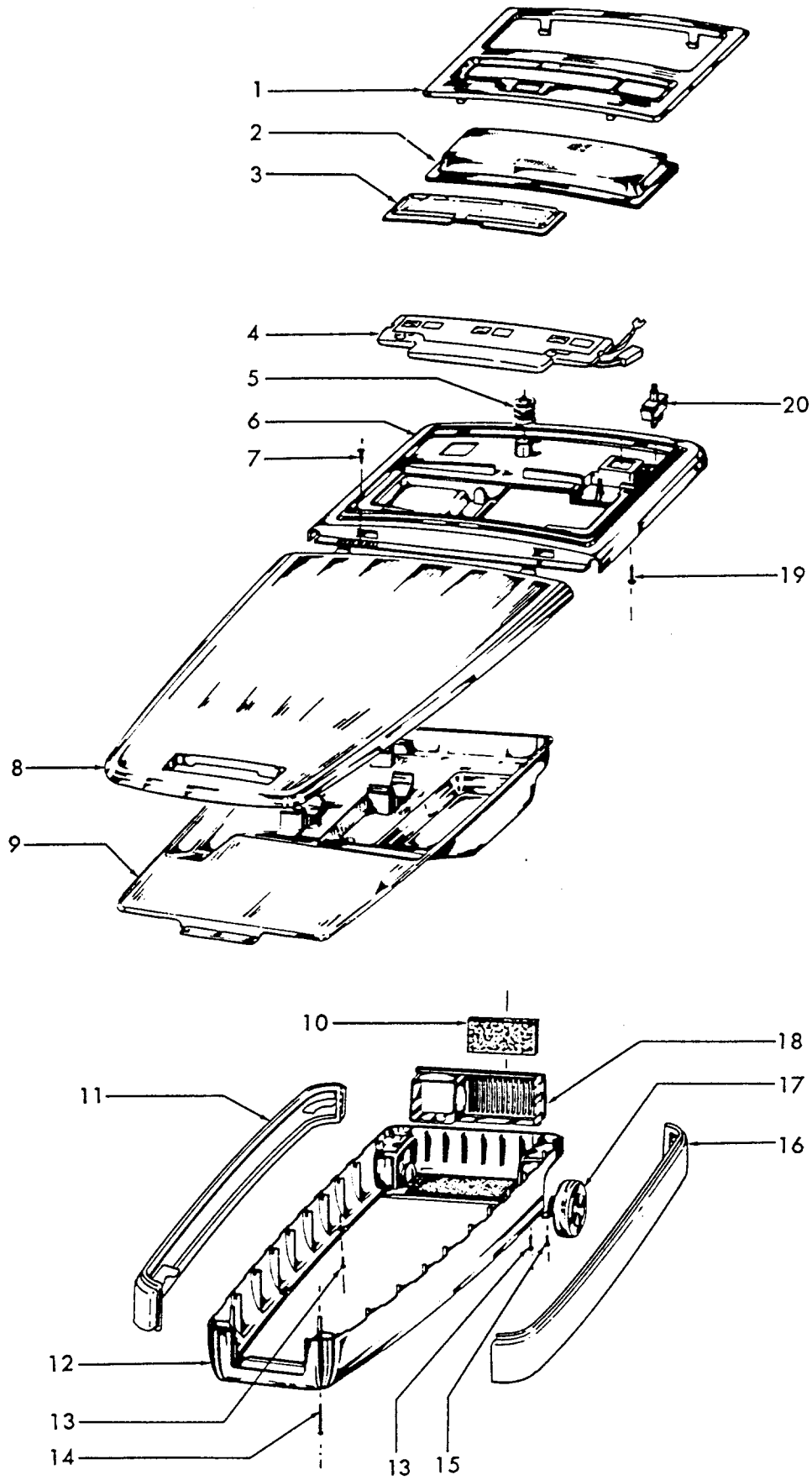
Ref. No.	Part No.	Description
1	46321905	+ Cord - 4.5'
2	36231112	+ Furniture Guard - LY
3	48416030	Agitator - 4B
4	163768	Strain Relief
5	21447041	* Screw
6	27479307	* Wire Tie
7	36131022	Retainer Housing
8	43461021	Nozzle Connector - AG
9	34112005	* Seal
10	34337003	* Seal
11	47171009	+ Lamp Socket
12	48969	* Wire Nut
14	42256098	Duct Cover
15	34123017	* Duct Seal
16	35276001	* Detent Spring
17	32175025	Wheel
18	31523005	Shaft
19	32761001	Wheel
20	31522004	Wheel Shaft
21	21447007	* Screw
22	42246121	Base Plate (Inc. items 17, 18, 19, 20, 23)
23	34337004	* Lower Seal
24	51371010	+ Indicator Nameplate
25	36218005	Grommet
26	27317307	Lamp - 15
27	43177073	Motor
28	39382013	+ Indicator Lens
29	27666702	* Terminal
30	37258082	Shield
31	281770KD	Switch
32	51151053	Indicator
33	34361001	Switch Actuator
34	42262032	Housing
35	36131017	* Retainer
36	38353007	Torsion Spring
37	31523006	Pivot Pin
38	38458002	* Depressor
39	38433044	Switch Pedal - MY
40	38528011	Belt
41	42252176	Nozzle Body - TF
42	51375065	Nameplate
43	39383060	Lens - KC
44	43457037	Swivel Tube - AG
	48438122	Power Nozzle Comp.

**Agitator**

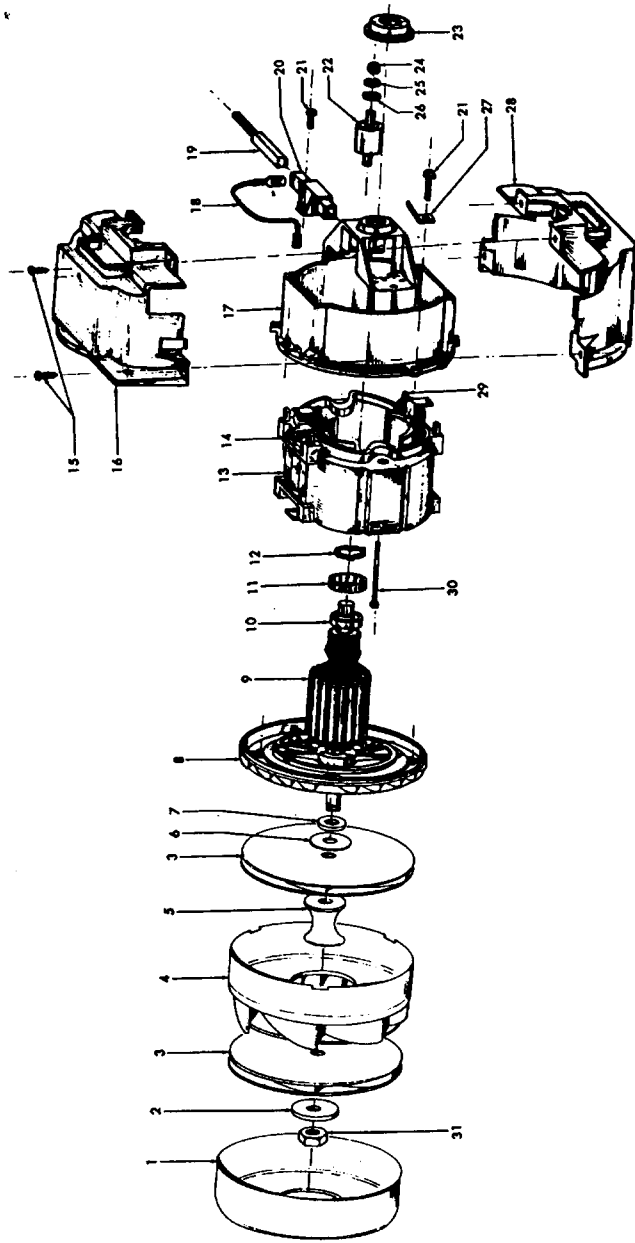
1	48495AY	Thread Guard
2	43267002	Bearing
3	21347003	* Washer
4	41435023	Agit. End (Inc. items 2, 3)
5	48445017	Agitator Brush
6	41435018	Thread Guard
7	38537008	End Pulley
8	48418001	Brush Ring
9	31722019	Spacer
10	32724005	Shaft
	48416030	Agitator Comp.



Ref. No.	Part No.	Description	Ref. No.	Part No.	Description
1	41911942	Cord Reel Comp.	18	41419901	Wheel/Swivel Assm.
2	46383068	Attach. Cord	19	21311034	+ Washer
3	47851906	+ Speed Control	20	21447063	+ Screw
4	37943901	+ Speed Control Cover	21	21447081	+ Screw
5	21447061	+ Screw	22	32771902	+ Hose Connector Seal
6	42224923	+ Partition Assm. - Reed Switch	23	42225936	Hose Connector/Receptacle Assm.
7	21447062	+ Screw	24	39461901	+ Handle/Cover
8	38784901	+ Seal	25	40414062	+ Latch Lever
9	36222901	Brake Pad	26	40414063	Bag Latch Spring
10	43147901	Brake Lever/Spring/Housing Assm.	27	40414064	Bag Support
11	27115001	Magnet	28	40414065	Bag Gasket
12	42224919	+ Partition - Cord Reel/Motor	29	4010030L	Throw Away Bag - 3 Pk.
13	37225908	+ Secondary Filter Support	30	38765903	Secondary Filter Grill
14	38765902	Secondary Filter	31	21447060	+ Screw
15	36171903	+ Thermostat Holder	32	36131903	+ Magnet Lever
16	28382124	Thermostat	33	42224922	Partition Assm. Comp.
17	42222928	Main Body			

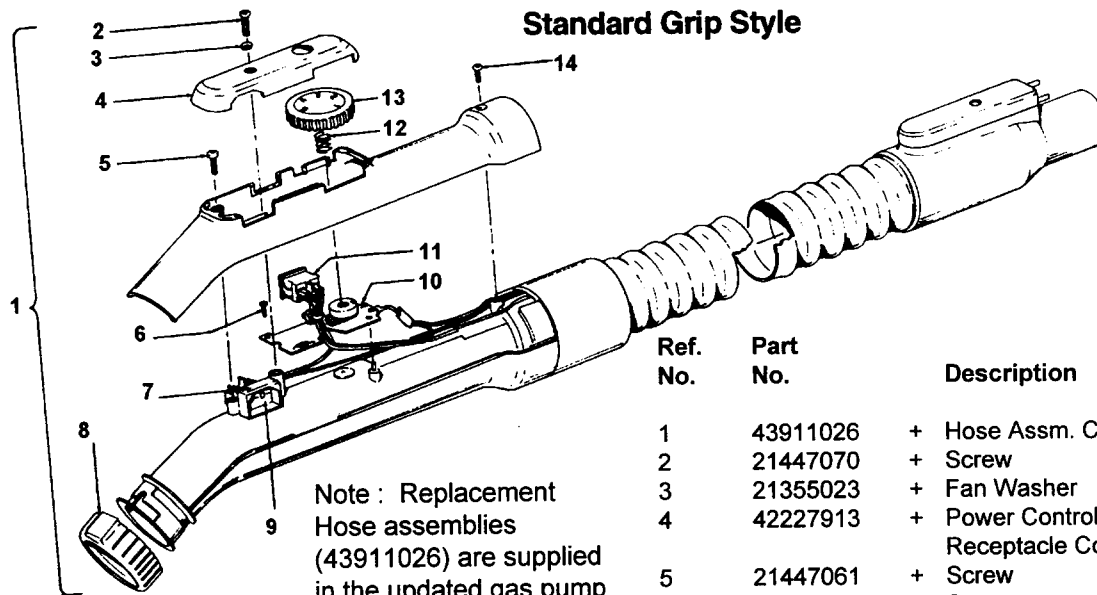


<b>Ref. No.</b>	<b>Part No.</b>	<b>Description</b>
1	37227903	Control Frame
2	38422920	+ Control Pedal
3	39382905	+ Lens
4	42983907	Indicator Assm.
5	38314901	+ Control Pedal Spring
6	42221912	+ Motor/Cord Reel Hood
7	21447061	+ Screw
8	42227912	+ Cleaning Tool Disposable Bag Cover
9	36433902	Cleaning Tool Tray
10	38765901	+ Diffuser
11	41211901	+ Furniture Guard/Support Assm.
12	42228905	+ Lower Housing Assm.
13	21447064	+ Screw (2)
14	21447066	+ Screw
15	21447059	+ Screw
16	41211902	+ Furniture Guard/Support Assm.
17	43244904	Wheel Assm. Comp.
18	37225911	Grill
19	21447059	+ Screw
20	47511901	Switch



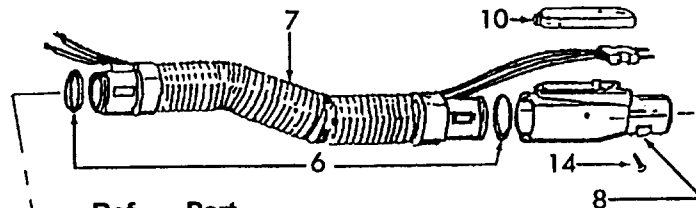
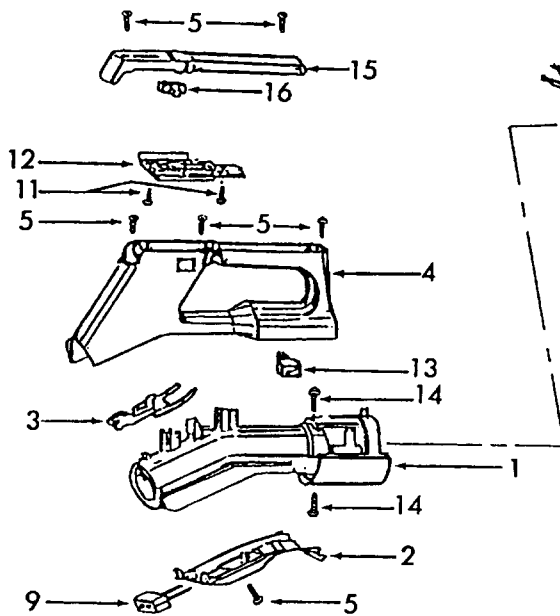
Ref. No.	Part No.	Description
	43577925	Motor Assm. Comp.
1	32178901	+ Fan Cover
2	32155901	+ Washer - Counterbalancing
3	43566904	Fan(2)
4	43551902	+ Interstage Assm.
5	32521901	+ Spacer
6	21311067	+ Washer - Plate
7	21311047	+ Washer
8	43551903	Diff user Assm.
9	44765916	Armature
10	24145001	+ Bearing
11	24198001	* Ring
12	21344005	+ Pressure Washer
13	45311902	+ Field
14	46135910	+ Lead Wire
*15	21447065	+ Screw
*16	37195902	+ Motor Cover - Upper
17	37193907	+ Motor Case
18	46125902	+ Wire Assm.
19	47318904	Carbon Brush Assm. (2)
20	41311906	+ Brush Holder Assm. (2)
21	23369015	+ Screw
*22	41917901	+ Sandwich Mount
*23	36221905	+ Motor Mount
*24	22441502	+ Nut
*25	21353003	+ Fan Washer
*26	21311041	+ Washer - Plain
27	27668380	Grounding Tab
*28	37195901	+ Motor Cover - Lower
29	46155904	+ Lead Wire
30	23369016	+ Bolt
31	22241002	Nut

\*Note: Item #'s 15,16,22,23,24,25,26, & 28 are not included as part of Motor Assm. Comp. #43577925.

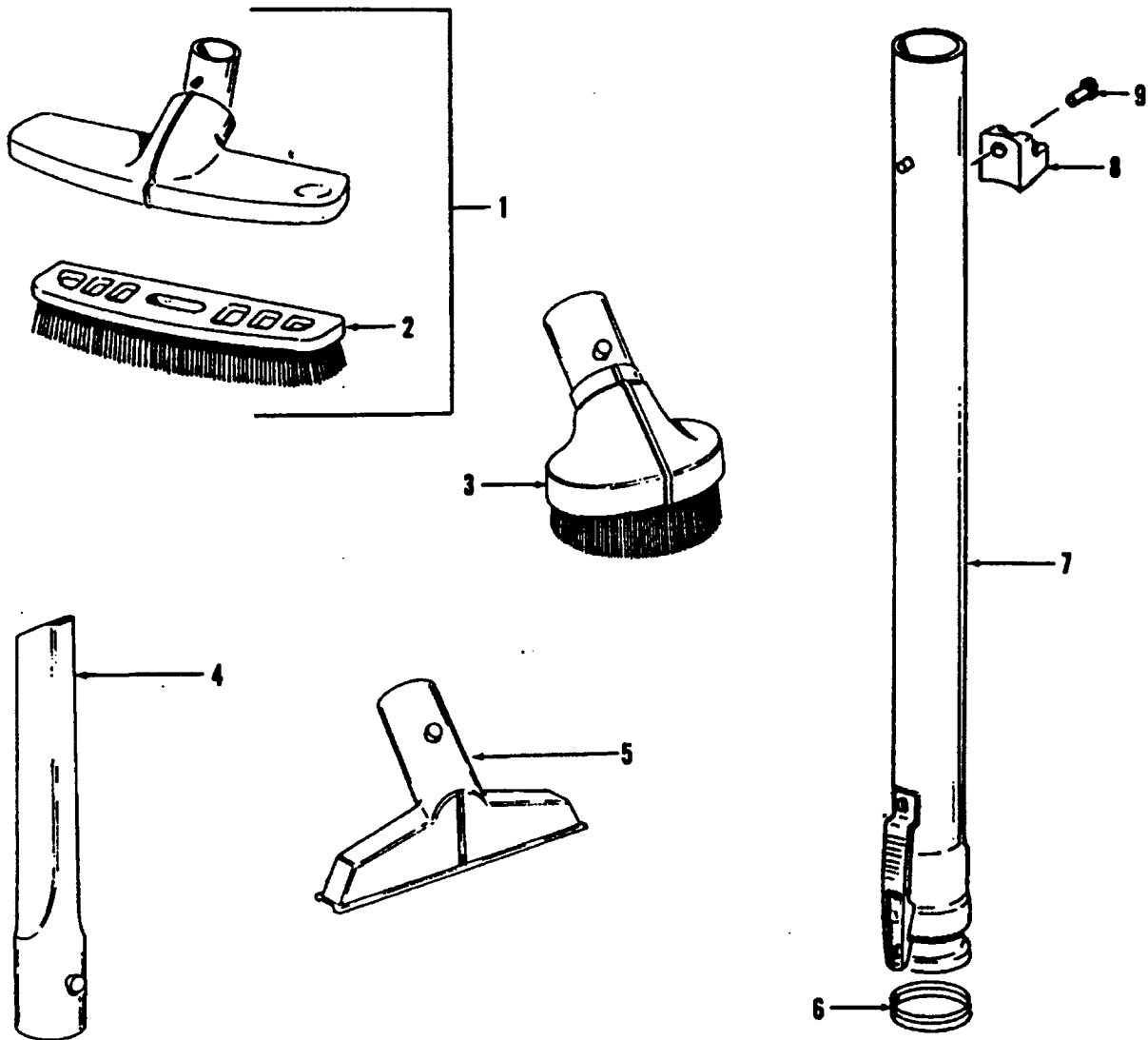


Note : Replacement  
Hose assemblies  
(43911026) are supplied  
in the updated gas pump  
grip styles only.

Ref. No.	Part No.	Description
1	43911026	+ Hose Assm. Comp.
2	21447070	+ Screw
3	21355023	+ Fan Washer
4	42227913	+ Power Control/Switch/ Receptacle Cover
5	21447061	+ Screw
6	21447048	+ Screw
7	37924902	+ Receptacle Housing
8	36172560	Latch Ring
9	37924901	+ Receptacle Housing Cover
10	47811905	Power Control Unit
11	47522901	Switch
12	38313902	+ Power Control Dial Spring
13	38412905	+ Power Control Dial
14	21447068	+ Screw



Ref. No.	Part No.	Description
1	43911026	+ Hose Assm. Comp.
2	39454928	Inner Tube
3	40414175	Lower Cover
4	40414149	Latch
5	39454949	Hose Grip
6	40414151	+ Screw
7	40414152	"O" Ring
8	40414153	3 Wire Hose
9	40414154	Hose End Connector
10	37924913	+ PTO Socket
11	40414178	Cover Lid
12	40414177	+ Screw
13	47811918	Power Control Rocker Switch
14	40414172	+ Screw
15	40414177	+ Screw
16	37951909	Hose Grip Cover
17	40414166	Potentiometer Knob



Ref. No.	Part No.	Description
1	43414073	Floor Brush
2	13253AG	+ Brush Back
3	43414064	Dusting Brush
4	38617017	Crevice Tool
5	43414057	Furniture Nozzle
6	12845JM	Gasket
7	43453088	Ext. Tube Comp. - AX - 17" (2)
8	36171005	Cord Clip
9	12783	+*Rivet