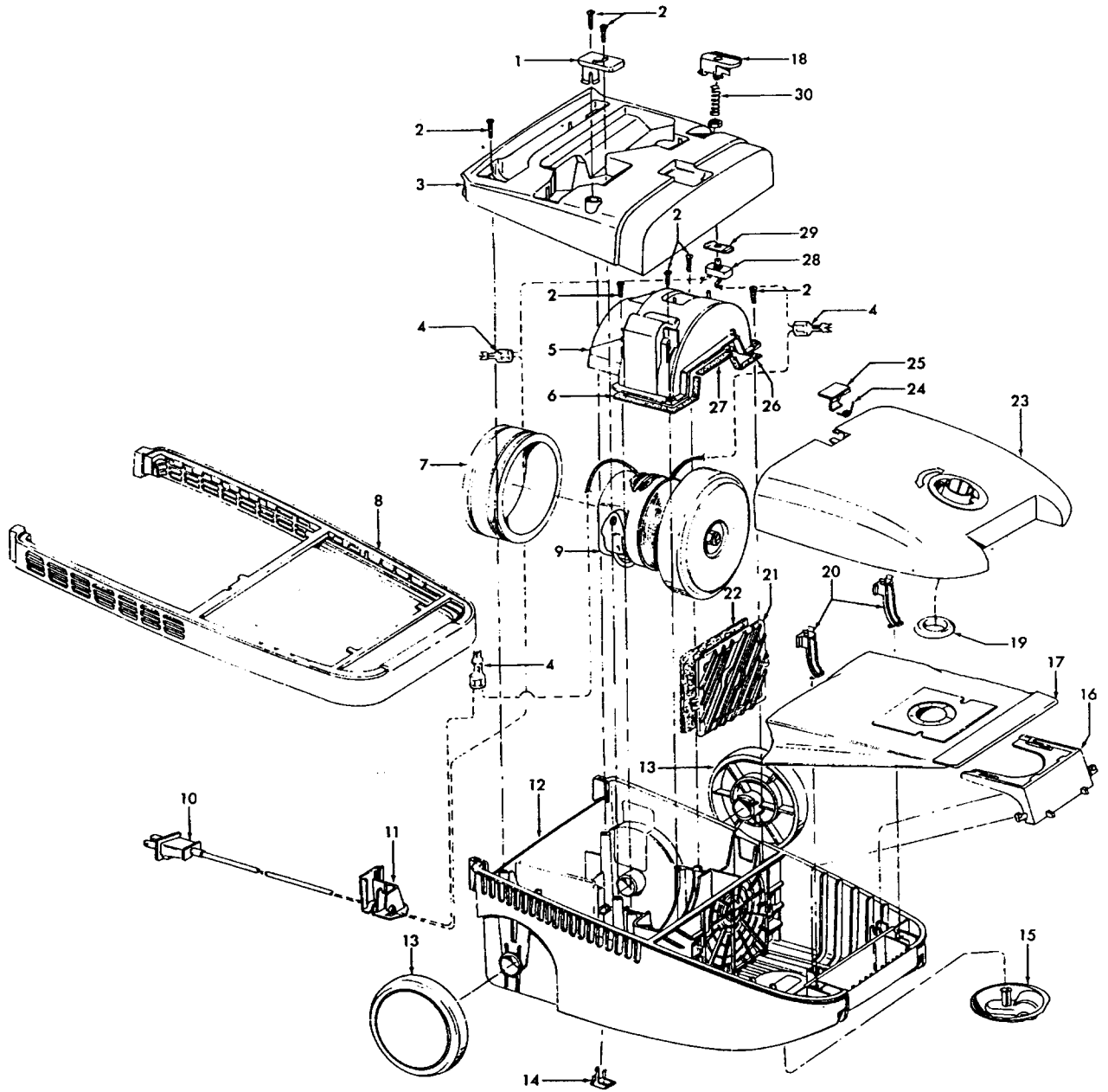


Futura
TurboPOWER 2000
PowerMax

Models S3509, S3511, S3519, S3523, S3527
Model S3547
Model S3510



**Futura
TurboPOWER 2000
PowerMax**

**Models S3509, S3511, S3519, S3523, S3527
Model S3547
Model S3510**

Ref. No.	Part No.	Description
1	39442034	Cord Wrap - AG
2	21447217	* Screw (7)
3	Note: Motor Cover Assembly's include item 1	
	41426098	Motor Cover Assem. - AAS - S3509
	41426100	Motor Cover Assem. - ABC - S3511
	41426076	+ Motor Cover Assem. - ABB - S3519
	41426115	Motor Cover Assem. - ACA - S3523
	41426116	Motor Cover Assem. - ABB - S3527, S3510
	41426119	Motor Cover Assem. - AG - S3547
4	12227	Insulated Terminal (3)
	27618508	Wire Connector
5	41312040	Motor Retainer Assem. - AAP (incl. Items 6,26,27)
6	34633003	+ Retainer Seal - RH
7	36322031	Motor Mount - BZ
8	36235069	Furniture Guard - AG
9	43576184	Motor Assem. - S3509, S3511, S3510 (7.3 Amps) (P-266)
	43576114	+ Motor Assem. - (P-250)
	43576126	Motor Assem. - S3509, S3511 (7.9 Amps) (P-267) - S3509, S3511, S3519 (7.8 Amps)
	43576186	Motor Assem. Comp. - S3523, S3527, S3547 (P-290)
10	46383273	+ Attachment Cord - AAP
	46383289	Attach. Cord - AG - S3510, S3523, S3527, S3547
11	36215033	+ Strain Relief - ABU
	36215034	Strain Relief - AG - S3547
12	42215051	Main Body Assem. - ABU - S3510, S3523, S3527 (incl. Items 8, 13, 14, 15)
	42215052	Main Body Assem. - AG - S3547 (incl. Items 8, 13, 14, 15)
13	38522065	Wheel - AG (2)
14	37258130	PTO Cover - AAP
	37258134	PTO Cover - ABU - S3523, 27
	37258136	PTO Cover - AG - S3547
15	41432040	Wheel Carrier Assem.
16	36424010	Bag Collar Support - AG
17	4010064S	Throw Away Bag Assem. - 3 Pk.
18	38422162	Switch Pedal - AAP - with Post
	38422164	Switch Pedal - AG - w/o Post (Use with 28218048 Switch)
19	36424012	Bag Collar Seal
20	36151027	Bag Lid Hinge - AG (2)
21	37944005	Filter Retainer - AG
22	38765009	Secondary Filter
23	Note: Bag Lid Assembly's include items 19, 24, 25	
	42217132	Bag Lid Assem. - AAS - S3509
	42217138	Bag Lid Assem. - ABB - S3519
	42217136	Bag Lid Assem. - AG - S3511
	42217155	Bag Lid Assem. - ACA - S3523
	42217156	Bag Lid Assem. - ABB - S3527
	42212135	Bag Lid Assem. - S3547
	42217172	Bag Lid Assem. - ABB - S3510
24	38351009	Torsion Spring - FW
25	36153041	Bag Lid Latch - AAS - S3509
	36153040	Bag Lid Latch - AG - S3510, S3511, S3547
	36153044	Bag Lid Latch - ABB - S3519, S3527
	36153054	Bag Lid Latch - ACA - S3523
26	34633002	Retainer Seal - LH
27	34123040	* Retainer Seal - Center

Ref. No.	Part No.	Description
28	28212026	Switch - with Leads
	28218048	Switch - with Terminals
29	34135014	Switch Mounting Plate
30	38314022	Spring - FW
	38314026	Spring - S3510, S3523, S3527, S3547
	56513332	Owner Manual
	56513339	+ Owner Manual - S3547
	56513348	Owner Manual - S3510
	59814004	+ Carton
	58175100	+ Carton - S3523, S3527
	58175115	Carton - S3547
	58211011	Bottom Support - Front
	58211012	+ Bottom Support - Rear
	58362004	+ Top Support
	58368007	Mid Pad

CLEANING TOOLS - S3509, S3510, S3511, S3519 (P-240)

38617017	Crevice Tool - AG
43414057	Furniture Nozzle - AG
43414064	Dusting Brush Assem. - AG
3863801P	Extension Tube - AG
43434241	Hose - ABX/AG Molded (P-251)
43434242	Hose - AAP/AAZ Molded - w S/C (P-251)
43434260	Hose - AG - S3510 - (P-251)
43414172	R & F Nozzle - STD - S3510 (P-188)
0M114169	R & F Nozzle - STD - S3509, S3511 (P-188)
43414101	+ R & F Nozzle - Dix. - S3519 (P-188)

CLEANING TOOLS - S3523, S3527, S3547 (P-240)

38617017	Crevice Tool - AG
43414057	Furniture Nozzle - AG
43414064	Dusting Brush Assem. - AG
3863801P	Ext. Tube - Poly - AG
43453027	Ext. Tube - S3547 - AX
43434241	Hose - ABX/AG - S3523, S3547 (P-251)
43434242	Hose - ABX/AG - S/C - S3527 (P-251)
0M114169	R & F Nozzle - STD - S3523, S3527 (P-188)
43414170	+ R & F Nozzle - STD - S3547 (P-188)

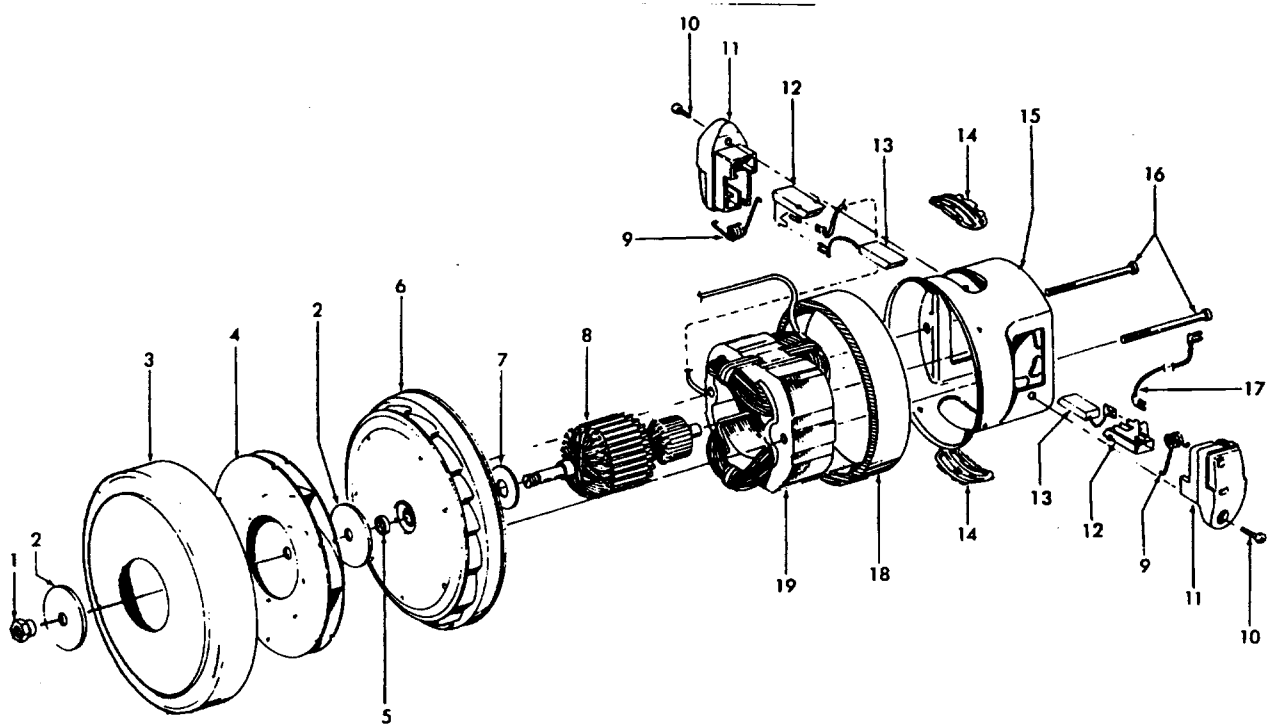
Note: Refer to Data Label on cleaner for reference to Amp Rating

Motor Assembly

**Models S3509, S3511, S3513, S3519
S3525, S3535, S3545**

- S3509 (7.8 Amp)
- S3511 (7.8 Amp)
- S3513 (7.8 Amp)
- S3519 (7.8 Amp)
- S3525 (9.7 Amp)
- S3535 (9.7 Amp)
- S3545 (10.4 Amp)




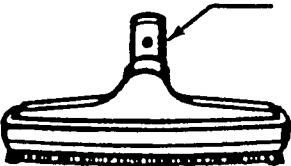



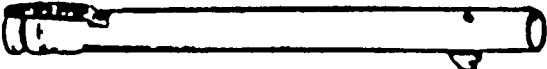
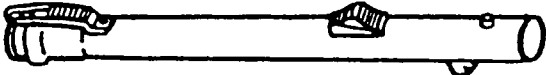
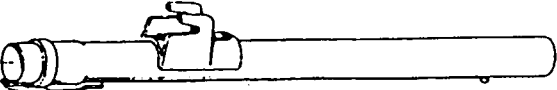
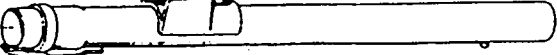

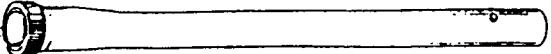
Note: Refer to Data Label on cleaner for reference to Amp rating.



Ref. No.	Part No.	Description
	43576126	Motor Assm. (Molded Diffuser)
	43578071	+ Motor Assm. (Die Cast Diffuser)
1	12028	+ Nut
2	21312774	+ Washer - FW (2)
3	37196065	Fan Cover
4	43551008	Fan
5	31148009	Bearing Spacer (Use w/Die Cast Diffuser)
	31148011	Bearing Spacer (Use w/Molded Diffuser)
6	43551012	+ Diffuser Assm. Comp. (Die Cast)
	43551030	Diffuser Assm. Comp. (Molded)
7	31165003	+ Bearing Retainer Plate (Die Cast Diffuser)
8	44765220	Armature Assm.

Ref. No.	Part No.	Description
9	38353004	Spring (2)
10	21429406	* Screw (2)
11	168038AG	Brush Carrier (2)
12	168506	Brush Holder (2)
13	167679	Motor Brush Assm. (,2)
14	169702BZ	+ Bushing (2)
15	42193025	Motor Housing Assm.
16	36112006	+ Field Lamination Bolt (2) (Die Cast Diffuser)
	21447222	+ Field Lamination Bolt (2) (Phenolic Diffuser)
17	46176001	Lead Wire Assm.
18	36322031	Motor Gasket
19	45311048	Field Assm.

Cleaning Tools - Futura, Spectrum, Dimension, WindTunnel

	38617017 Crevice Tool - AG
	43414057 Furniture Nozzle - AG 43414141 Furniture Nozzle - ABR
	43414064 Dusting Brush - AG
	38644020 Swivel Connector - AG 38644040 Swivel Connector - AAP
	43414073 Floor Brush - AG
	48447001 + Brush Back
	36172584 Cord/Wand Clip
	43453052 Ext. Tube - 20 - AX 43453027 Ext. Tube 43453058 + Ext. Tube - BL 20 w/o Cord Clip
	43453023 Ext. Tube - AX 20
	43453095 Ext. Tube - AX 20 (Black Storage Clip) (Spectrum)
	43453098 Ext. Tube - AX 20 (Gray Storage Clip) (Futura)
	43453099 Ext. Tube - AX 20 (Black Storage Clip) (WindTunnel Canister)
	3863801P Extension Tube - Poly - AG