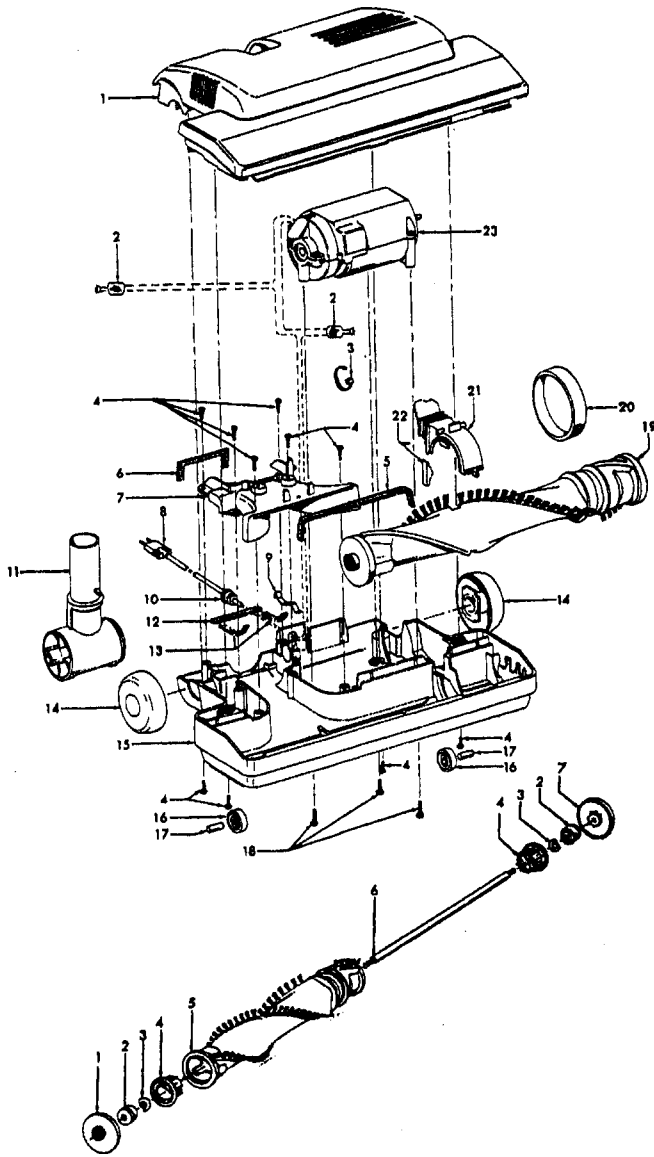


Powernozzle
 48438235 - S3525, S3535
 48438251 - S3399
 48438254 - S3395
 48438235 - S3420, S3520

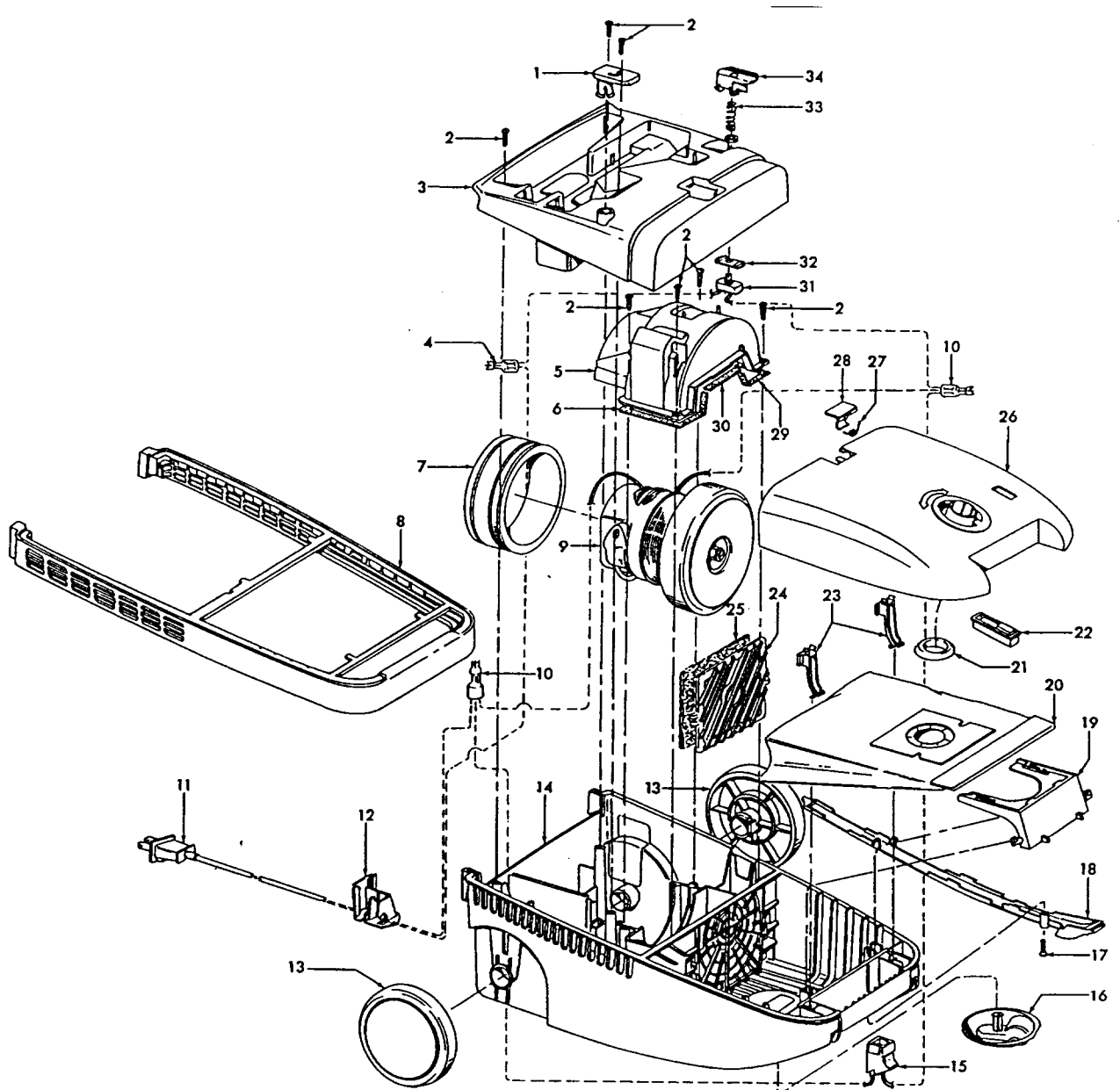
48438076 - S3391
 48438257 - S3559, S3395-040
 48438261 - S3561



Ref. No.	Part No.	Description
1	37241004	Nozzle Body - ABY - S3561
	37241138	Nozzle Body - AAP - S3525, S3535
	37241137	Nozzle Body - AAP - S3399
	37241139	Nozzle Body - AAP - S3395
	37241140	+ Nozzle Body - ABE - S3395-040, S3559
	37241144	Nozzle Body - ABM - S3391
	42252A55	Nozzle Body - AG - S3420, S3520
2	12227	Insulated Terminal
	27618508	* Wire Connector
3	27479307	* Lead Wire Tie
4	21447003	* Screw-Self Tapping (10)
5	34123039	* Duct Cover Seal
6	34253018	+ Rear Seal
7	42256103	Duct Cover Assem. (Incl. Items 5,6)
8	46321088	Cord -AG
9	35276008	Detent Spring
10	163768	Strain Relief
11	43482106	Nozzle Connector - AG
12	34112007	* Seal
13	34122014	* Seal (2)
14	43244043	Wheel Assem.
15	42246115	Base Plate Assem. (Incl. Items 16,17)
	42246114	Base Plate Assem. - ABR - S3395-040, S3391
	42246115	S3559 (Incl. Items 16, 17)
	42246115	Base Plate Assem. - AG - S3420, S3520 (Incl. items 16, 17)
16	32761001	Wheel
17	31522004	Wheel Shaft
18	21479801	* Screw (3)
19	48414079	Agitator Assem.
20	38528011	Belt
21	36923008	Belt Guard Assem.
22	13261AY	Rib Shoe
23	43177062	Motor Assem. Comp.

Agitator 48414079

Ref. No.	Part No.	Description
1	36423016	Thread Guard - RH
2	43267002	Agitator Bearing Assem. (2)
3	21347003	Conical Washer (2)
4	36422022	Agitator End (2)
5	48414051	Agitator Body
6	32724013	+ Agitator Shaft
7	36423017	Thread Guard - LH




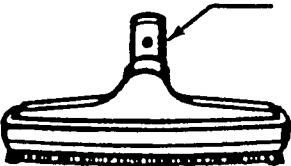



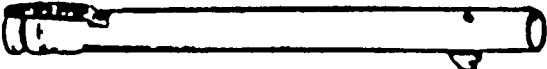
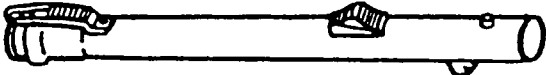
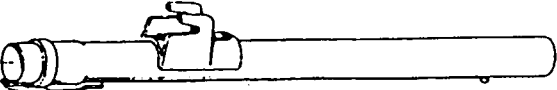
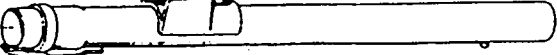

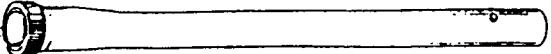


Ref. No.	Part No.	Description
1	39442034	Cord Wrap - AG
2	21447217	* Screw (7)
3	41426093	Motor Cover Assm. - ABC - S3535 (Incl. Item 1)
	41426051	Motor Cover Assm. - AAR - S3545 (Incl. Item 1)
	41426096	Motor Cover Assembly - MY - S3549 (Inc. Item 1)
	41426118	Motor Cover Assem. - MB - S3520 (Inc. Item 1)
4	12227	Insulated Terminal
5	41312040	Motor Retainer Assembly (Inc. items 6, 29, 30)
6	34633003	+ Retainer Seal - RH
7	36322031	Motor Mount - BZ
8	36235069	Furniture Guard - AG
9	43578071	+ Motor Assm. (Incl. Item 7) S3535 - 9.7 Amps (S3545 -10.3 Amps) (P-250)
	43576126	Motor Assm. Incl. Item 7 S3535 -9.9 Amps (S3545 - 10.4 Amps) (P-267)
	43576118	Motor Assm. (incl. Item 7) -S3549 (P-249)
	43576184	Motor Assm. (Inc. Item 7) - S3520 (P-266)
10	18972	Insulated Terminal (2)
11	46383289	Attachment Cord - AG
12	36215033	+ Strain Relief - AG
13	38522065	Wheel - AG (2)
14	42215089	+ Main Body Assm. (Incl. Items 8,15,17,18)
	42215092	Main Body Assm. S3520 - (Inc. Items 8,15,18)
15	46326059	+ Receptacle Assm - AAP
	46326082	Receptacle Assm. - AG
16	41432040	Wheel Carrier Assm. - AG
17	21434288	+ Screw-Self Tapping
18	36218021	Cord Channel Cover - AAP
	36218020	Cord Channel Cover - AG - S3520
19	36424010	Bag Collar Support - AG
20	4010064S	Throw Away Bag Assm. - 3 Pk.
21	36424012	Bag Collar Seal - AG
22	51151010	Bag Indicator
23	36151027	Bag Lid Hinge - AG (2)
24	37944005	Filter Retainer - AG
25	38765009	Secondary Filter

Ref. No.	Part No.	Description
26	42217109	Bag Lid Assm. - ABC - S3535 (incl. Items 21,22,27,28)
	42217110	Bag Lid Assm. - AAR - S3545 (Incl. Items 21,22,27,28)
	42217139	Bag Lid Assm. - MY -S3549 (4.0 PHP) (incl. items 21, 27, 28)
	42217149	Bag Lid Assm. - MY - S3549 (4.8 PHP) (Incl. Items 21,27,28)
	42217173	Bag Lid Assm. - MB - S3520 (Inc. Items 21, 22, 27, 28)
27	38351009	Torsion Spring - FW
28	36153040	Bag Lid Latch - AG - S3520, S3535, S3549
	36153043	+ Bag Lid Latch - AAR - S3545
29	34633002	Retainer Seal - LH
30	34123040	* Retainer Seal - Center
31	28212026	Switch - with Leads
	28218048	Switch - with Terminals
32	34135014	Switch Mounting Plate - AAP
33	38314022	Spring - FW
	38314026	Spring - S3520
34	38422162	Switch Pedal - AAP- with Post
	38422164	Switch Pedal - AG - w/o Post (Use with 28218048 Switch)
	56513340	+ Owner Manual
	56513344	Owner Manual - S3520
	59814005	+ Carton
	58175123	Carton - S3520
	58211011	Bottom Support - Front
	58211012	+ Bottom Support - Rear
	58216013	+ Top Support
CLEANING TOOLS (P-240)		
	38617017	Crevice Tool - AG
	43414057	Furniture Nozzle - AG
	43414064	Dusting Brush Assm. - AG
	43414073	Floor Brush - AAP
	43453052	Ext. Tube - 20 - AX
	43433107	Hose - AG (P-251)
	48438235	Powered Nozzle - AAP-S3520, S3535 (P-252)
	48438230	Powered Nozzle - AAP -S3545, S3549 (P-253)

Note: Refer to Data Label on cleaner for reference to Amp Rating.

Cleaning Tools - Futura, Spectrum, Dimension, WindTunnel

	38617017 Crevice Tool - AG
	43414057 Furniture Nozzle - AG 43414141 Furniture Nozzle - ABR
	43414064 Dusting Brush - AG
	38644020 Swivel Connector - AG 38644040 Swivel Connector - AAP
	43414073 Floor Brush - AG
	48447001 + Brush Back
	36172584 Cord/Wand Clip
	43453052 Ext. Tube - 20 - AX 43453027 Ext. Tube 43453058 + Ext. Tube - BL 20 w/o Cord Clip
	43453023 Ext. Tube - AX 20
	43453095 Ext. Tube - AX 20 (Black Storage Clip) (Spectrum)
	43453098 Ext. Tube - AX 20 (Gray Storage Clip) (Futura)
	43453099 Ext. Tube - AX 20 (Black Storage Clip) (WindTunnel Canister)
	3863801P Extension Tube - Poly - AG