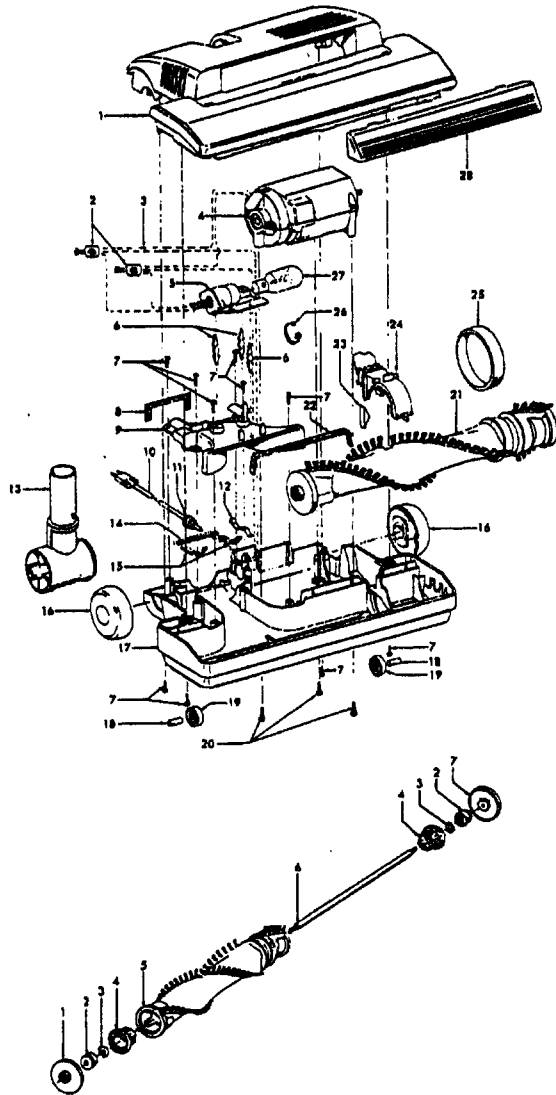


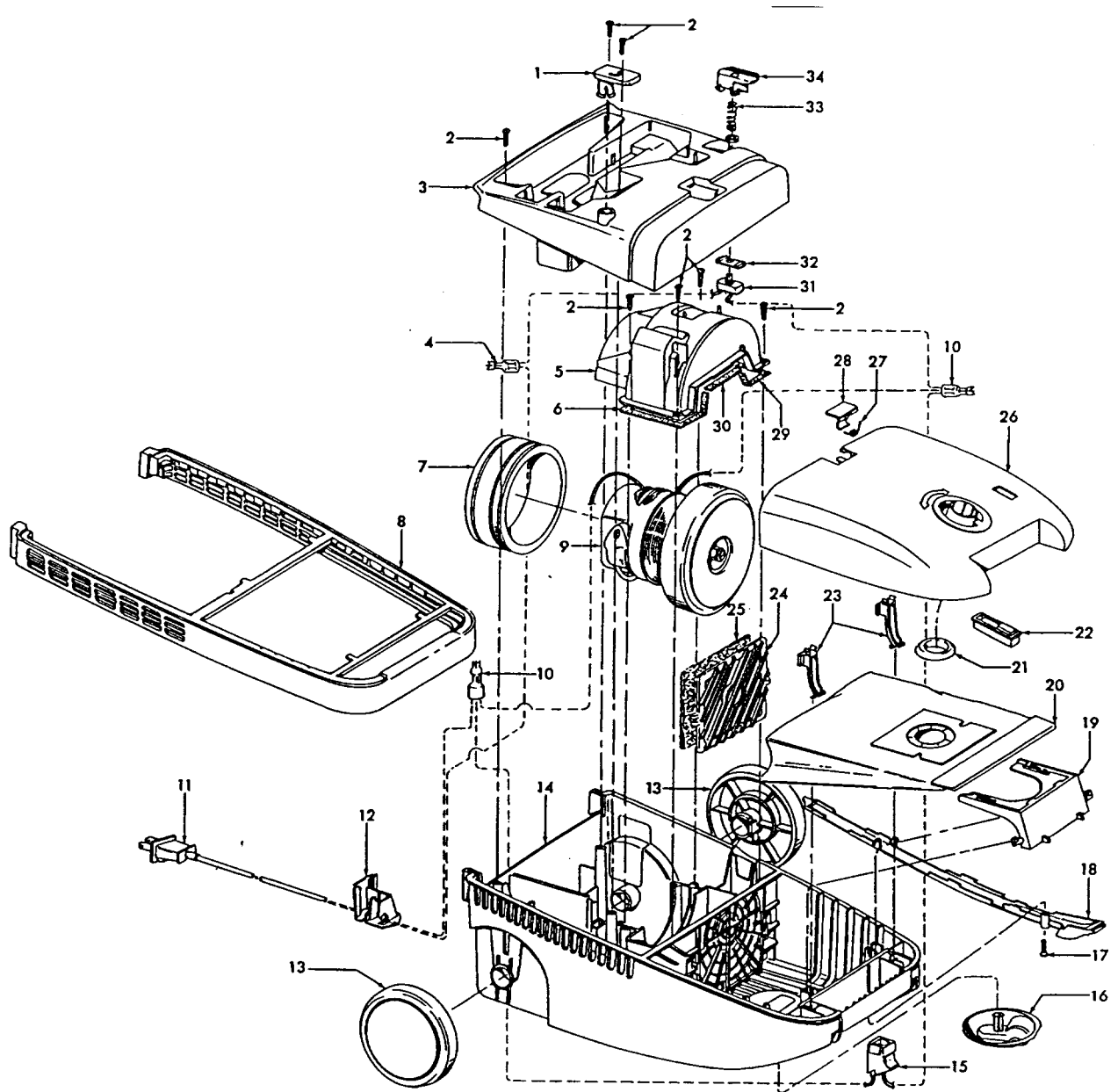
Powernozzle 48438230 AAP - S3545, S3549, S3551, S3553, S3555, S3557, S3565,
48438248 AAP - S3621
48438246 AAP - S3629
48438256 ABE - S3567, S3569, S3571, S3573
48438071 ABE - S3563
48438259 AG - S3577, S3580-050
48438079 ABY - S3530



Ref. No.	Part No.	Description
1		Note: All Nozzle Body Assembly's include Item 28
	42252201	Nozzle Body Assem. - AAP
	42252216	Nozzle Body Assem. - ABE S3563, S3567, S3569, S3571, S3573
	42252A09	Nozzle Body Assem. - AG - S3577, S3580-050
	N/A	Nozzle Body Assem. - ABY - S3530 Use 42252A52
	42252A52	Nozzle Body Assem. AG - S3577 (Allergen Filtration Graphics)
2	18972	Insulated Terminal (2)
	12227	Insulated Terminal (2)
3	N/A	Lead Wire - White
4	43177062	Motor Assem. Comp.
5	47171020	Dirt Finder Socket Assem.
6	36218016	Insulation Grommet - AG (3)
7	21447003	* Screw-Self Tapping (8)
8	34253018	+ Rear Seal
9	42256099	+ Duct Cover Assem. - AG (Incl. Items 5,6,8,22)
10	46321088	Cord Assembly
	46321009	Cord Assembly - S3530
11	163768	Strain Relief Bushing
12	35276008	Detent Spring - FW
13	43482106	Nozzle Connector - AG
14	34112007	* Seal
15	34122014	* Seal (2)
16	43244043	Wheel Assem. - AG
17	42246115	Base Plate Assem. - MV (Incl. Items 18,19)
	42246114	Base Plate Assem. - ABR - S3567, S3569, S3571, S3573, S3563 (Incl. Items 18, 19)
	42246115	Base Plate Assem. - AG - S3530, S3580-050, S3577 (Incl. Items 18, 19)
18	31522004	Wheel Shaft - AY (2)
19	32761001	Wheel - AG (2)
20	21479801	* Screw-Self Tapping (3)
21	48414081	Agitator Assem. Comp. - AG
	48414079	Agitator Assem. Comp. - AG - S3563
22	34123039	* Duct Cover Seal
23	13261AY	Rug Nozzle Rib Shoe
24	36923008	Belt Guard
25	38528011	Belt
26	27479307	* Lead Wire Tie
27	27317307	Dirt Finder Lamp
28	39383094	+ Dirt Finder Lens - BZ

Agitator 48414081/48414079

Ref. No.	Part No.	Description
1	36423016	Thread Guard - RH
2	43267002	Agitator Bearing Assem. (2)
3	21347003	* Conical Washer (2)
4	N/A	+ Agitator End (2)
5	N/A	Agitator Body
6	N/A	+ Agitator Shaft
7	36423017	Thread Guard - LH - AG



Ref. No.	Part No.	Description	Ref. No.	Part No.	Description
1	39442034	Cord Wrap - AG	26	42217109	Bag Lid Assm. - ABC - S3535 (incl. Items 21,22,27,28)
2	21447217	* Screw (7)		42217110	Bag Lid Assm. - AAR - S3545 (Incl. Items 21,22,27,28)
3	41426093	Motor Cover Assm. - ABC - S3535 (Incl. Item 1)		42217139	Bag Lid Assm. - MY -S3549 (4.0 PHP) (incl. items 21, 27, 28)
	41426051	Motor Cover Assm. - AAR - S3545 (Incl. Item 1)		42217149	Bag Lid Assm. - MY - S3549 (4.8 PHP) (Incl. Items 21,27,28)
	41426096	Motor Cover Assembly - MY - S3549 (Inc. Item 1)		42217173	Bag Lid Assm. - MB - S3520 (Inc. Items 21, 22, 27, 28)
	41426118	Motor Cover Assem. - MB - S3520 (Inc. Item 1)	27	38351009	Torsion Spring - FW
4	12227	Insulated Terminal	28	36153040	Bag Lid Latch - AG - S3520, S3535, S3549
5	41312040	Motor Retainer Assembly (Inc. items 6, 29, 30)		36153043	+ Bag Lid Latch - AAR - S3545
6	34633003	+ Retainer Seal - RH	29	34633002	Retainer Seal - LH
7	36322031	Motor Mount - BZ	30	34123040	* Retainer Seal - Center
8	36235069	Furniture Guard - AG	31	28212026	Switch - with Leads
9	43578071	+ Motor Assm. (Incl. Item 7) S3535 - 9.7 Amps (S3545 -10.3 Amps) (P-250)		28218048	Switch - with Terminals
	43576126	Motor Assm. Incl. Item 7 S3535 -9.9 Amps (S3545 - 10.4 Amps) (P-267)	32	34135014	Switch Mounting Plate - AAP
	43576118	Motor Assm. (incl. Item 7) -S3549 (P-249)	33	38314022	Spring - FW
	43576184	Motor Assm. (Inc. Item 7) - S3520 (P-266)	34	38314026	Spring - S3520
10	18972	Insulated Terminal (2)		38422162	Switch Pedal - AAP- with Post
11	46383289	Attachment Cord - AG		38422164	Switch Pedal - AG - w/o Post (Use with 28218048 Switch)
12	36215033	+ Strain Relief - AG		56513340	+ Owner Manual
13	38522065	Wheel - AG (2)		56513344	Owner Manual - S3520
14	42215089	+ Main Body Assm. (Incl. Items 8,15,17,18)		59814005	+ Carton
	42215092	Main Body Assm. S3520 - (Inc. Items 8,15,18)		58175123	Carton - S3520
15	46326059	+ Receptacle Assm - AAP		58211011	Bottom Support - Front
	46326082	Receptacle Assm. - AG		58211012	+ Bottom Support - Rear
16	41432040	Wheel Carrier Assm. - AG		58216013	+ Top Support
17	21434288	+ Screw-Self Tapping	CLEANING TOOLS (P-240)		
18	36218021	Cord Channel Cover - AAP		38617017	Crevice Tool - AG
	36218020	Cord Channel Cover - AG - S3520		43414057	Furniture Nozzle - AG
19	36424010	Bag Collar Support - AG		43414064	Dusting Brush Assm. - AG
20	4010064S	Throw Away Bag Assm. - 3 Pk.		43414073	Floor Brush - AAP
21	36424012	Bag Collar Seal - AG		43453052	Ext. Tube - 20 - AX
22	51151010	Bag Indicator		43433107	Hose - AG (P-251)
23	36151027	Bag Lid Hinge - AG (2)		48438235	Powered Nozzle - AAP-S3520, S3535 (P-252)
24	37944005	Filter Retainer - AG		48438230	Powered Nozzle - AAP -S3545, S3549 (P-253)
25	38765009	Secondary Filter			

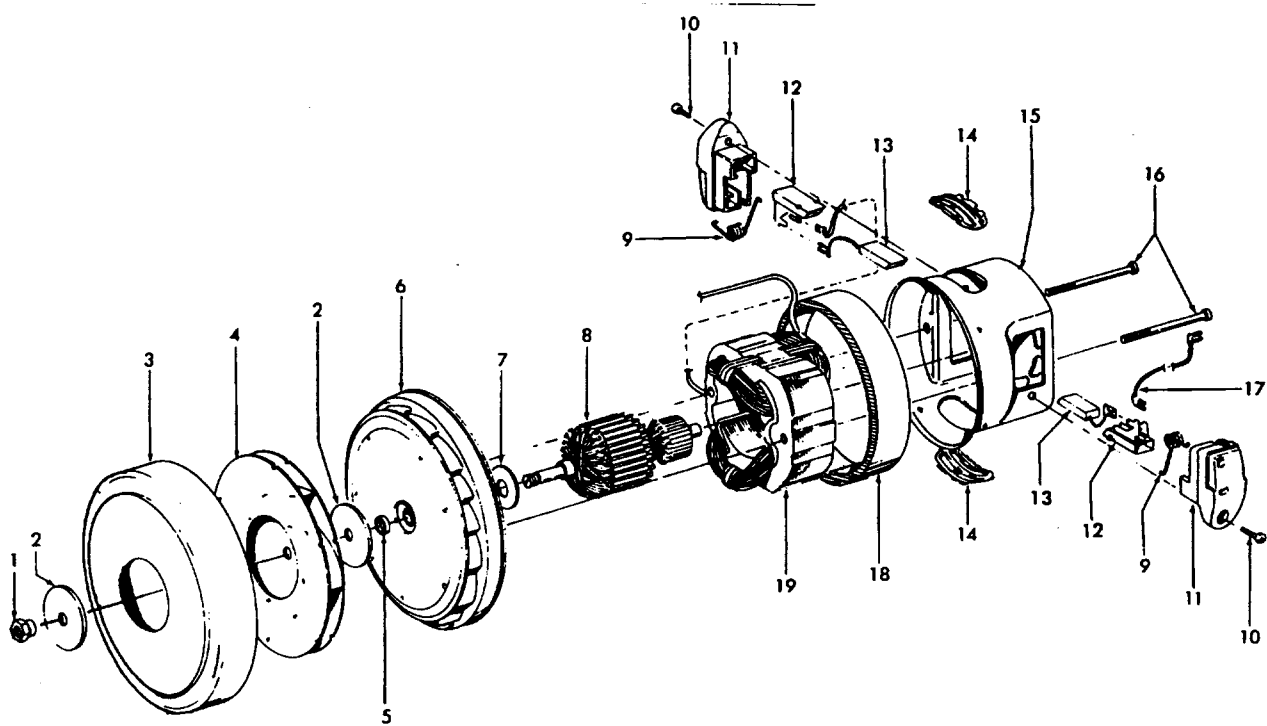
Note: Refer to Data Label on cleaner for reference to Amp Rating.

Motor Assembly

**Models S3509, S3511, S3513, S3519
S3525, S3535, S3545**

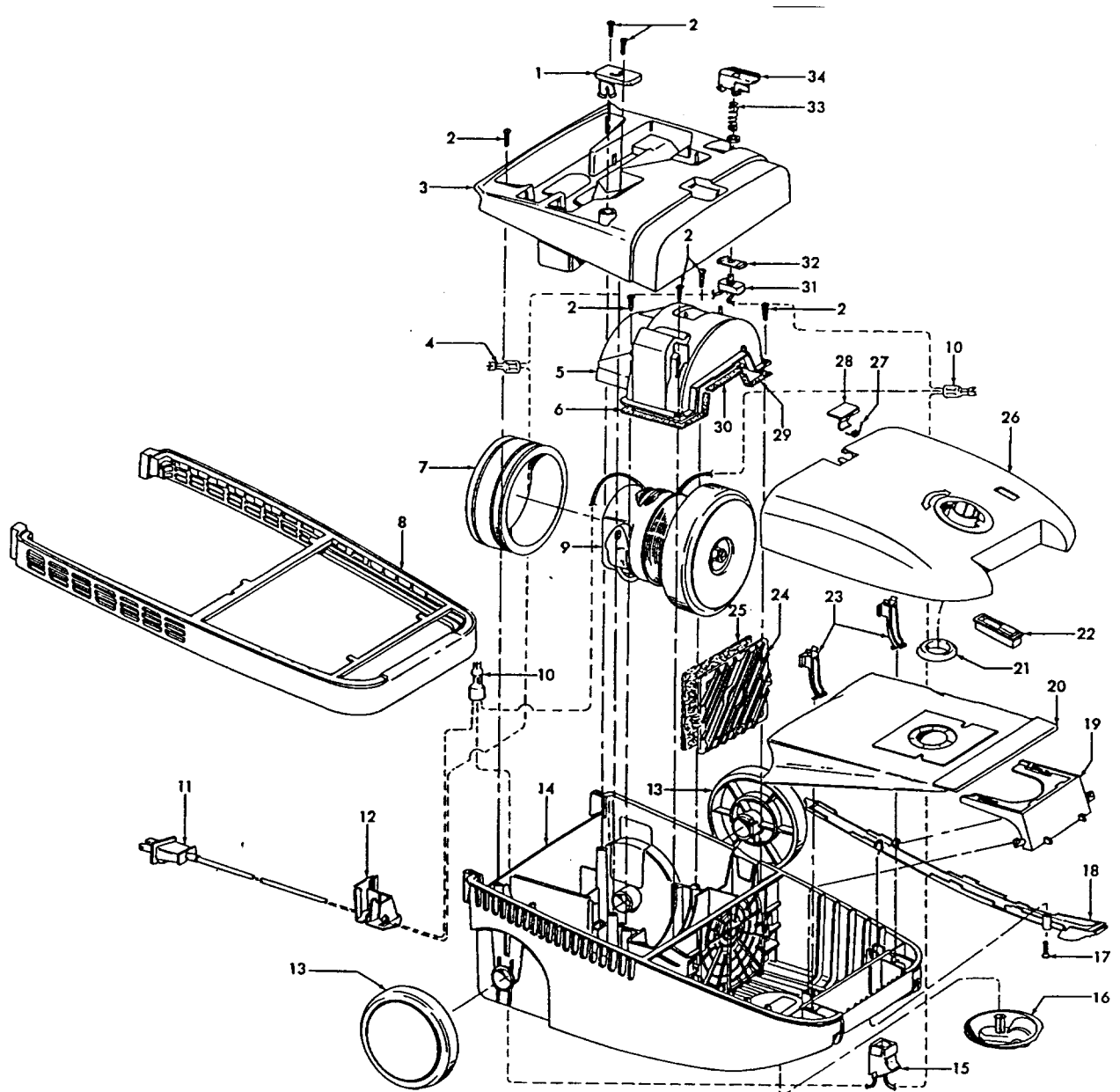
- S3509 (7.8 Amp)
- S3511 (7.8 Amp)
- S3513 (7.8 Amp)
- S3519 (7.8 Amp)
- S3525 (9.7 Amp)
- S3535 (9.7 Amp)
- S3545 (10.4 Amp)

Note: Refer to Data Label on cleaner for reference to Amp rating.



Ref. No.	Part No.	Description
	43576126	Motor Assm. (Molded Diffuser)
	43578071	+ Motor Assm. (Die Cast Diffuser)
1	12028	+ Nut
2	21312774	+ Washer - FW (2)
3	37196065	Fan Cover
4	43551008	Fan
5	31148009	Bearing Spacer (Use w/Die Cast Diffuser)
	31148011	Bearing Spacer (Use w/Molded Diffuser)
6	43551012	+ Diffuser Assm. Comp. (Die Cast)
	43551030	Diffuser Assm. Comp. (Molded)
7	31165003	+ Bearing Retainer Plate (Die Cast Diffuser)
8	44765220	Armature Assm.

Ref. No.	Part No.	Description
9	38353004	Spring (2)
10	21429406	* Screw (2)
11	168038AG	Brush Carrier (2)
12	168506	Brush Holder (2)
13	167679	Motor Brush Assm. (,2)
14	169702BZ	+ Bushing (2)
15	42193025	Motor Housing Assm.
16	36112006	+ Field Lamination Bolt (2) (Die Cast Diffuser)
	21447222	+ Field Lamination Bolt (2) (Phenolic Diffuser)
17	46176001	Lead Wire Assm.
18	36322031	Motor Gasket
19	45311048	Field Assm.

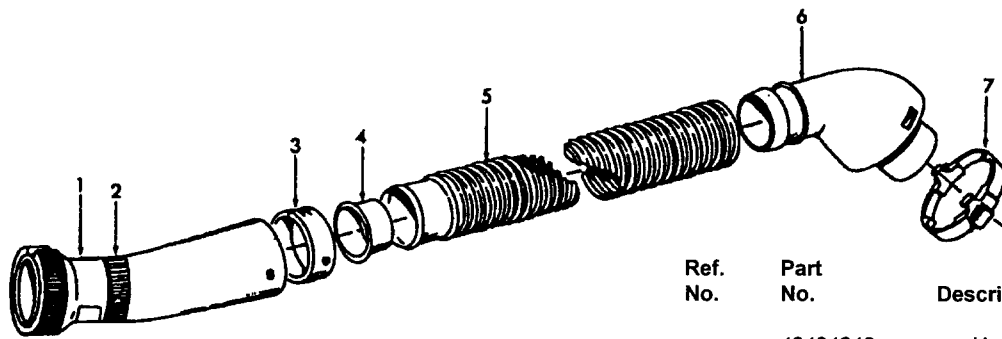


Ref. No.	Part No.	Description	Ref. No.	Part No.	Description
1	39442034	Cord Wrap - AG	26	42217109	Bag Lid Assm. - ABC - S3535 (incl. Items 21,22,27,28)
2	21447217	* Screw (7)		42217110	Bag Lid Assm. - AAR - S3545 (Incl. Items 21,22,27,28)
3	41426093	Motor Cover Assm. - ABC - S3535 (Incl. Item 1)		42217139	Bag Lid Assm. - MY -S3549 (4.0 PHP) (incl. items 21, 27, 28)
	41426051	Motor Cover Assm. - AAR - S3545 (Incl. Item 1)		42217149	Bag Lid Assm. - MY - S3549 (4.8 PHP) (Incl. Items 21,27,28)
	41426096	Motor Cover Assembly - MY - S3549 (Inc. Item 1)		42217173	Bag Lid Assm. - MB - S3520 (Inc. Items 21, 22, 27, 28)
	41426118	Motor Cover Assem. - MB - S3520 (Inc. Item 1)	27	38351009	Torsion Spring - FW
4	12227	Insulated Terminal	28	36153040	Bag Lid Latch - AG - S3520, S3535, S3549
5	41312040	Motor Retainer Assembly (Inc. items 6, 29, 30)		36153043	+ Bag Lid Latch - AAR - S3545
6	34633003	+ Retainer Seal - RH	29	34633002	Retainer Seal - LH
7	36322031	Motor Mount - BZ	30	34123040	* Retainer Seal - Center
8	36235069	Furniture Guard - AG	31	28212026	Switch - with Leads
9	43578071	+ Motor Assm. (Incl. Item 7) S3535 - 9.7 Amps (S3545 -10.3 Amps) (P-250)		28218048	Switch - with Terminals
	43576126	Motor Assm. Incl. Item 7 S3535 -9.9 Amps (S3545 - 10.4 Amps) (P-267)	32	34135014	Switch Mounting Plate - AAP
	43576118	Motor Assm. (incl. Item 7) -S3549 (P-249)	33	38314022	Spring - FW
	43576184	Motor Assm. (Inc. Item 7) - S3520 (P-266)	34	38314026	Spring - S3520
10	18972	Insulated Terminal (2)		38422162	Switch Pedal - AAP- with Post
11	46383289	Attachment Cord - AG		38422164	Switch Pedal - AG - w/o Post (Use with 28218048 Switch)
12	36215033	+ Strain Relief - AG		56513340	+ Owner Manual
13	38522065	Wheel - AG (2)		56513344	Owner Manual - S3520
14	42215089	+ Main Body Assm. (Incl. Items 8,15,17,18)		59814005	+ Carton
	42215092	Main Body Assm. S3520 - (Inc. Items 8,15,18)		58175123	Carton - S3520
15	46326059	+ Receptacle Assm - AAP		58211011	Bottom Support - Front
	46326082	Receptacle Assm. - AG		58211012	+ Bottom Support - Rear
16	41432040	Wheel Carrier Assm. - AG		58216013	+ Top Support
17	21434288	+ Screw-Self Tapping	CLEANING TOOLS (P-240)		
18	36218021	Cord Channel Cover - AAP		38617017	Crevice Tool - AG
	36218020	Cord Channel Cover - AG - S3520		43414057	Furniture Nozzle - AG
19	36424010	Bag Collar Support - AG		43414064	Dusting Brush Assm. - AG
20	4010064S	Throw Away Bag Assm. - 3 Pk.		43414073	Floor Brush - AAP
21	36424012	Bag Collar Seal - AG		43453052	Ext. Tube - 20 - AX
22	51151010	Bag Indicator		43433107	Hose - AG (P-251)
23	36151027	Bag Lid Hinge - AG (2)		48438235	Powered Nozzle - AAP-S3520, S3535 (P-252)
24	37944005	Filter Retainer - AG		48438230	Powered Nozzle - AAP -S3545, S3549 (P-253)
25	38765009	Secondary Filter			

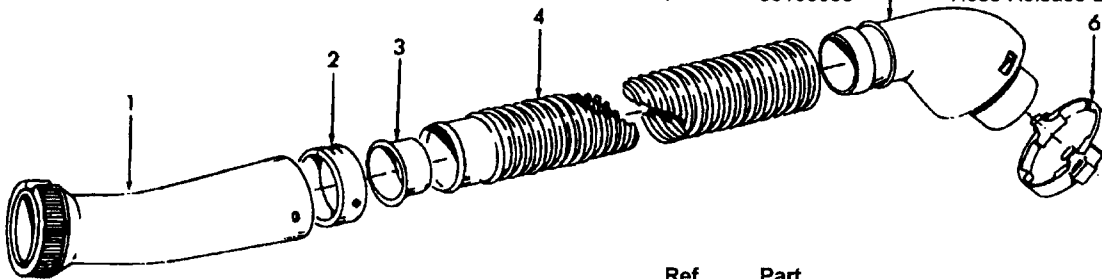
Note: Refer to Data Label on cleaner for reference to Amp Rating.

Hose Assemblies

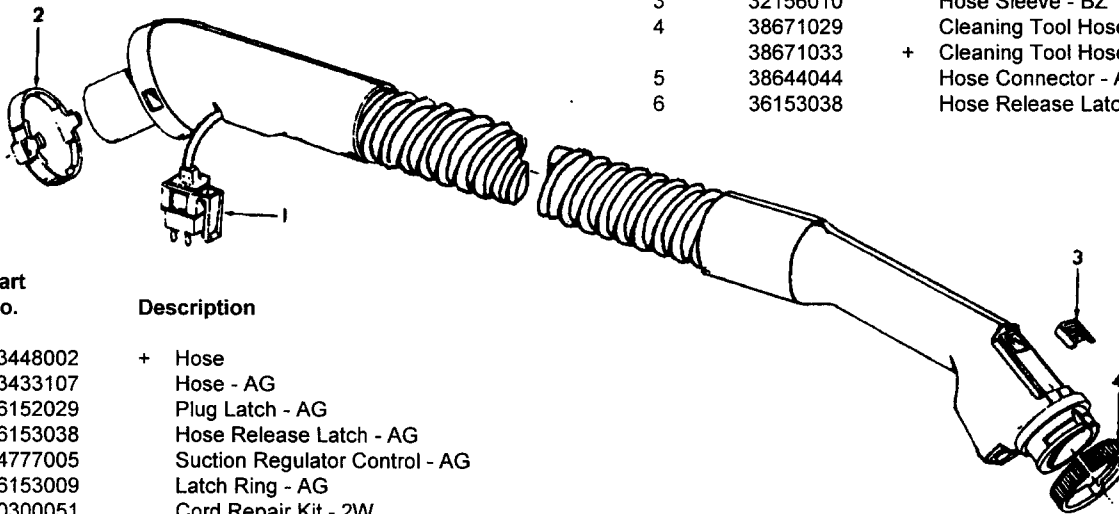
Futura/TurboPOWER/PowerMax



Ref. No.	Part No.	Description
	43434242	Hose Assem. Comp. - ABX/AG - S/C S3513, S3515, S3517, S3527
	43434260	Hose Assem. Comp. - AG - S3510
1	43466044	Hose Grip Assem. - AAP
	43466068	Hose Grip Assem. - AG - S3527
	43466072	Hose Grip Assem. - AG - S3510
2	38711006	Suction Control Ring - MV
	38711012	Suction Control Ring - ABN - S3527
	38711014	Suction Control Ring - AG - S3510
3	36171025	Hose Connector Collar
4	32156010	Hose Sleeve - BZ
5	38671029	Cleaning Tool Hose - AAZ
	38671033	+ Cleaning Tool Hose - ABX - S3527
	38671034	Cleaning Tool Hose - AG - S3510
6	38644044	Hose Connector - AG
7	36153038	Hose Release Latch - AG




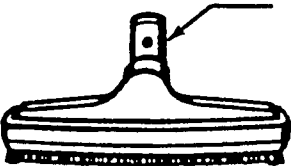
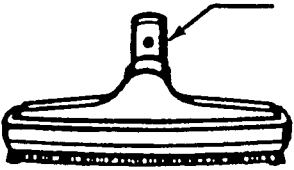
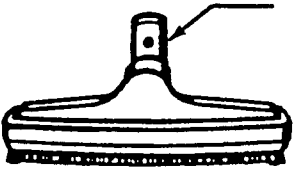
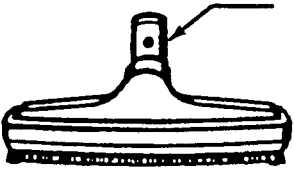
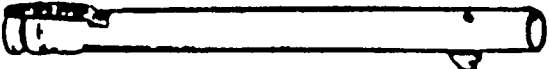
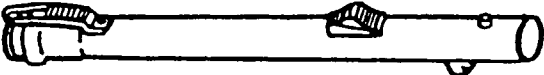
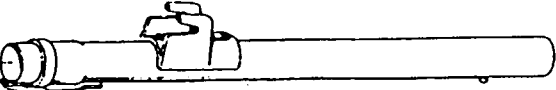
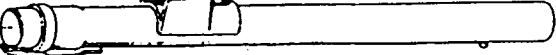

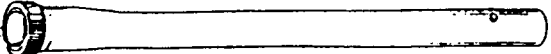


Ref. No.	Part No.	Description
	43434241	Hose Assem. Comp.
1	43466054	+ Hose Grip Assem. - AAP
	43466066	Hose Grip Assem. - AG - S3523
2	36171025	Hose Connector Collar
3	32156010	Hose Sleeve - BZ
4	38671029	Cleaning Tool Hose - AAZ
	38671033	+ Cleaning Tool Hose - ABX - S3523
5	38644044	Hose Connector - AG
6	36153038	Hose Release Latch - AG



Ref. No.	Part No.	Description
	43448002	+ Hose
	43433107	Hose - AG
1	36152029	Plug Latch - AG
2	36153038	Hose Release Latch - AG
3	34777005	Suction Regulator Control - AG
4	36153009	Latch Ring - AG
	40300051	Cord Repair Kit - 2W

Cleaning Tools - Futura, Spectrum, Dimension, WindTunnel

	38617017 Crevice Tool - AG
	43414057 Furniture Nozzle - AG 43414141 Furniture Nozzle - ABR
	43414064 Dusting Brush - AG
	38644020 Swivel Connector - AG 38644040 Swivel Connector - AAP
	43414073 Floor Brush - AG
	48447001 + Brush Back
	36172584 Cord/Wand Clip
	43453052 Ext. Tube - 20 - AX 43453027 Ext. Tube 43453058 + Ext. Tube - BL 20 w/o Cord Clip
	43453023 Ext. Tube - AX 20
	43453095 Ext. Tube - AX 20 (Black Storage Clip) (Spectrum)
	43453098 Ext. Tube - AX 20 (Gray Storage Clip) (Futura)
	43453099 Ext. Tube - AX 20 (Black Storage Clip) (WindTunnel Canister)
	3863801P Extension Tube - Poly - AG