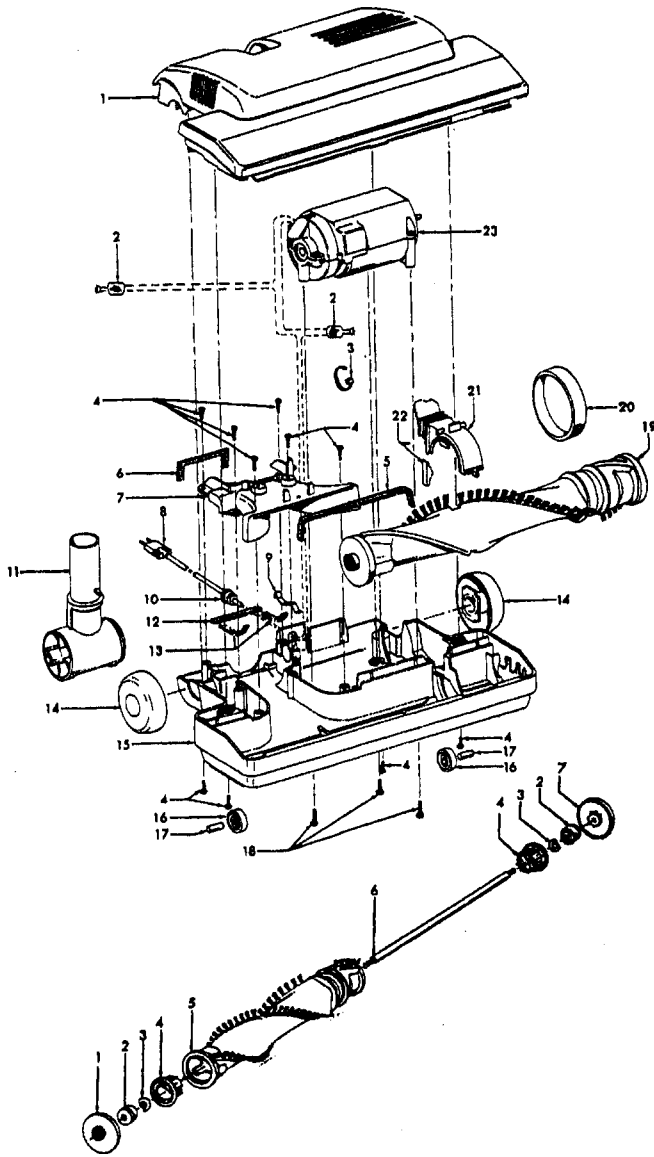


Powernozzle
 48438235 - S3525, S3535
 48438251 - S3399
 48438254 - S3395
 48438235 - S3420, S3520

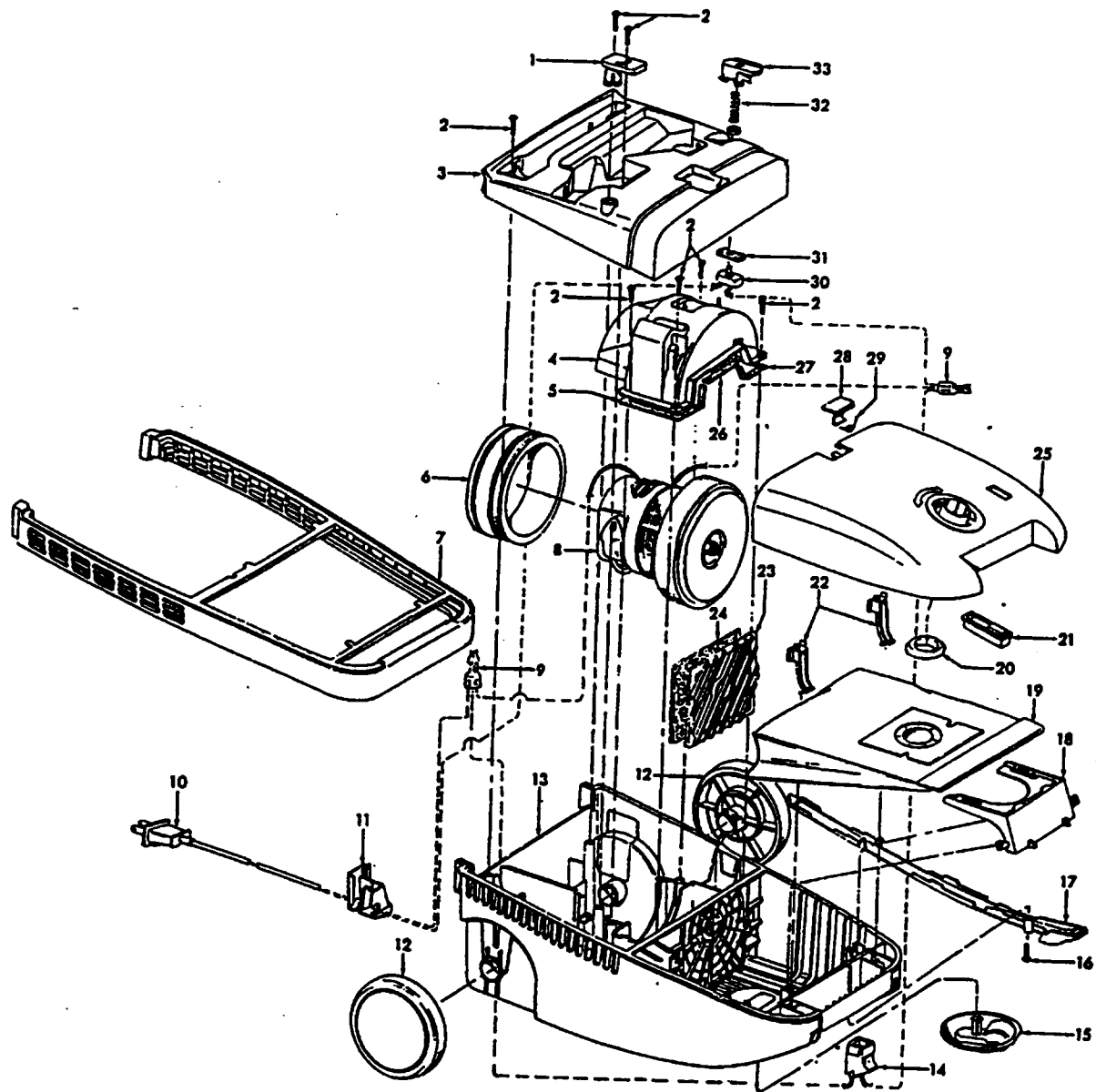
48438076 - S3391
 48438257 - S3559, S3395-040
 48438261 - S3561



Ref. No.	Part No.	Description
1	37241004	Nozzle Body - ABY - S3561
	37241138	Nozzle Body - AAP - S3525, S3535
	37241137	Nozzle Body - AAP - S3399
	37241139	Nozzle Body - AAP - S3395
	37241140	+ Nozzle Body - ABE - S3395-040, S3559
	37241144	Nozzle Body - ABM - S3391
	42252A55	Nozzle Body - AG - S3420, S3520
2	12227	Insulated Terminal
	27618508	* Wire Connector
3	27479307	* Lead Wire Tie
4	21447003	* Screw-Self Tapping (10)
5	34123039	* Duct Cover Seal
6	34253018	+ Rear Seal
7	42256103	Duct Cover Assem. (Incl. Items 5,6)
8	46321088	Cord -AG
9	35276008	Detent Spring
10	163768	Strain Relief
11	43482106	Nozzle Connector - AG
12	34112007	* Seal
13	34122014	* Seal (2)
14	43244043	Wheel Assem.
15	42246115	Base Plate Assem. (Incl. Items 16,17)
	42246114	Base Plate Assem. - ABR - S3395-040, S3391
	42246115	S3559 (Incl. Items 16, 17)
	42246115	Base Plate Assem. - AG - S3420, S3520 (Incl. items 16, 17)
16	32761001	Wheel
17	31522004	Wheel Shaft
18	21479801	* Screw (3)
19	48414079	Agitator Assem.
20	38528011	Belt
21	36923008	Belt Guard Assem.
22	13261AY	Rib Shoe
23	43177062	Motor Assem. Comp.

Agitator 48414079

Ref. No.	Part No.	Description
1	36423016	Thread Guard - RH
2	43267002	Agitator Bearing Assem. (2)
3	21347003	Conical Washer (2)
4	36422022	Agitator End (2)
5	48414051	Agitator Body
6	32724013	+ Agitator Shaft
7	36423017	Thread Guard - LH



Futura

Ref. No.	Part No.	Description
1	39442034	Cord Wrap - AG
2	21447217	* Screw (7)
3	41426053	Motor Cover Assem. - ABY - S3561 (Incl. It. 1)
	41426098	Motor Cover Assem. - AAS - S3525, S3553 (Incl. Item 1)
	41426116	Motor Cover Assem. - ABD - S3559
	41426128	Motor Cover Assem. - MB - S3563
4	41312040	Motor Retainer - AAP (Incl. It. 5,26,27)
5	34633003	+ Retainer Seal - RH
6	36322031	Motor Mount - BZ
7	36235069	Furniture Guard - AG
8	43576184	Motor Assem. (Incl. Item 6) (9.1 Amps) (P-266) S3525
	43576114	+ Motor Assem. - (P-250)
	43576118	Motor Assem. - S3553 (incl. It 6) (P-249)
	43576126	Motor Assem. - S3525 (Incl. Item 6) (9.9 Amps) (P-267) - S3525 (Incl. Item 6) (9.7 Amps)
	43576186	Motor Assem. - S3559, S3563, S3561 (Incl. Item 6) (P-290)
9	18972	Insulated Terminal (2)
10	N/A	Attachment Cord Assem. - AAP
	46383289	Attachment Cord Assem. - AG S3559, S3563, S3561
11	36215033	+ Strain Relief - AG
12	38522065	Wheel - AG (2)
13	42215089	+ Main Body Assem. - AAP (incl. It 7,14,17)
	42215084	Main Body Assem. - ABU - S3559, S3561, S3563 (incl. It. 7, 14, 17)
14	46326059	+ Receptacle Assem. - AAP
	46326082	Receptacle Assem. - AG - S3559, S3563, S3561
15	41432040	Wheel Carrier Assem. - AG
16	21447223	+* Screw-Self Tapping
17	36218021	Cord Channel Cover - AAP
	36218020	Cord Channel Cover - AG - S3559, S3563, S3561
18	36424010	Bag Collar Support - AAP
19	4010064S	Throw Away Bag Assem. - 3 Pk.
20	36424012	Bag Collar Seal - AG
21	51151010	Bag Indicator
22	36151027	Bag Lid Hinge - AAT (2)
23	37944005	Filter Retainer - AG
24	38765009	Secondary Filter
25	42217108	Bag Lid Assem. - AAS - S3525 (Incl. Items 20,21,28,29)
	42217065	Bag Lid Assem. Comp. - AAY - S3553 (4.0 PHP) (Incl. Items 20,21,28,29)
	42217145	+ Bag Lid Assem. Comp. - AAY - S3553 (4.8 PHP) (incl. Items 20,21,28,29)
	42217151	Bag Lid Assem. - ABB - S3559 (Incl. It 20, 21, 28, 29)
	42217163	Bag Lid Assem. ABB - S3559 (Incl. It 20, 21, 28, 29) (Allergen Filtration Graphics)
	42217157	Bag Lid Assem. - MB - S3563 (incl. It. 20, 28, 29)

Models S3525, S3553, S3559, S3561, S3563

Ref. No.	Part No.	Description
	42217165	Bag Lid Assem. MB - S3563 (incl. It. 20, 28, 29) (Allergen Filtration Graphics)
	42217162	Bag Lid Assem. - ABY - S3561 (incl. It. 20, 28, 29)
	42217164	Bag Lid Assem. ABY - S3561 (incl. It. 20, 28, 29) (Allergen Filtration Graphics)
26	34123040	* Retainer Seal - Center
27	34633002	Retainer Seal - LH
28	36153041	Bag Lid Latch - AAS - S3525
	36153040	Bag Lid Latch - AG - S3553, S3563
	36153044	Bag Lid Latch - ABB - S3559
	36153058	Bag Lid Latch - ABY - S3561
29	38351009	Torsion Spring - FW
30	28212026	Switch Assem. - with Leads
	28218048	Switch - with Terminal
31	34135014	Switch Mounting Plate
32	38314022	Spring - FW
	38314026	Spring - S3559, S3563, S3561
33	38422162	Switch Pedal - AAP - with Post
	38422164	Switch Pedal - AG - w/o Post (Use with 28218048 Switch)

ITEMS NOT ILLUSTRATED

56513330	Owner Manual
56513344	Owner Manual - S3559, S3561
59814005	+ Carton
58175099	+ Carton - S3559, S3563, S3561
58211011	Bottom Support - Front
58211012	+ Bottom Support - Rear
58216013	+ Top Support

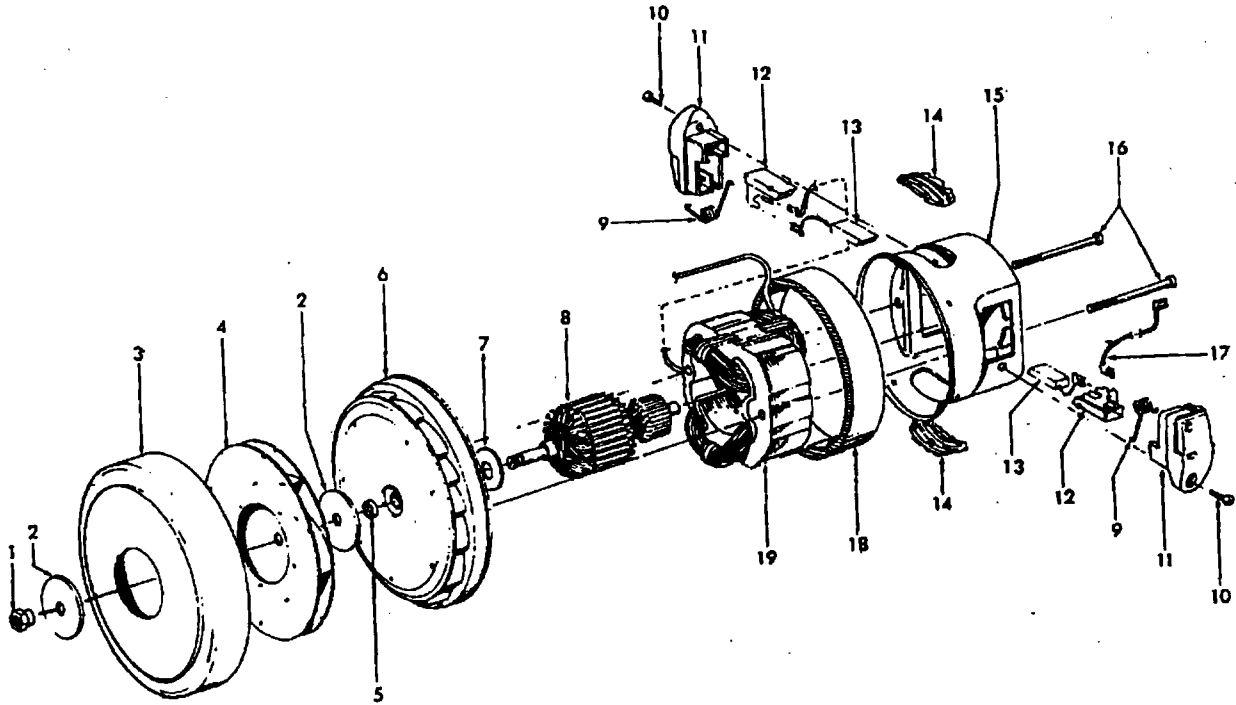
CLEANING TOOLS (P-240)

38617017	Crevice Tool - AG
43414057	Furniture Nozzle - AG
43414064	Dusting Brush Assem. - AG
36171005	Cord Clip - AG - S3563, S3561
36172584	Cord/Wand Clip
3863801P	Extension Tube - Poly - AG - S3559
43453052	Ext. Tube - 20 - AX - S3525, S3553, S3563, S3561
43453098	Ext. Tube - AX - S3525, S3553
43433107	Hose - (P. 251)
48438071	Powered Nozzle - ABE (P.253) S3563
48438230	Powered Nozzle - AAP (P.253) S3553
48438235	Powered Nozzle - AAP (P.252) S3525
48438257	Powered Nozzle - ABE (P.252) S3559
48438261	Powered Nozzle - ABY (P.252) S3561

Note: Models S3561 and S3563 do not have Bag Indicator or switch mounting plate.

Note: Refer to Data Label on cleaner for reference to Amp Rating.

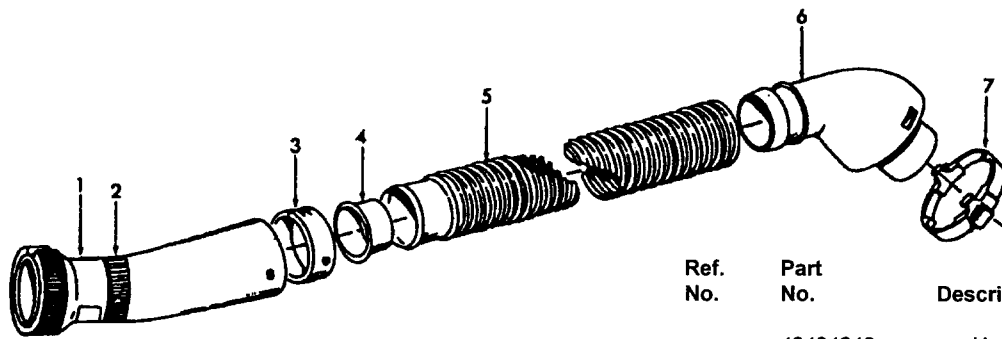
Motor Assembly



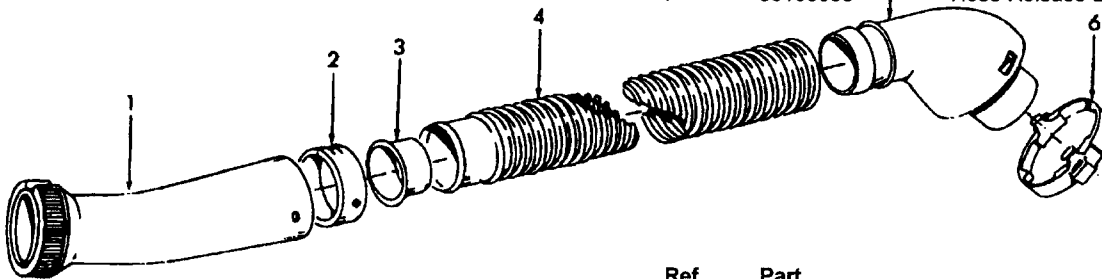
Ref. No.	Part No.	Description	Ref. No.	Part No.	Description
1	43576161	+ Motor Assem.	9	38353004	Spring (2)
2	12028	+ Nut	10	21429406	+ Screw (2)
3	21312774	+ Washer - FW (2)	11	168038AG	Brush Carrier (2)
4	37196065	Fan Cover	12	168506	Brush Holder (2)
5	43551008	Fan	13	167679	Motor Brush Assem. (2)
6	31148011	Bearing Spacer	14	169702BZ	+ Bushing (2)
7	43551030	Diffuser Assem. Comp.	15	42193025	Motor Housing Assem.
8	N/A	Armature Assem.	16	21447222	+ Field Lamination Bolt (2)
			17	46176001	Lead Wire Assem.
			18	36322031	Motor Gasket
			19	45311048	Field Assem.

Hose Assemblies

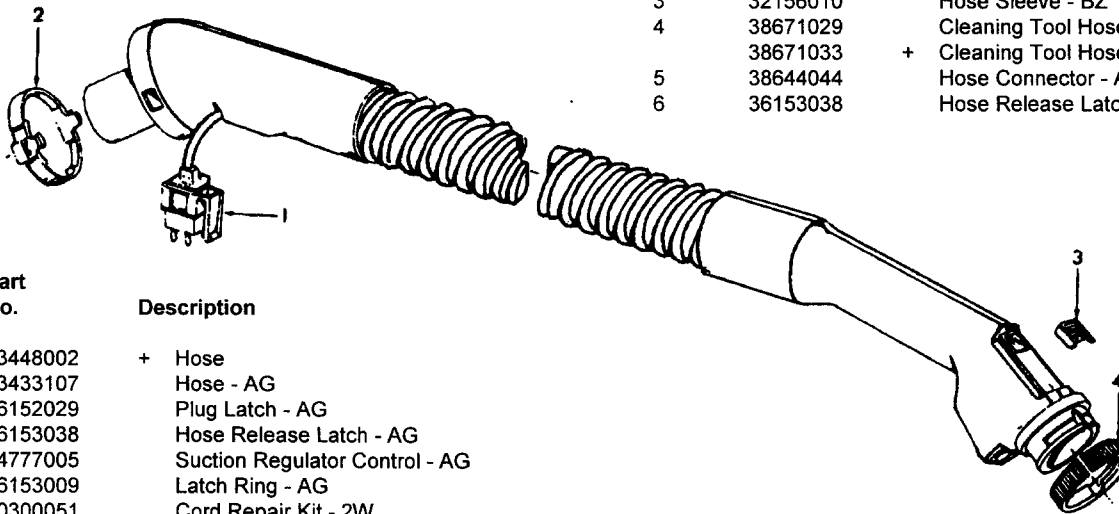
Futura/TurboPOWER/PowerMax



Ref. No.	Part No.	Description
	43434242	Hose Assem. Comp. - ABX/AG - S/C S3513, S3515, S3517, S3527
	43434260	Hose Assem. Comp. - AG - S3510
1	43466044	Hose Grip Assem. - AAP
	43466068	Hose Grip Assem. - AG - S3527
	43466072	Hose Grip Assem. - AG - S3510
2	38711006	Suction Control Ring - MV
	38711012	Suction Control Ring - ABN - S3527
	38711014	Suction Control Ring - AG - S3510
3	36171025	Hose Connector Collar
4	32156010	Hose Sleeve - BZ
5	38671029	Cleaning Tool Hose - AAZ
	38671033	+ Cleaning Tool Hose - ABX - S3527
	38671034	Cleaning Tool Hose - AG - S3510
6	38644044	Hose Connector - AG
7	36153038	Hose Release Latch - AG




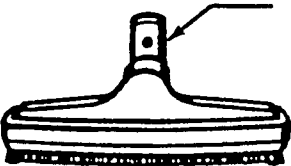



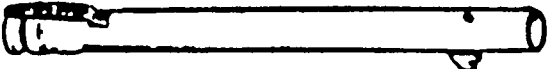
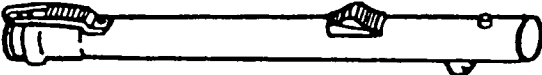
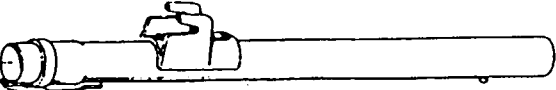
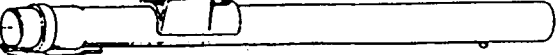

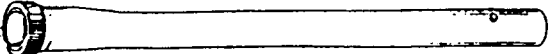


Ref. No.	Part No.	Description
	43434241	Hose Assem. Comp.
1	43466054	+ Hose Grip Assem. - AAP
	43466066	Hose Grip Assem. - AG - S3523
2	36171025	Hose Connector Collar
3	32156010	Hose Sleeve - BZ
4	38671029	Cleaning Tool Hose - AAZ
	38671033	+ Cleaning Tool Hose - ABX - S3523
5	38644044	Hose Connector - AG
6	36153038	Hose Release Latch - AG



Ref. No.	Part No.	Description
	43448002	+ Hose
	43433107	Hose - AG
1	36152029	Plug Latch - AG
2	36153038	Hose Release Latch - AG
3	34777005	Suction Regulator Control - AG
4	36153009	Latch Ring - AG
	40300051	Cord Repair Kit - 2W

Cleaning Tools - Futura, Spectrum, Dimension, WindTunnel

	38617017 Crevice Tool - AG
	43414057 Furniture Nozzle - AG 43414141 Furniture Nozzle - ABR
	43414064 Dusting Brush - AG
	38644020 Swivel Connector - AG 38644040 Swivel Connector - AAP
	43414073 Floor Brush - AG
	48447001 + Brush Back
	36172584 Cord/Wand Clip
	43453052 Ext. Tube - 20 - AX 43453027 Ext. Tube 43453058 + Ext. Tube - BL 20 w/o Cord Clip
	43453023 Ext. Tube - AX 20
	43453095 Ext. Tube - AX 20 (Black Storage Clip) (Spectrum)
	43453098 Ext. Tube - AX 20 (Gray Storage Clip) (Futura)
	43453099 Ext. Tube - AX 20 (Black Storage Clip) (WindTunnel Canister)
	3863801P Extension Tube - Poly - AG