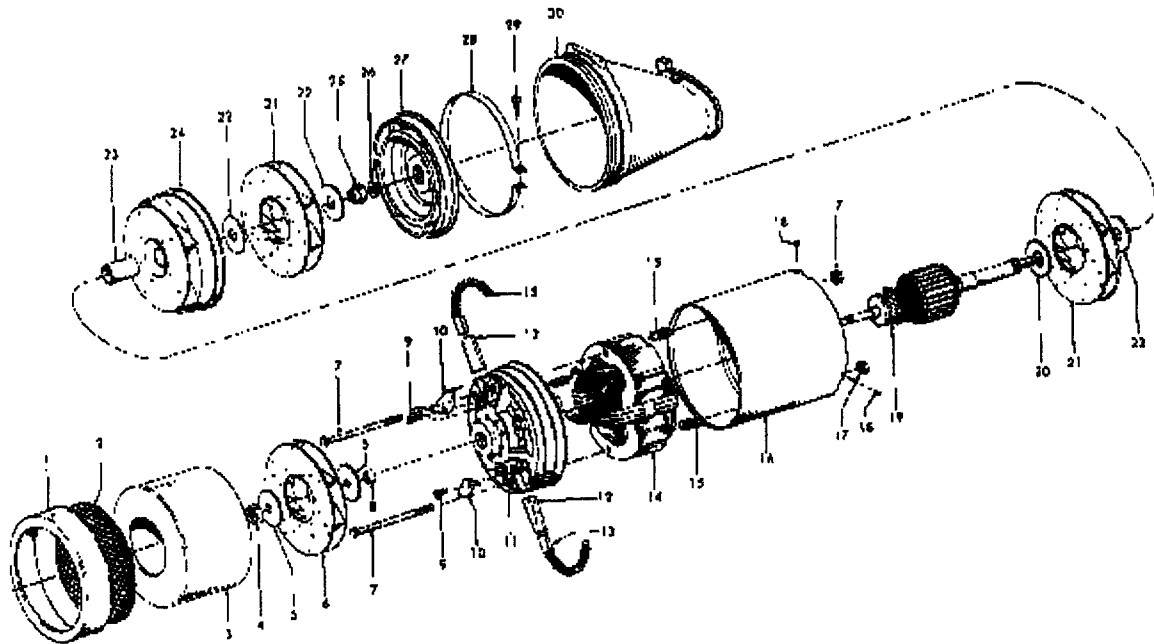


Ref. No.	Part No.	Description
1	36433003	Tool Rack - LB (Later models only)
2	12227	Insulated Terminal
3		Speed Nut
4	27482301	Strain Relief Bushing
5		Wire Shield
7	N/A	Hinge Leaf
8	N/A	Lock Ring
9		Upper Shelf
10	166735EF	+ Screw
11	36233002	Furniture Guard
12	17001	Screw
13	27482301	Strain Relief
14	N/A	Pig Tail Cord
15	12227	Insulated Terminal
16	27479307	Wire Tie
17	21851003	+ Nut
18	N/A	Hinge Leaf - Lower
19	36921008	Rest Pad - JJ
	36921009	Rest Pad - JR
20	34723001	Clip
21	21447014	Screw
22	27482301	Wire Tie
23	46383238	Cord - AAP
	46383197	Cord - JM
	46363018	Cord - JM
24		Intermediate Shell
25	43177017	Motor - S3189001, S3191 001
	43577101	Motor - S3173001
	43177008	Motor - Models other than above
26	31178015	Compression Pad
27	31178012	Muffler
28		Bottom Pan
29	N/A	Gasket
30	23737202	Caster (Wheeled models only)
31	169293	Reliant Mount - Upper
32	4632094-	Connector (Power Nozzle models)
	46326014	Connector - JM
33	36151012	Latch
34	39457006	Handle
35	170352 AG	Bag Collar Connector
36		Spring
37	41112002	Latches
38		Screw
39		Wire Cover (included in #41)
40	4010009H	Throw Away Bag (3 Pk.)
41	37196070	Motor Cover (w/o wire cover)
	170377JM	Motor Cover (incl. #39)
42	38764006	Filter
43		Nameplate
44	12971	Switch (Toggle - Not as illustrated) - S3011, S3011001, S3063001, S3071, S3085001, 97001, 99001, 89001, S3089
	36131002	Switch Retaining Clamp - Toggle Switch
	36131003	Switch Retaining Clamp - Toggle Switch
	28212026	Switch (Push) Illustrated
	38424001	Pedal (Models with side mount push switch)
45		Switch Pedal - S3125, S3133, S3135, S3173, S3191
46	38314002	Spring
		Discontinued Items

Motor

**Models 2000, 2001, 2010, 2011, 2017, 2040, 2100, 2110, 2120, 2120-01
2200, 2201, 2204, 2208, 2210, 2260, 2266, S3013, S3103-001,
S3013-035, S3015, S3015-001, S3021, S3023, S3033, S3033-030**

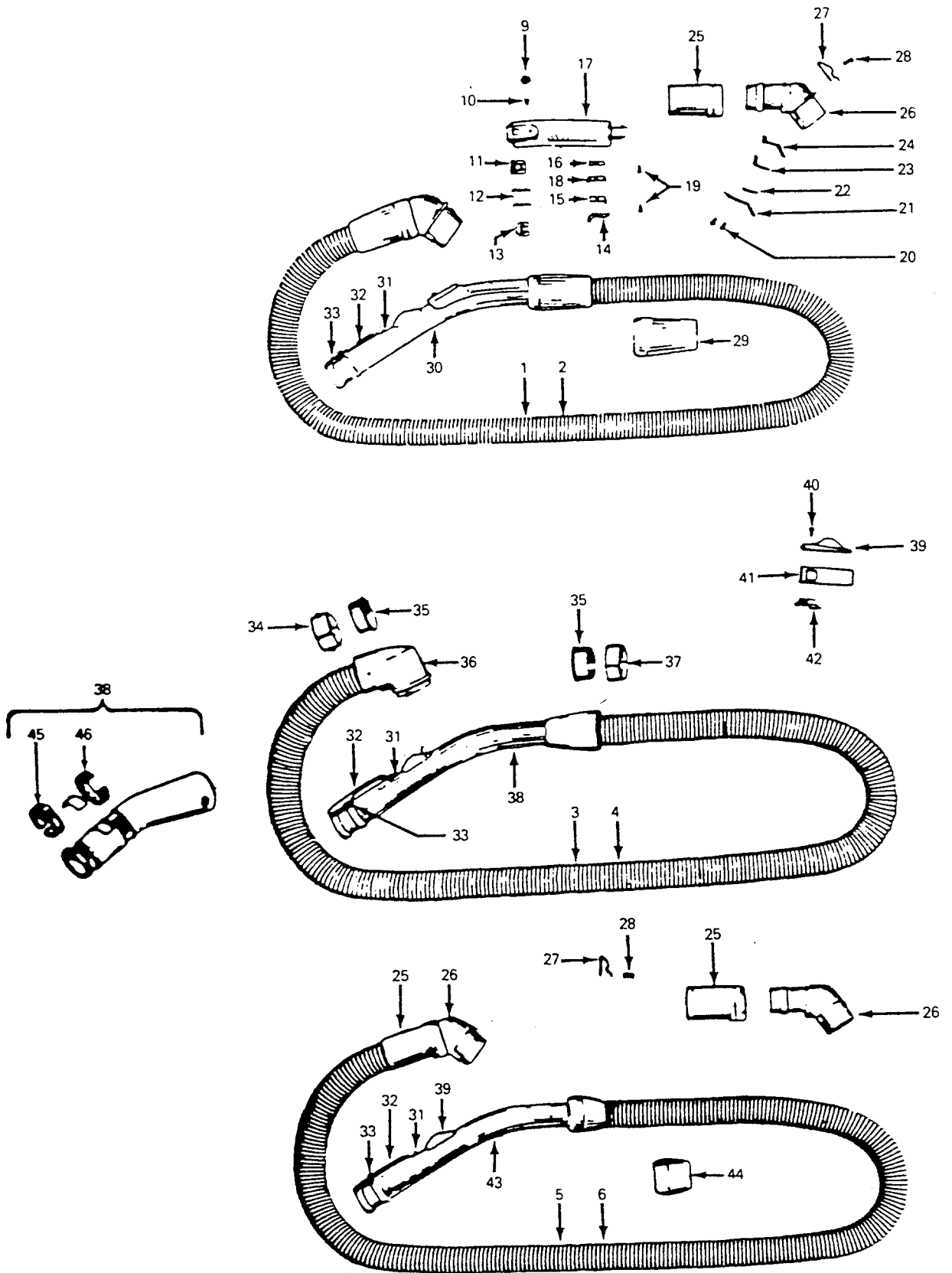


Ref. No.	Part No.	Description
1	12759	+ Filter Retainer - 2000, 2001, 2010
2	16578	+ Secondary Filter - 2000, 2001, 2010
3	163426	Outerstage Housing
4	12028	+ Nut
5	21312701	* Washer (2)
6	43566005	+ Fan
7	12022	Field Lamination Bolt (2)
8	12013	+ Spacer
9	21447028	** Screw (2)
10	12033	+ Motor Brush Retainer (2)
11	12059	Motor Brush Housing Assm.
12	12029	Motor Brush Holder (2)
13	12031	Motor Brush Assm. (2)
14	167677	+ Field Assm.
15	12854	Spring (2)
16	12050	Motor Casing
17	21651037	+ Nut - Special (2)
18	12007	* Pin (3)
19	167673	Armature

Ref. No.	Part No.	Description
20	12003	Fan Spacer
21	43566003	Fan (2)
22	21312700	Washer (3)
23	170055	+ Fan Spacer
24	18656	Interstage Housing
25	12000	Fan Nut
26		Not Applicable
27	12038	+ Motor End Cap Assm.
28	12756	+ Boot Clamp Band
29	12776	+* Screw - Self Tapping
30	12492JM	Exhaust Boot

ITEMS NOT ILLUSTRATED

12613	+ Lead Wire
160356	* Terminal
48969	* Solderless Connector
12574	+ Lead Wire (By Foot)



Hose Assembly

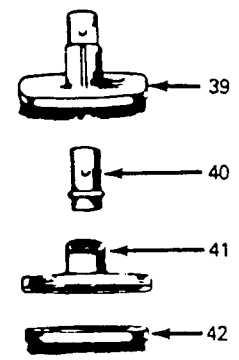
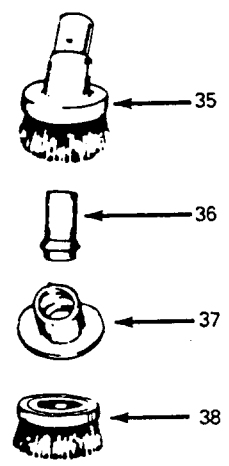
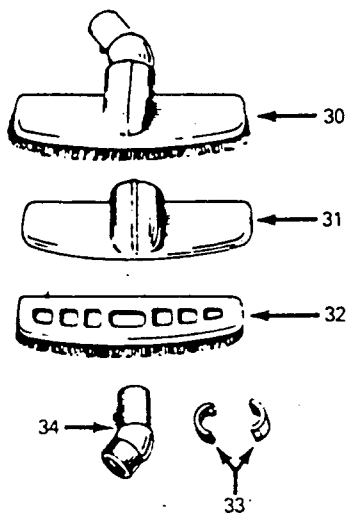
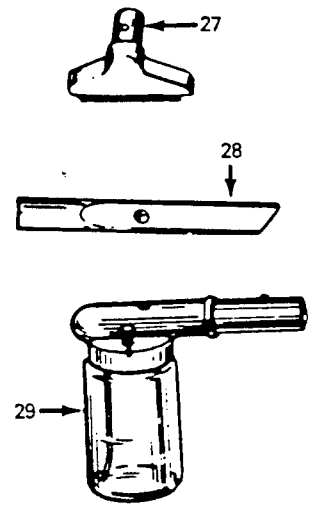
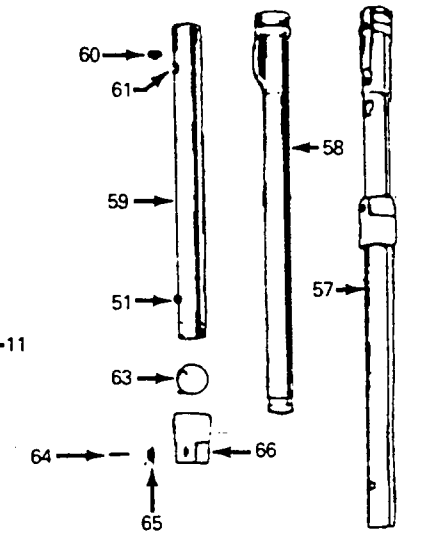
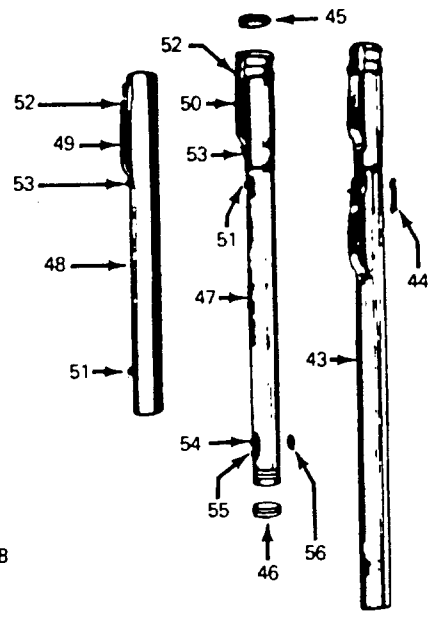
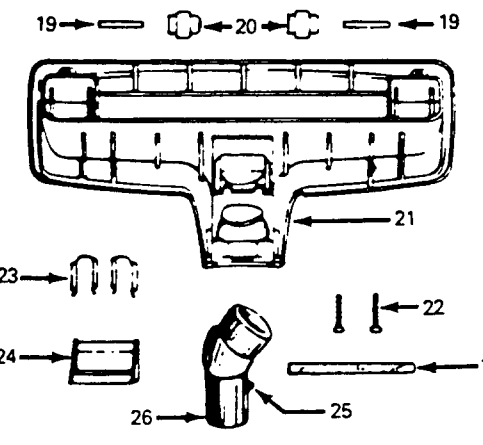
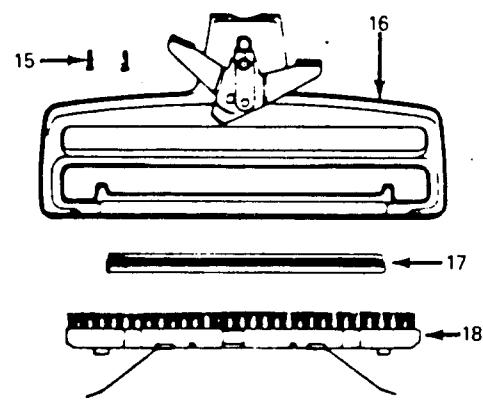
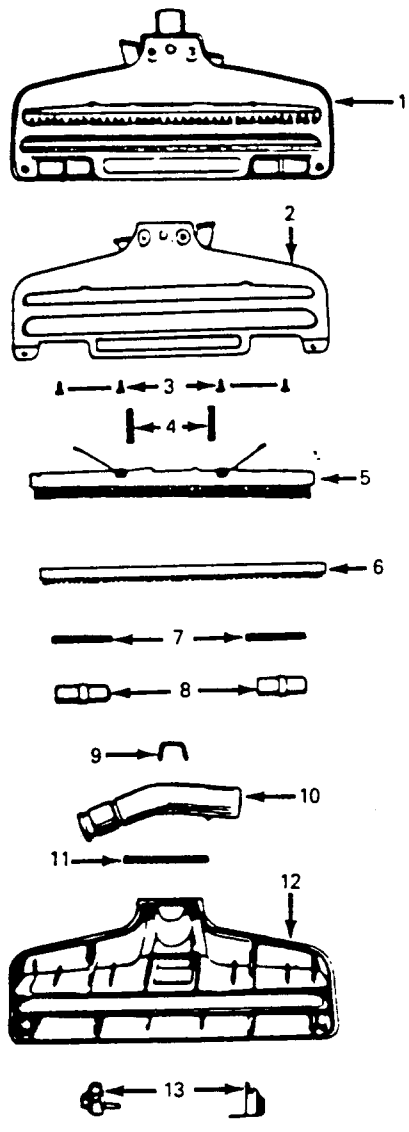
Ref. No.	Part No.	Description
1	11756JM	+ Hose Comp. - Ultraflex - Constellation
2	35123JM	+ Hose - Less Ends - Constellation
3	43438035	Hose Comp. - Portable Canisters
4	43438035	Hose Comp. - Portable Canisters
	23203JM	+ Hose Comp. - Constellation
6	48617JM	+ Hose Less Ends - Constellation
9	48685	+ Medallion - 87
10	48733	+* Screws
11	48876	+ Switch Slide - 87
12	35180	+ Switch Contact - 87
13	23195	+ Switch Terminal Block - 87
14	49041	+* Contact - Top - 87
15	35106	+ Switch Contact - Bottom - 87
16	35183	+ Switch Contact - Bottom - 87
17	48778	+ Switch Control Assm. & Cover - 87
18	35182	+ Contact - Top - 87
19	48735	+* Screw
20	42835	+* Screw
21	48666	+* Contact - Top - 87
22	48667	+* Contact - Lower - 87
23	49042	+* Contact - 87
24	35123	+* Spring - 87
25	23145JM	+ Hose Grip Connector
26	35201JM	+ Hose End Assm.
27	34667	+ Hose Latch Spring
28	48853	+* Rivet
29	23142	+ Hose Guard - 87
30	23159A	+ Hose Tube Curved Assm.
31	12783	+* Rivet
-	-	Not Applicable - S3033-030

Canister & Portable Cleaners

Ref. No.	Part No.	Description
32	12846AG	Tube latch Not Applicable - S3033-030
33	12772	+* Rivet Not Applicable - S3033-030
34	12615BZ	Hose Connector Collar
35	32156010	Hose Sleeve
36	38641004	Connector End
37	12704BZ	Hose Grip collar
	36116006	Hose Connector Collar - S3033-030
38	43468018	+ Hose Tube - Curved (Aluminum)
	43468019	+ Hose Tube Assm. w/Suction Regulator (use 43466044)
	43466044	Hose Conn. Curved w/Rings (Plastic)
39	13142AG	Suction Regulator Control Not Applicable - S3033-030
40	13275	+* Screw Not Applicable - S3033-030
41	13588	+ Slide Not Applicable - S3033-030
42	13257BZ	Suction Regulator
43	43468073	Hose Tube - except 87
44	23393JM	Hose Grip - Short
45	36153009	Latch Ring
46	38711006	Suction Control Ring

ITEMS NOT ILLUSTRATED

51869006	Hose Connector Label (Use in conjunction w/Item 38, S3033-030)
----------	---



Cleaning Tools

Ref. No.	Part No.	Description
1	43414101	+ Rug & Floor Nozzle Comp.
2	42246002	+ Bottom Plate - Edge Cleaning
3	12955	* Screw
4	15963FW	+ Spring
5	13258 16184	+ Brush Back Brush Back Assm. - 2120-01, S3013, S3013-001
6	13259PH	+ Litter Picker
7	13272	+ Shaft
8	13157AG	+ Roller
9	161413	+* Retainer
10	13156T 13156LL 43463012	+ Nozzle Connecting Tube + Nozzle Connecting Tube + Nozzle Connector Tube - JM - 2120- 01, S3013-001
11	13267	+* Gasket
12	38615031 38615156	+ Nozzle - Edge Cleaning Nozzle - JM - 2120-01. S3013-001
13	13261AY	* Rib Shoe
15	808537	+* Screw
16	604477	+ Bottom Plate Assm.
17	714232	+ Litter Picker
18	714256	+ Brush Back Assm.
19	815368	+* Pin
20	815357LL	+ Roller
21	0M114169	Carpet & Floor Nozzle
22	907735	+ Screw
23	714249	+ Shoe
24	612929	+ Tube Retainer - Plastic
25	162331	+ Rivet
26	650110A	+ Connector Tube
27	43414057	Furniture Nozzle
28	38617017	Crevice Tool
29	34462	+ Sprayer Comp.
30	13077JM 43414073	+ Bare Floor Brush Floor Brush Assm.
31	13155	+ Bare Floor Brush (Use w/ 3077JM)
32	13253AG	+ Floor Brush Face
33	13276 33712007	Swivel Bushing - Floor Brush (Use w/13154JM) Split Ring (Use w/38644040)

Canister & Portable Cleaners

Ref. No.	Part No.	Description
34	13154JM 38644040	+ Floor Brush Swivel & Collar Swivel Connector (Use w/48473025)
35	161851JM 43414064	+ Dusting Brush Dusting Brush (One Piece)
36	13149JM	Nozzle Connector Tube (Use w/ 161851JM)
37	13150LL	+ Nozzle (Use w/ 61851 JM)
38	13263BZ	+ Brush (Use w/ 61851 JM)
39	161852JM 43414016	+ Furniture Brush Comp. Furniture Brush - AG
40	13149JM	Nozzle Connector Tube (Use w/ 161852JM)
41	161852JM	+ Furniture Brush Comp.
42	13254BZ	+ Furniture Brush Back (Use w/ 161852JM)
43	43458001	Ext. Wand
	43453027	Ext. Wand - S3033-030
44	12589	Tube Guide
45	12845JM	Gasket - Outer
46	12844JM	+ Gasket - Inner
47	12598	+ Ext. Tube - Inner
48	12597	Ext. Tube - Outer
49	36152018	Tube Latch - Outer
50	12846AG	Tube Latch - Inner
51	12763AW	* Rivet
52	12772	+* Rivet
53	12783	+* Rivet
54	12600	* Rivet
55	12824	+* Reinforcement Plate
56	21312704	* Washer
57		+ Ext. Tube - Use 43458001
58	34986LL	+ Ext. Tube - Inner
59	48468	+ Ext. Tube Assm. - Outer
60	48458	+ Guide
61	48460	+* Rivet
63	35015	+ Lock Spring
64	48467	+ Lock Pin
65	35104	+ Tube Lock
66	23016	+ Lock Housing