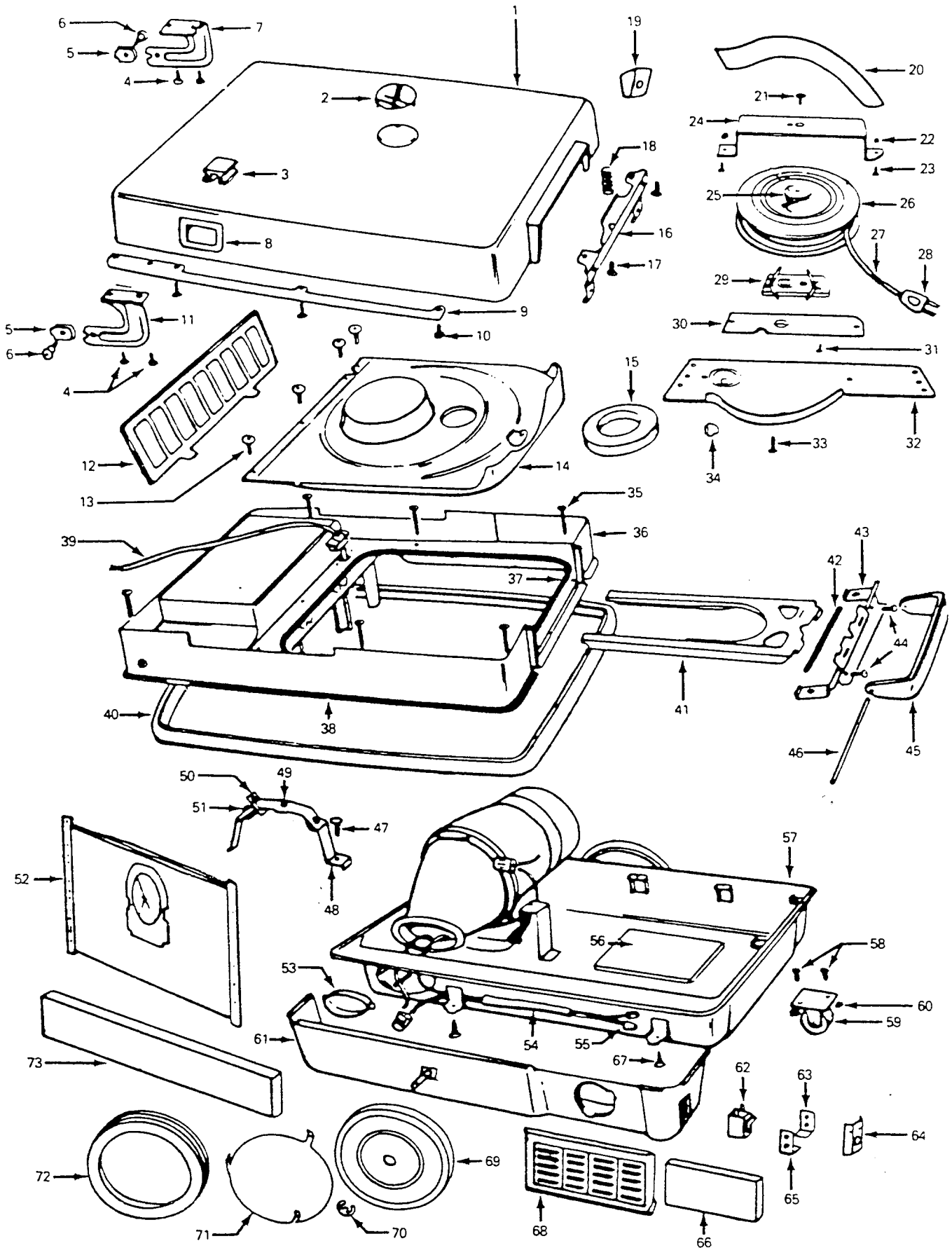


Shell

Models 2200, 2201, 2204, 2208, 2210, 2260, 2266,
S3013, S3013-001, S3013-035, S3015, S3015-001



Shell

Models 2200, 2201, 2204, 2208, 2210, 2260, 2266 S3013, S3013-001, S3013-035, S3015, S3015-001

Ref. No.	Part No.	Description	Ref. No.	Part No.	Description
1	49620A	+ Cover- 2200, 2201, 2208, 2210	28	35380	Service Plug
	49620EA	+ Cover-2204	29	18857	+ Brush Block (Cord Reel 46831015)
	49620JM	+ Cover- 2260, 2266	30	18744	+ Insulator (Cord Reel 46831015)
	49620CR	+ Cover - 2266 (After Dec. 73)	31	18858	+* Rivet
	42231026	+ Cover - S3013, S3013-001, S3013-035	32	18605JM	+ Fence
	42231031	Cover - S3015	33	21447024	+ Screw (Cord Reels 46831015/46831003)
	42231048	+ Cover-JV		19771	+* Screw (Cord Reel 14995)
	42231052	+ Cover - CD - S3015-001	34	27482227	Strain Relief
2	12474A	+ Medallion	35	12489	+* Screw
	169308	+ Medallion - S3013, S3013-001, S3015, S3015-001, S3013-035	36	12479JM	+ Bulkhead
3	161100KK	+ Cord Guide - 2201	37	12483	+ Bag Door Gasket
	161100DL	+ Cord Guide	38	12917	+ Bulkhead Gasket
	161100CR	+ Cord Guide - 2266 (After Dec. 73)	39	18602DM	+ Pigtail Cord
4	12956	* Screw		46311123	Pigtail Cord - S3013-001, S3015-001, S3013-035
5	12513	Nut	40	12486JM	+ Furniture Guard
6	12458	Screw	41	12485	+ Bag Support
7	12477	+ Hinge - L.H.	42	13057	+* Gasket
8	14988CD	+ Plug Housing	43	12481DM	+ Bulkhead Latch
	12754CJ	+ Cover Reinforcing Strip	44	12955	* Screw
10	12956	* Screw	45	12357JM	Handle
11	12476	+ Hinge - R.H.	46	12595	+ Handle Pin
12	12512	Secondary Filter	47	12776	+* Screw
13	12954	* Screw	48	12585	+ Motor Support
14	15476JM	+ Bag Door	49	12889	+* Plug
	15476CS	+ Bag Door - 2266 (After Dec. 73)	50	12940	+* Lead Wire Retainer
	15476DL	+ Bag Door - S3013	51	12518	+ Motor Mount
	15476JV	+ Bag Door - S3013-001, S3013-035	52	4010010J	Throw Away Bag (4 Pk.)
	15476FM	+ Bag Door - S3015		4010011J	+ Throw Away Bag (1 2 Pk.)
	15476CD	+ Bag Door - S3015-001	53	12174	+ Boot Expander
15	12506	+ Gasket	54	13314	+ Cord Covering
16	12480JM	+ Latch	55	161350	+* Terminal
17	12954	* Screw	56	12966	Bag Protector
18	12962	+ Spring	57	12528DN	+ Base - 2204
19	13092DL	+ Rug Nozzle Retainer		12528HH	+ Base - 2200, 2201, 2208
20	18855JM	+ Cover Insulator		12528T	+ Base - 2010
21	19765	+* Screw		161947HH	+ Base - 2260
22	13015EF	+* Nut		161947DN	+ Base - 2266, S3015-001
23	21571701	+* Bolt		161947CT	+ Base - 2266 (After Dec. 73)
24	18600	+ Bracket for 18939 Cord Reel		12528JJ	+ Base - S3013
25	19976	+ Ratchet - Full Round Reel w/Metal Shaft		161947FP	+ Base - S3015
	19999	+ Ratchet - 3/4 Round Reel w/Plastic Shaft		12528JE	+ Base - S3013-001, S3013-035
			58	21772501	* Screw
26	14995KK	+ Cord Reel (closed) - 2201	59	23737202	Caster Wheel
	14995T	+ Cord Reel (closed)	60	18154	+* Nut
	46831003	+ Cord Reel - S3013-001, S3015-001, S3013-035	61	15520HH	+ Exhaust Duct - 2200, 2201
	46831003	+ Cord Reel - S3013-001, S3015-001, S3013-035		17492HH	+ Exhaust Duct - 2208
	46831015	Cord Reel (open)		166037DN	+ Exhaust Duct - 2204
27	46363195	Cord		160833T	+ Exhaust Duct - 221 0
	163632DL	+ Cord - 2266, S3013-001, S3013-035, S3015-001		161479DN	+ Exhaust Duct - 2260, 2266
				169183JJ	+ Exhaust Duct - S3013
				169183JE	+ Exhaust Duct - S3013-001, S3013-035

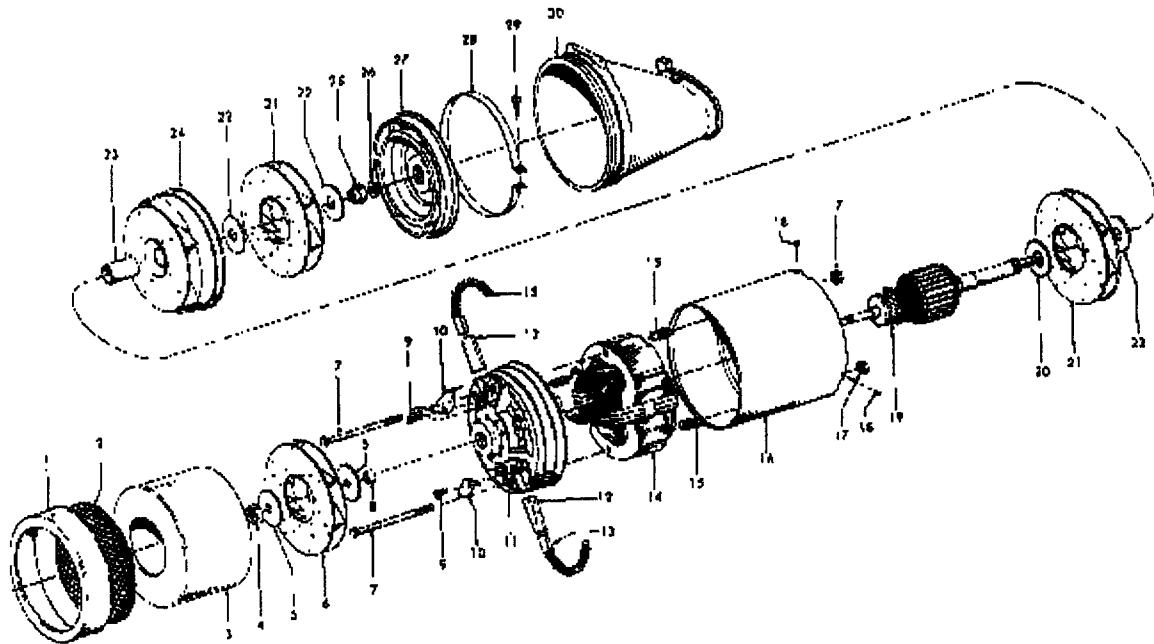
Shell

Models 2200, 2201, 2204, 2208, 2210, 2260, 2266 S3013, S3013-001, S3013-035, S3015, S3015-001

Ref. No.	Part No.	Description	Ref. No.	Part No.	Description
62	169264JJ	+ Exhaust Duct - S3015-001, S3015	71	160123	+ Wheel Cover - S3015
	12971	Switch - Plastic Toggle		169242	Wheel Cover
	12876	Switch - Metal Toggle	72	161448AG	+ Tire
	12560	* Nut for Switch - 12507		161448DP	+ Tire - 2266 (After Dec. 73)
	13492	+* Washer for Switch - 12507			-S3015, S3015-001
	12507	+ Switch - Metal Toggle	73	12490	+ Muffler
63	13312	Switch Clip	ITEMS NOT ILLUSTRATED		
64	34353001	Insulator		17923PY	Carrier Wheel - 2204, S3013
65	13313	Switch Clip		12960	+ Sealing Tape (Use w/item 61)
66	12735	Diffuser		12572	+* Lock Ring - 2204, S3013
67	12776	+* Screw		12534	+ Carrier Wheel Shaft - 2204, S3013
68	12736JM	+ Diffuser Door		48969	* Solderless Connector
	12736JE	+ Diffuser Door - S3013-001,S3013-035			
69	160108PH	+ Wheel			
70	160017	* Lock Ring			

Motor

**Models 2000, 2001, 2010, 2011, 2017, 2040, 2100, 2110, 2120, 2120-01
2200, 2201, 2204, 2208, 2210, 2260, 2266, S3013, S3103-001,
S3013-035, S3015, S3015-001, S3021, S3023, S3033, S3033-030**

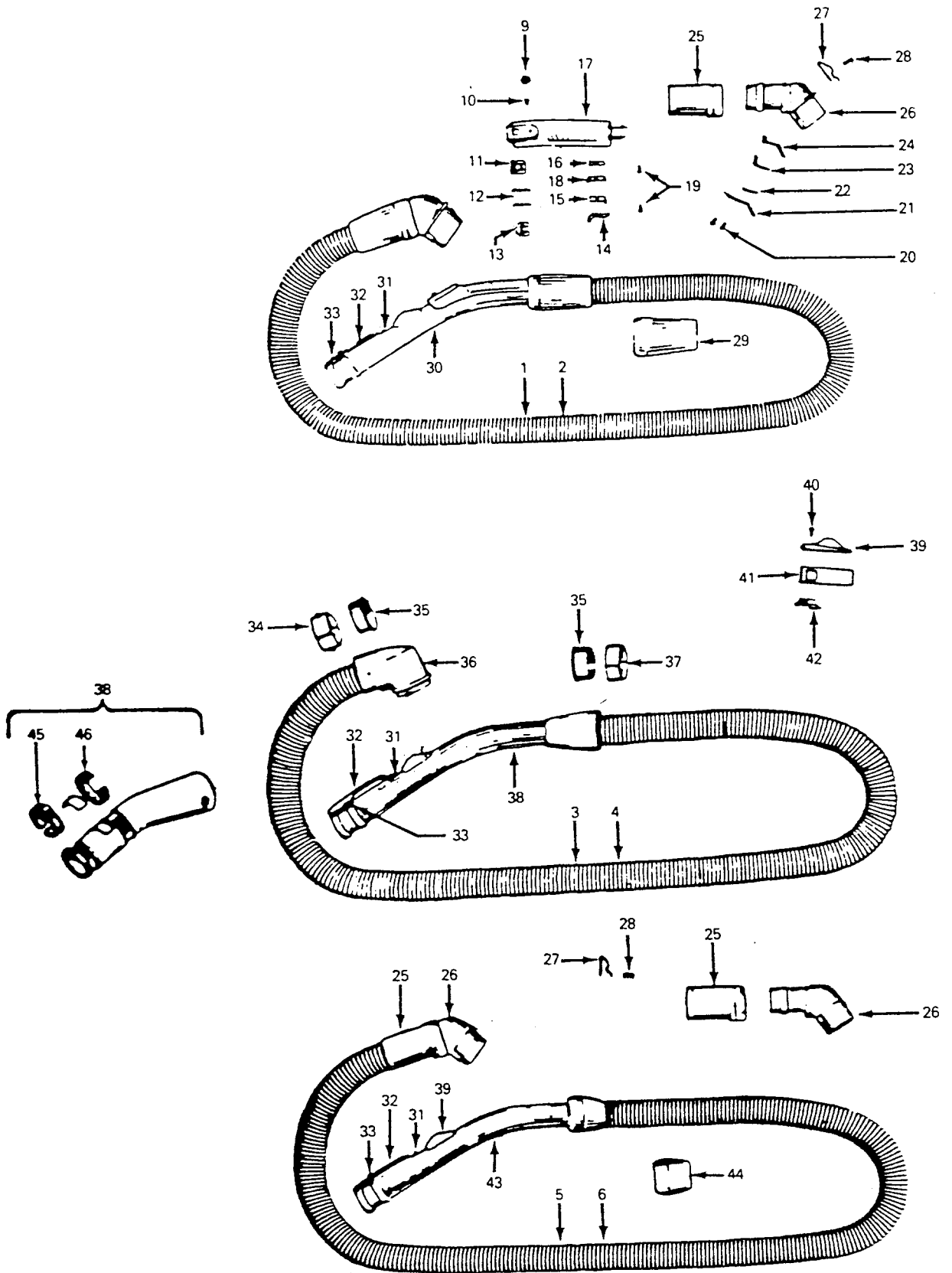


Ref. No.	Part No.	Description
1	12759	+ Filter Retainer - 2000, 2001, 2010
2	16578	+ Secondary Filter - 2000, 2001, 2010
3	163426	Outerstage Housing
4	12028	+ Nut
5	21312701	* Washer (2)
6	43566005	+ Fan
7	12022	Field Lamination Bolt (2)
8	12013	+ Spacer
9	21447028	** Screw (2)
10	12033	+ Motor Brush Retainer (2)
11	12059	Motor Brush Housing Assm.
12	12029	Motor Brush Holder (2)
13	12031	Motor Brush Assm. (2)
14	167677	+ Field Assm.
15	12854	Spring (2)
16	12050	Motor Casing
17	21651037	+ Nut - Special (2)
18	12007	* Pin (3)
19	167673	Armature

Ref. No.	Part No.	Description
20	12003	Fan Spacer
21	43566003	Fan (2)
22	21312700	Washer (3)
23	170055	+ Fan Spacer
24	18656	Interstage Housing
25	12000	Fan Nut
26		Not Applicable
27	12038	+ Motor End Cap Assm.
28	12756	+ Boot Clamp Band
29	12776	+* Screw - Self Tapping
30	12492JM	Exhaust Boot

ITEMS NOT ILLUSTRATED

12613	+ Lead Wire
160356	* Terminal
48969	* Solderless Connector
12574	+ Lead Wire (By Foot)



Hose Assembly

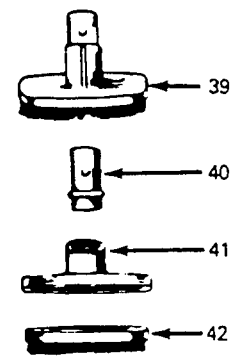
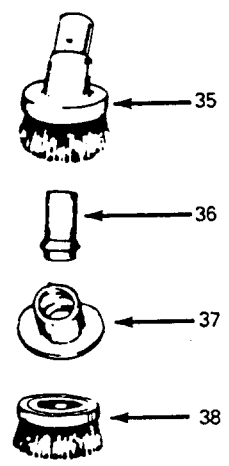
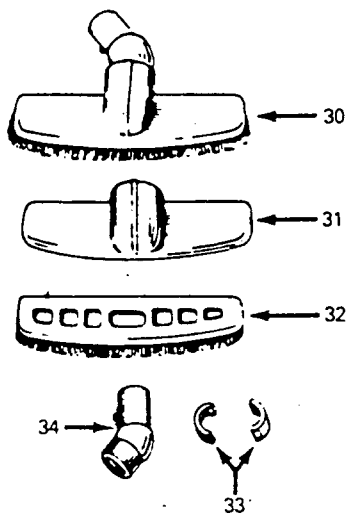
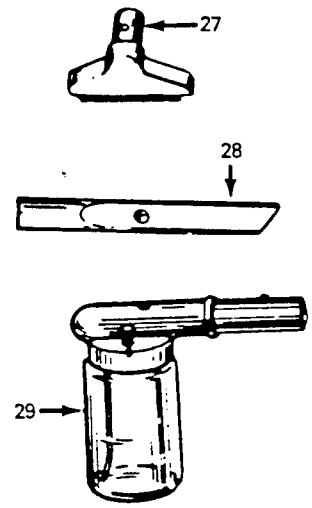
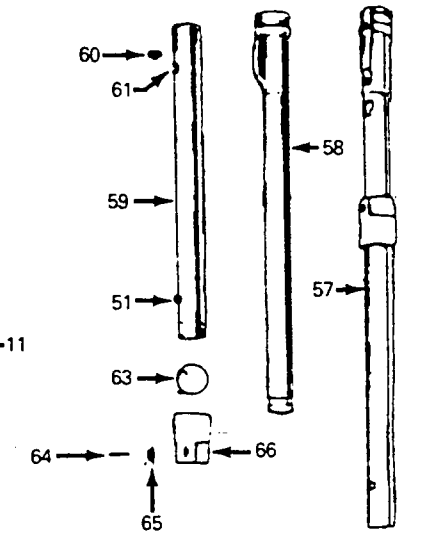
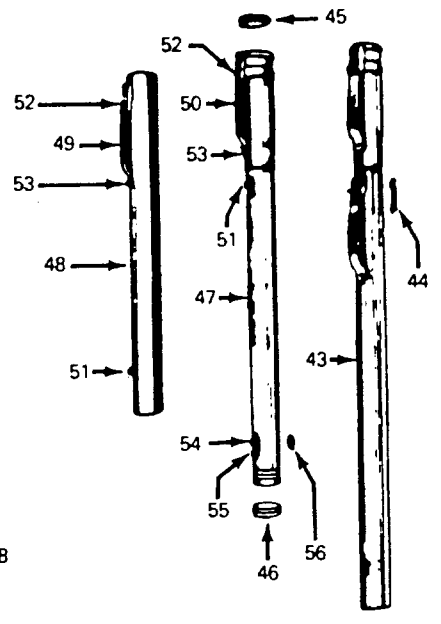
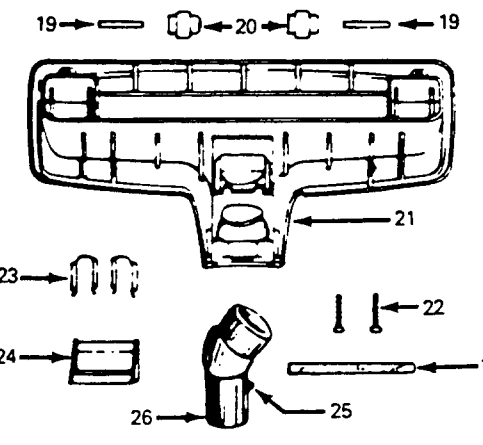
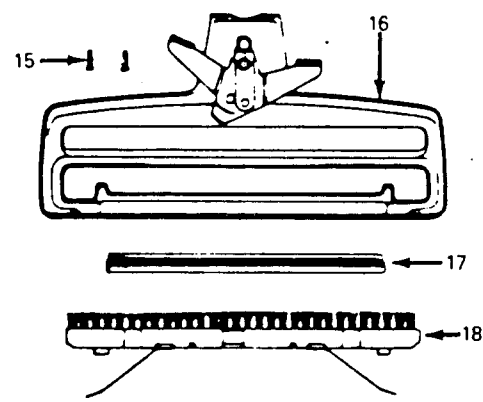
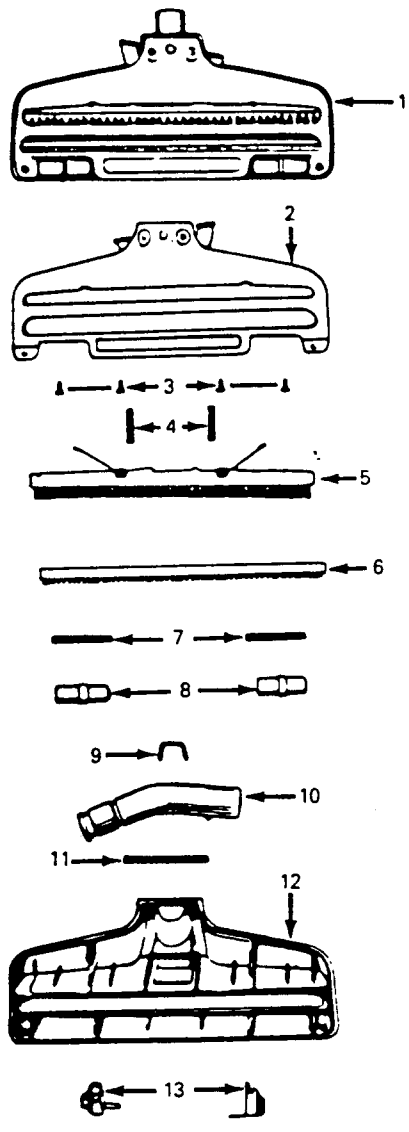
Ref. No.	Part No.	Description
1	11756JM	+ Hose Comp. - Ultraflex - Constellation
2	35123JM	+ Hose - Less Ends - Constellation
3	43438035	Hose Comp. - Portable Canisters
4	43438035	Hose Comp. - Portable Canisters
	23203JM	+ Hose Comp. - Constellation
6	48617JM	+ Hose Less Ends - Constellation
9	48685	+ Medallion - 87
10	48733	+* Screws
11	48876	+ Switch Slide - 87
12	35180	+ Switch Contact - 87
13	23195	+ Switch Terminal Block - 87
14	49041	+* Contact - Top - 87
15	35106	+ Switch Contact - Bottom - 87
16	35183	+ Switch Contact - Bottom - 87
17	48778	+ Switch Control Assm. & Cover - 87
18	35182	+ Contact - Top - 87
19	48735	+* Screw
20	42835	+* Screw
21	48666	+* Contact - Top - 87
22	48667	+* Contact - Lower - 87
23	49042	+* Contact - 87
24	35123	+* Spring - 87
25	23145JM	+ Hose Grip Connector
26	35201JM	+ Hose End Assm.
27	34667	+ Hose Latch Spring
28	48853	+* Rivet
29	23142	+ Hose Guard - 87
30	23159A	+ Hose Tube Curved Assm.
31	12783	+* Rivet
-	-	Not Applicable - S3033-030

Canister & Portable Cleaners

Ref. No.	Part No.	Description
32	12846AG	Tube latch Not Applicable - S3033-030
33	12772	+* Rivet Not Applicable - S3033-030
34	12615BZ	Hose Connector Collar
35	32156010	Hose Sleeve
36	38641004	Connector End
37	12704BZ	Hose Grip collar
	36116006	Hose Connector Collar - S3033-030
38	43468018	+ Hose Tube - Curved (Aluminum)
	43468019	+ Hose Tube Assm. w/Suction Regulator (use 43466044)
	43466044	Hose Conn. Curved w/Rings (Plastic)
39	13142AG	Suction Regulator Control Not Applicable - S3033-030
40	13275	+* Screw Not Applicable - S3033-030
41	13588	+ Slide Not Applicable - S3033-030
42	13257BZ	Suction Regulator
43	43468073	Hose Tube - except 87
44	23393JM	Hose Grip - Short
45	36153009	Latch Ring
46	38711006	Suction Control Ring

ITEMS NOT ILLUSTRATED

51869006	Hose Connector Label (Use in conjunction w/Item 38, S3033-030)
----------	---



Cleaning Tools

Ref. No.	Part No.	Description
1	43414101	+ Rug & Floor Nozzle Comp.
2	42246002	+ Bottom Plate - Edge Cleaning
3	12955	* Screw
4	15963FW	+ Spring
5	13258 16184	+ Brush Back Brush Back Assm. - 2120-01, S3013, S3013-001
6	13259PH	+ Litter Picker
7	13272	+ Shaft
8	13157AG	+ Roller
9	161413	+* Retainer
10	13156T 13156LL 43463012	+ Nozzle Connecting Tube + Nozzle Connecting Tube + Nozzle Connector Tube - JM - 2120- 01, S3013-001
11	13267	+* Gasket
12	38615031 38615156	+ Nozzle - Edge Cleaning Nozzle - JM - 2120-01. S3013-001
13	13261AY	* Rib Shoe
15	808537	+* Screw
16	604477	+ Bottom Plate Assm.
17	714232	+ Litter Picker
18	714256	+ Brush Back Assm.
19	815368	+* Pin
20	815357LL	+ Roller
21	0M114169	Carpet & Floor Nozzle
22	907735	+ Screw
23	714249	+ Shoe
24	612929	+ Tube Retainer - Plastic
25	162331	+ Rivet
26	650110A	+ Connector Tube
27	43414057	Furniture Nozzle
28	38617017	Crevice Tool
29	34462	+ Sprayer Comp.
30	13077JM 43414073	+ Bare Floor Brush Floor Brush Assm.
31	13155	+ Bare Floor Brush (Use w/ 3077JM)
32	13253AG	+ Floor Brush Face
33	13276 33712007	Swivel Bushing - Floor Brush (Use w/13154JM) Split Ring (Use w/38644040)

Canister & Portable Cleaners

Ref. No.	Part No.	Description
34	13154JM 38644040	+ Floor Brush Swivel & Collar Swivel Connector (Use w/48473025)
35	161851JM 43414064	+ Dusting Brush Dusting Brush (One Piece)
36	13149JM	Nozzle Connector Tube (Use w/ 161851JM)
37	13150LL	+ Nozzle (Use w/ 61851 JM)
38	13263BZ	+ Brush (Use w/ 61851 JM)
39	161852JM 43414016	+ Furniture Brush Comp. Furniture Brush - AG
40	13149JM	Nozzle Connector Tube (Use w/ 161852JM)
41	161852JM	+ Furniture Brush Comp.
42	13254BZ	+ Furniture Brush Back (Use w/ 161852JM)
43	43458001	Ext. Wand
	43453027	Ext. Wand - S3033-030
44	12589	Tube Guide
45	12845JM	Gasket - Outer
46	12844JM	+ Gasket - Inner
47	12598	+ Ext. Tube - Inner
48	12597	Ext. Tube - Outer
49	36152018	Tube Latch - Outer
50	12846AG	Tube Latch - Inner
51	12763AW	* Rivet
52	12772	+* Rivet
53	12783	+* Rivet
54	12600	* Rivet
55	12824	+* Reinforcement Plate
56	21312704	* Washer
57		+ Ext. Tube - Use 43458001
58	34986LL	+ Ext. Tube - Inner
59	48468	+ Ext. Tube Assm. - Outer
60	48458	+ Guide
61	48460	+* Rivet
63	35015	+ Lock Spring
64	48467	+ Lock Pin
65	35104	+ Tube Lock
66	23016	+ Lock Housing