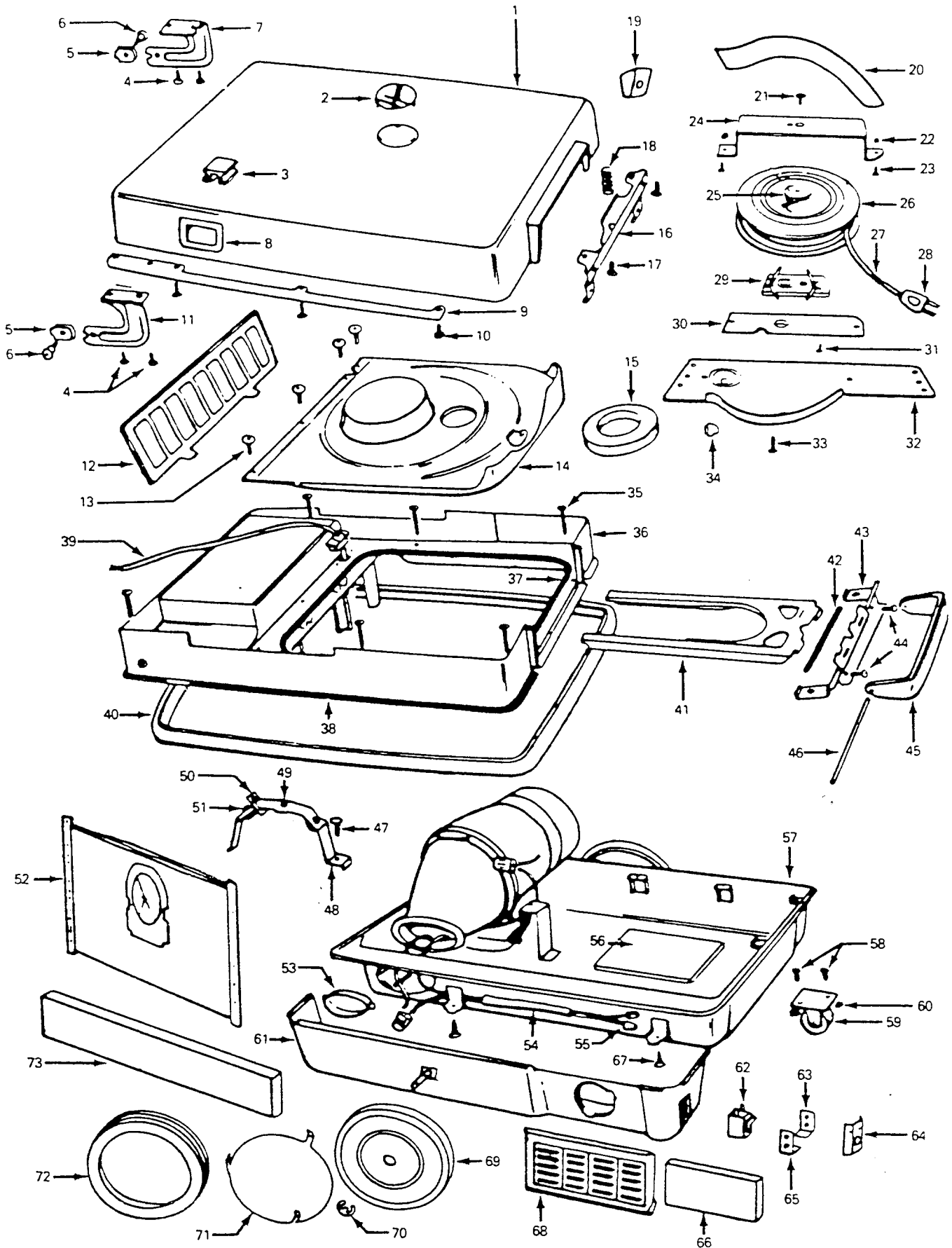


Shell

Models 2200, 2201, 2204, 2208, 2210, 2260, 2266,
S3013, S3013-001, S3013-035, S3015, S3015-001



Shell

Models 2200, 2201, 2204, 2208, 2210, 2260, 2266 S3013, S3013-001, S3013-035, S3015, S3015-001

Ref. No.	Part No.	Description	Ref. No.	Part No.	Description
1	49620A	+ Cover- 2200, 2201, 2208, 2210	28	35380	Service Plug
	49620EA	+ Cover-2204	29	18857	+ Brush Block (Cord Reel 46831015)
	49620JM	+ Cover- 2260, 2266	30	18744	+ Insulator (Cord Reel 46831015)
	49620CR	+ Cover - 2266 (After Dec. 73)	31	18858	+* Rivet
	42231026	+ Cover - S3013, S3013-001, S3013-035	32	18605JM	+ Fence
	42231031	Cover - S3015	33	21447024	+ Screw (Cord Reels 46831015/46831003)
	42231048	+ Cover-JV		19771	+* Screw (Cord Reel 14995)
	42231052	+ Cover - CD - S3015-001	34	27482227	Strain Relief
2	12474A	+ Medallion	35	12489	+* Screw
	169308	+ Medallion - S3013, S3013-001, S3015, S3015-001, S3013-035	36	12479JM	+ Bulkhead
3	161100KK	+ Cord Guide - 2201	37	12483	+ Bag Door Gasket
	161100DL	+ Cord Guide	38	12917	+ Bulkhead Gasket
	161100CR	+ Cord Guide - 2266 (After Dec. 73)	39	18602DM	+ Pigtail Cord
4	12956	* Screw		46311123	Pigtail Cord - S3013-001, S3015-001, S3013-035
5	12513	Nut	40	12486JM	+ Furniture Guard
6	12458	Screw	41	12485	+ Bag Support
7	12477	+ Hinge - L.H.	42	13057	+* Gasket
8	14988CD	+ Plug Housing	43	12481DM	+ Bulkhead Latch
	12754CJ	+ Cover Reinforcing Strip	44	12955	* Screw
10	12956	* Screw	45	12357JM	Handle
11	12476	+ Hinge - R.H.	46	12595	+ Handle Pin
12	12512	Secondary Filter	47	12776	+* Screw
13	12954	* Screw	48	12585	+ Motor Support
14	15476JM	+ Bag Door	49	12889	+* Plug
	15476CS	+ Bag Door - 2266 (After Dec. 73)	50	12940	+* Lead Wire Retainer
	15476DL	+ Bag Door - S3013	51	12518	+ Motor Mount
	15476JV	+ Bag Door - S3013-001, S3013-035	52	4010010J	Throw Away Bag (4 Pk.)
	15476FM	+ Bag Door - S3015		4010011J	+ Throw Away Bag (1 2 Pk.)
	15476CD	+ Bag Door - S3015-001	53	12174	+ Boot Expander
15	12506	+ Gasket	54	13314	+ Cord Covering
16	12480JM	+ Latch	55	161350	+* Terminal
17	12954	* Screw	56	12966	Bag Protector
18	12962	+ Spring	57	12528DN	+ Base - 2204
19	13092DL	+ Rug Nozzle Retainer		12528HH	+ Base - 2200, 2201, 2208
20	18855JM	+ Cover Insulator		12528T	+ Base - 2010
21	19765	+* Screw		161947HH	+ Base - 2260
22	13015EF	+* Nut		161947DN	+ Base - 2266, S3015-001
23	21571701	+* Bolt		161947CT	+ Base - 2266 (After Dec. 73)
24	18600	+ Bracket for 18939 Cord Reel		12528JJ	+ Base - S3013
25	19976	+ Ratchet - Full Round Reel w/Metal Shaft		161947FP	+ Base - S3015
	19999	+ Ratchet - 3/4 Round Reel w/Plastic Shaft		12528JE	+ Base - S3013-001, S3013-035
			58	21772501	* Screw
26	14995KK	+ Cord Reel (closed) - 2201	59	23737202	Caster Wheel
	14995T	+ Cord Reel (closed)	60	18154	+* Nut
	46831003	+ Cord Reel - S3013-001, S3015-001, S3013-035	61	15520HH	+ Exhaust Duct - 2200, 2201
	46831003	+ Cord Reel - S3013-001, S3015-001, S3013-035		17492HH	+ Exhaust Duct - 2208
	46831015	Cord Reel (open)		166037DN	+ Exhaust Duct - 2204
27	46363195	Cord		160833T	+ Exhaust Duct - 221 0
	163632DL	+ Cord - 2266, S3013-001, S3013-035, S3015-001		161479DN	+ Exhaust Duct - 2260, 2266
				169183JJ	+ Exhaust Duct - S3013
				169183JE	+ Exhaust Duct - S3013-001, S3013-035

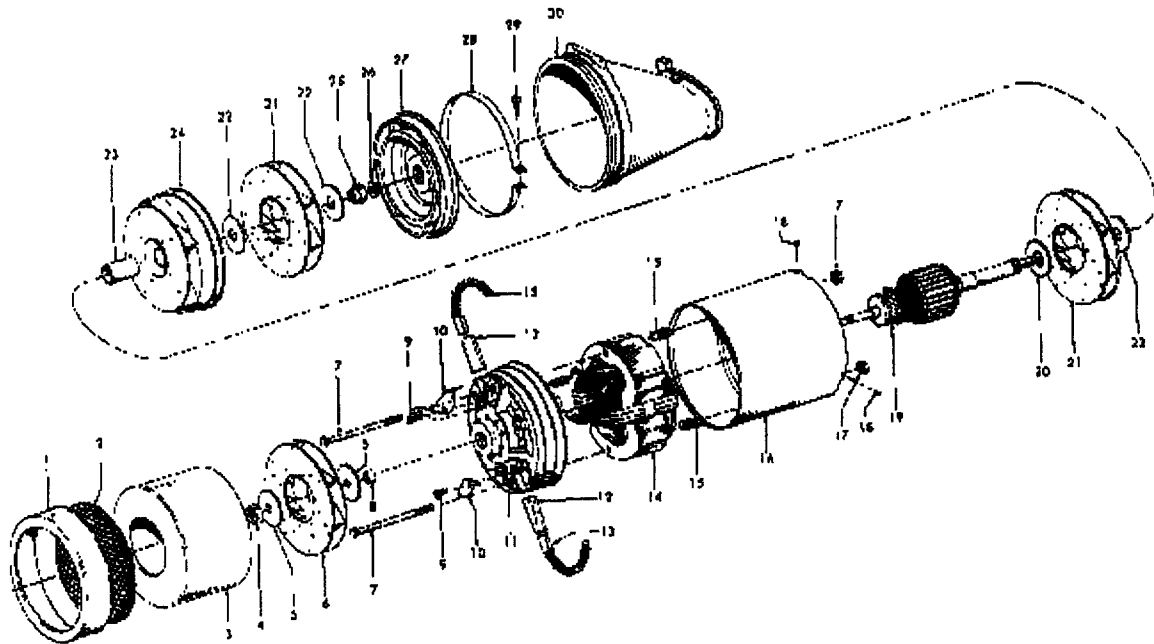
Shell

Models 2200, 2201, 2204, 2208, 2210, 2260, 2266 S3013, S3013-001, S3013-035, S3015, S3015-001

Ref. No.	Part No.	Description	Ref. No.	Part No.	Description
62	169264JJ	+ Exhaust Duct - S3015-001, S3015	71	160123	+ Wheel Cover - S3015
	12971	Switch - Plastic Toggle		169242	Wheel Cover
	12876	Switch - Metal Toggle	72	161448AG	+ Tire
	12560	* Nut for Switch - 12507		161448DP	+ Tire - 2266 (After Dec. 73)
	13492	+* Washer for Switch - 12507			-S3015, S3015-001
	12507	+ Switch - Metal Toggle	73	12490	+ Muffler
63	13312	Switch Clip	ITEMS NOT ILLUSTRATED		
64	34353001	Insulator		17923PY	Carrier Wheel - 2204, S3013
65	13313	Switch Clip		12960	+ Sealing Tape (Use w/item 61)
66	12735	Diffuser		12572	+* Lock Ring - 2204, S3013
67	12776	+* Screw		12534	+ Carrier Wheel Shaft - 2204, S3013
68	12736JM	+ Diffuser Door		48969	* Solderless Connector
	12736JE	+ Diffuser Door - S3013-001,S3013-035			
69	160108PH	+ Wheel			
70	160017	* Lock Ring			

Motor

**Models 2000, 2001, 2010, 2011, 2017, 2040, 2100, 2110, 2120, 2120-01
2200, 2201, 2204, 2208, 2210, 2260, 2266, S3013, S3103-001,
S3013-035, S3015, S3015-001, S3021, S3023, S3033, S3033-030**



Ref. No.	Part No.	Description
1	12759	+ Filter Retainer - 2000, 2001, 2010
2	16578	+ Secondary Filter - 2000, 2001, 2010
3	163426	Outerstage Housing
4	12028	+ Nut
5	21312701	* Washer (2)
6	43566005	+ Fan
7	12022	Field Lamination Bolt (2)
8	12013	+ Spacer
9	21447028	** Screw (2)
10	12033	+ Motor Brush Retainer (2)
11	12059	Motor Brush Housing Assm.
12	12029	Motor Brush Holder (2)
13	12031	Motor Brush Assm. (2)
14	167677	+ Field Assm.
15	12854	Spring (2)
16	12050	Motor Casing
17	21651037	+ Nut - Special (2)
18	12007	* Pin (3)
19	167673	Armature

Ref. No.	Part No.	Description
20	12003	Fan Spacer
21	43566003	Fan (2)
22	21312700	Washer (3)
23	170055	+ Fan Spacer
24	18656	Interstage Housing
25	12000	Fan Nut
26		Not Applicable
27	12038	+ Motor End Cap Assm.
28	12756	+ Boot Clamp Band
29	12776	+* Screw - Self Tapping
30	12492JM	Exhaust Boot

ITEMS NOT ILLUSTRATED

12613	+ Lead Wire
160356	* Terminal
48969	* Solderless Connector
12574	+ Lead Wire (By Foot)

Ref. No.	Part No.	Description
1	43414101	+ Rug & Floor Nozzle Comp.
2	34113001	+ Seal Foam
3	169241AW	* Washer (2)
4	169239AG	Wheel (2)
5	13730	* Lock Ring (2)
6	169242	Wheel Cover (2)
7	38615101	Nozzle - S3001
	38615086	+ Nozzle - JM - S3001 -001, S3015, S3015-001
8	34112001	* Seal - Foam
9	34223002	+ Seal - Felt
10	169250AG	+ Brush Housing
11	169253AY	+ Rib Shoe (2)
12	169256	+ Brush Back Comp.
13	169247JM	+ Furniture Guard/Litter Picker
14	169251	+ Gasket
15	169538	+ Bottom Plate Comp.
16	21481464	+ Screw (2)
17	21481465	+ Screw (2)
18	169243AG	Roller
19	21312758	+* Washer
20	24735081	* Lock Ring
21	169244AW	Roller Shaft
22	166649FW	Spring (2)
23	34513001	Seal Foam - L.H.
24	34513002	Seal Foam - R.H.
25	169240AY	+ Wheel Shaft (2)
26	169249JM	+ Connector Tube
27	34122006	Seal
28	169254JM	+ Suction Control Knob
	43271039	+ Suction Control Knob - JM
29	43434010	+ Hose Comp. - JM - S3001, S3001-001 (Shown above)
	43438035	Hose - S3015, S3015-001 (Not Shown)
30	43466002	+ Tube End Comp. - S3001, S3001-001
31	170355AJ	+ Thumb Button - S3001, S3001-001
32	170340	+ Spring - S3001, S3001-001
33	170350	+ Piston - S3001, S3001-001
34	170327	+ Tubing - S3001, S3001 -001
35	38655006	+ Hose Connector Tube End
36	170354BZ	+ Hose Connector Collar (2) - S3001, S3001 -001
37	32156010	Hose Sleeve (2) - S3001, S3001-001
38	12126	+ Gasket - Felt (2) - S3001, S3001-001
39	43431002	Hose Less Ends - S3001, S3001-001
40	170329	+ Tube - S3001, S3001-001
41	170325DM	+ Tube Seal - S3001, S3001 -001
42	34221001	+* Static Conductor - S3001, S3001 -001
43	38683003	Hose Connector - S3001, S3001 -001
44	43414057	Furniture Nozzle Assm. - S3001, S3001 -001
45	38617017	Crevice Tool
46	43458001	Extension Wand
47	113263BZ	+ Brush (Use w/161851JM)
48	161851JM	+ Dusting Brush Comp.
	43414064	Dusting Brush (One Piece)
	51611002	+ Conducting Strip

ITEMS NOT ILLUSTRATED

