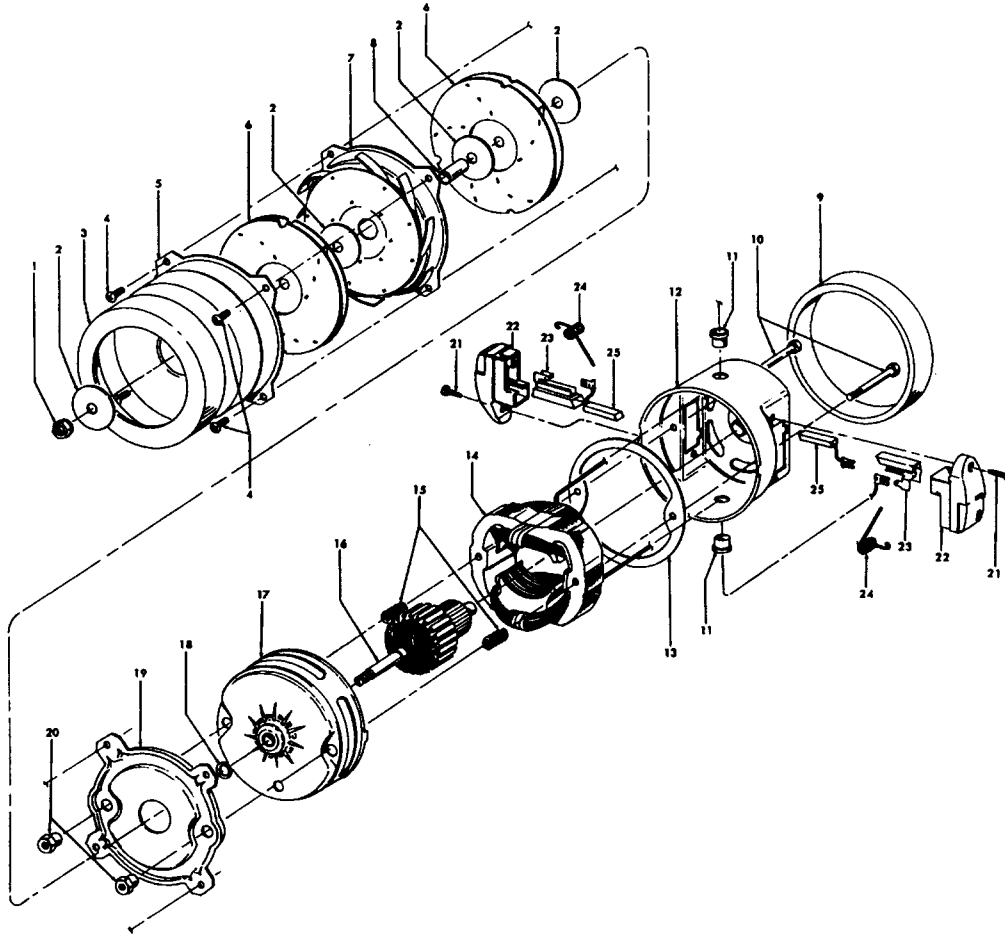


Portapower

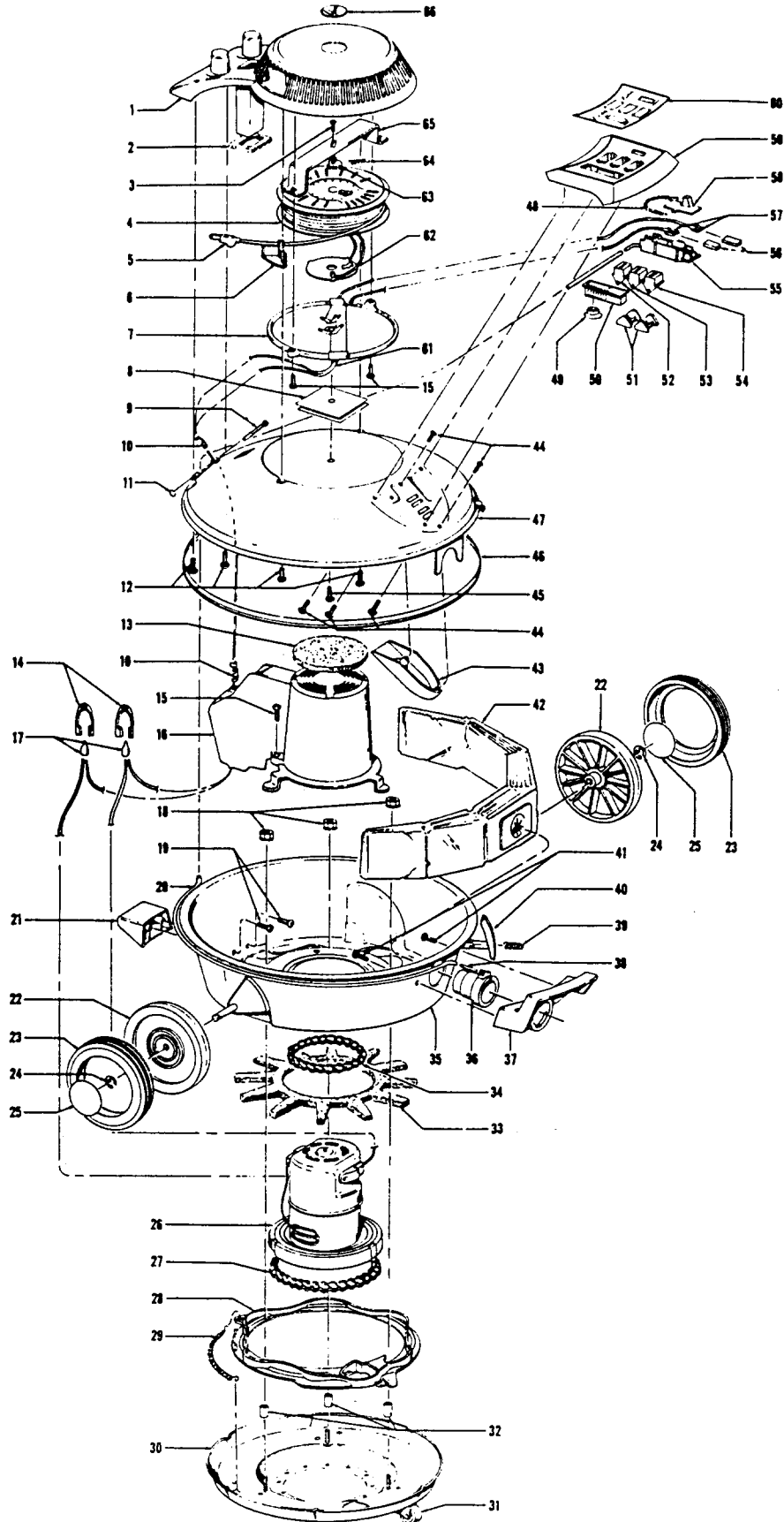
Models S1015-075, S1029-075, S1049, S1049-022, S1049-060, S1055, S1075, S1075-060, S1077, S1079, S1079-060

| Ref. No. | Part No. | Description | Ref. No. | Part No. | Description |
|----------|----------|---|---------------------------|----------|---|
| 1 | 46363271 | Attach. Cord Assm. - JM | 20 | 21479573 | Screw - Self Tapping (4) |
| 2 | 162059AG | Diffuser Door | 21 | 48615012 | Cord Storage Strap Assm. |
| | 162059M | + Diffuser Door | 22 | 15670 | Strap Hook (2) |
| | 162059JR | + Diffuser Door | | 33153002 | Strap Hook (2) - S1079, S1079-060 |
| | 162059JX | + Diffuser Door | 23 | 15668 | +* Strap Buckle |
| | 162059LB | + Diffuser Door | 24 | 48615022 | Carrying Strap Assm. |
| | 38768021 | Diffuser Door - S1075-060 | | 48615001 | + Carrying Strap Assm. - AG - S1079, S1079-060 |
| 3 | 162062AY | Hinge Pin (2) | 25 | 38663010 | Disposable Bag Support Tube - S1075, S1075-060, S1077 |
| 4 | 43662023 | Bag Assm. Comp. - Cloth (Reusable) | 26 | 46550AG | Disposable Bag Retainer - S1075, S1075-060, S1077 |
| 5 | 37223022 | + Housing Assm. R.H. - LZ | 27 | 4010038N | Disposable Bag (5 Pk.) - S1075, S1075-060, S1077 |
| | 37223005 | + Housing Assm. R.H. - LZ | | 43248010 | + Wheeled Dolly Comp. - S1029-075 (See Cleaning Tool Section) |
| | 37223103 | + Housing Assm. R.H. - JM - S1015-075 | PACKAGING MATERIAL | | |
| | 37223152 | Housing Assm. - RH - J M - S1075, S1075-060, S1029-075 | | 58152062 | + Carton |
| | 42222052 | Housing Assm. - R.H. - ML - S1079 S1079-060 | | 58172001 | + Carton - S1029-075, S1077 |
| | 37223067 | Housing Assm. - R.H. - JM - S1049, S1049-060, S1055, S1077, S1049-022 | | 58152055 | + Carton - S1079 |
| 6 | 162229M | + Bag Door Assm. | | 58152077 | + Carton - S1049-060 |
| | 42227039 | Bag Door Assm. | | 58152076 | + Carton - S1075-060 |
| | 162229JX | + Bag Door Assm, | | 58152075 | + Carton - S1079-060 |
| | 42227015 | Bag Door Assm. - S1075-060 | | 58282006 | + Dolly Support - S1029-075 |
| 7 | 162083JM | Secondary Filter | | 58332006 | + Carton Support - S1029-075 |
| 8 | 33712005 | Pressure Pad | | 58364016 | + Carton Support - S1049-060, S1075-060, S1079, S1079-060 |
| 9 | 34366001 | Diffuser | | 56512065 | + Owner Manual |
| | | Not Applicable - S1075, S1075-060, S1077 | | 56512107 | + Owner Manual - S1075, S1077 |
| 10 | 43177018 | Motor Assm. Comp. | | 56512134 | + Owner Manual - S1049-060, S1079-060 |
| | 43177069 | Motor Assm. Comp. - S1049-022, S1049-060 | | 56512135 | + Owner Manual - S1075-060 |
| 11 | 37922002 | Terminal Shield - BZ | | | |
| 12 | 38421012 | Switch Button - AG | | | |
| | | Not Applicable - S1075, S1075-060 | | | |
| 13 | 28177006 | Switch | | | |
| 14 | 27666702 | * Terminal (Lead Wire) | | | |
| 15 | 46216002 | Lead Wire Assm. - Black | | | |
| 16 | 12227 | Insulated Terminal | | | |
| 17 | 36215030 | Cord Protector | | | |
| 18 | 21447043 | * Screw - Self Tapping (2) | | | |
| 19 | 37223061 | Housing Assm. L.H. - S1049, S1049-022, S1055 S1015-075, S1075, S1075-060, S1077 | | | |
| | 37223189 | Housing Assm. L.H. - LB - S1029-075, S1049-060 | | | |
| | 37223143 | Housing Assm. L.H. - ML - S1079, S1079-060 | | | |



| Ref. No. | Part No. | Description |
|----------|----------|---|
| 1 | 33426001 | Nut |
| 2 | 21312701 | * Washer (4) |
| 3 | 31328002 | + Motor Mount |
| 4 | 21434224 | +* Screw - Self Tapping (4) |
| 5 | 37191016 | Outerstage Housing |
| 6 | 43566017 | Fan Assem. (2) |
| 7 | 43551005 | Interstage Assem. |
| 8 | 31742010 | Fan Spacer |
| 9 | 31178007 | Motor Gasket |
| 10 | 33421004 | + Field Lamination Bolt (2) |
| 11 | 27452109 | Snap Bushing (2) |
| | 169702BZ | + Bushing - S1049-022, S1049-060, S1075-060, S1077-033, S1077-060, S1079-060, S1127 |
| 12 | 42937003 | Motor Housing Assem. - Upper |
| 13 | 31193011 | + Air Baffle Not Applicable - S1049-060, S1075- |

| Ref. No. | Part No. | Description |
|----------|----------|--|
| | | 060, S1077-060, S1079-060, S1127 |
| 14 | 45311035 | Field Assem. Comp. |
| | 45311051 | Field Assem. Comp. - S1049-022, S1049-060, S1077-033, S1077-060, S1127 |
| 15 | 167721FW | Compression Spring (2) |
| 16 | 44765171 | Armature Assem. Comp. |
| 17 | 37191085 | Motor Housing Assem. - Lower |
| 18 | 31148002 | Spacer |
| 19 | 36322002 | Interstage Mounting Plate |
| 20 | 167695EF | Nut - Special (2) |
| 21 | 21429406 | * Screw (2) |
| 22 | 167696AG | Brush Carrier (2) |
| 23 | 168037 | Brush Holder (2) - Use Brush Carrier 47318008 (Incl. It. 22 - 25) |
| 24 | 38353004 | Spring (2) |
| 25 | 167681 | Motor Brush & Terminal Assem. |



Celebrity

Models S3001, S3001-001

| Ref. No. | Part No. | Description |
|----------|----------|--|
| 1 | 170367JM | + Cord Reel Housing - S3001 |
| | 37215065 | + Cord Reel Housing - JM - S3001 -001 |
| | 170334AG | + Gasket |
| 3 | 19765 | +* Screw |
| 4 | 46831015 | Cord Reel Comp. |
| 5 | 46383303 | Cord - S3001 |
| | 46363146 | + Attach. Cord - S3001 -001 |
| 6 | 170368JM | + Plug Insert |
| 7 | 47348007 | Brush Block Comp. |
| 8 | 34165002 | + Brush Block Insulator (2) |
| 9 | 47938 | * Pin |
| 10 | 27482227 | Strain Relief (2) |
| 11 | 43123AV | +* Ring |
| 12 | 12619 | +* Screw (4) |
| 13 | 170332BZ | Secondary Filter |
| 14 | 161881 | + Terminal Lock (2) |
| 15 | 17001FW | * Screw (4) |
| 16 | 37196030 | + Motor Cover - JM |
| 17 | 48969 | * Wire Nut (2) |
| 18 | 21652003 | + Hex Nut (3) |
| 19 | 21447014 | * Screw (2) |
| 20 | 170331JJ | + Tubing (Cover) |
| 21 | 170359JJ | + Rear Rest Pad |
| | 170359FP | + Rear Rest Pad |
| 22 | 160108PH | + Wheel (2) |
| 23 | 161448AG | + Tire Tread (2) |
| 24 | 160017 | * Lock Ring (2) |
| 25 | 169242 | Wheel Cover (2) |
| 26 | 43177001 | + Motor Comp. |
| 27 | 169294 | Motor Mount - Lower |
| 28 | 170374JM | Blower Valve |
| 29 | 170339 | + Spring |
| 30 | 41421129 | Bottom Pan Comp. - S3001 |
| | 41421026 | + Bottom Pan Comp. - ET - S3001 -001 |
| 31 | 23737202 | Caster Wheel Assm. |
| 32 | 31721004 | + Spacer (3) |
| 33 | 31194005 | + Muffler |
| 34 | 169293 | Motor Mount - Upper |
| 35 | 42213033 | + Intermediate Shell Comp. - S3001 |
| | 42213034 | + Intermediate Shell Comp. - ET - S3001 -001 |
| 36 | 170358AG | + Bag Connector Collar |
| 37 | 39457006 | + Handle - S3001 -001 |
| 38 | 170328 | + Tube - Bag Collar |
| 39 | 48512FW | + Latch Link Spring |
| 40 | 16439JJ | + Shell Cover Latch |
| | 16439JX | + Shell Cover Latch |
| 41 | 166735EF | + Screw (2) |

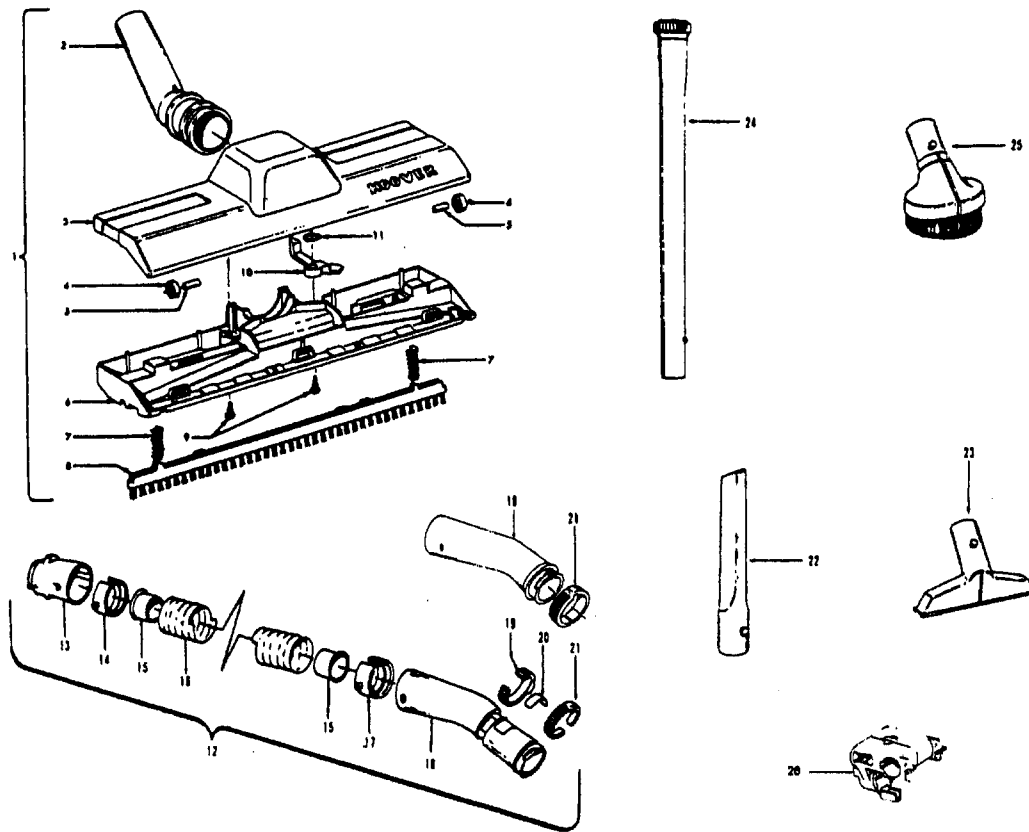
| Ref. No. | Part No. | Description |
|----------|----------|---|
| 42 | 4010009H | Throw Away Bag - (3 Pk.) |
| 43 | 37911001 | + Vacuum Control Panel - S3001 |
| | 37911003 | + Vacuum Control Panel - S3001-001 |
| 44 | 21479229 | Screw (Control Panel) (5) |
| 45 | 21447003 | * Screw |
| 46 | 170361JM | + Furniture Guard - S3001 -001 |
| 47 | 42211033 | + Upper Shell - S3001 |
| | 42211015 | + Upper Shell - JW - S3001-001 |
| 48 | 170337 | + Spring |
| 49 | 32172002 | Bag Indicator Seal |
| 50 | 51151002 | Full Bag Indicator Comp. |
| 51 | 170344HE | + Cam (2) |
| 52 | 170345DN | + Vacuum Control Button (Min.) - S3001 |
| | 170345AG | + Vacuum Control Button (Min.) - S3001 -001 |
| 53 | 38422001 | + Vacuum Control Button (Med.) - S3001 |
| | 38422002 | + Vacuum Control Button (Med.) - S3001 -001 |
| 54 | 38422006 | + Vacuum Control Button (Max.) - S3001 |
| | 38422007 | + Vacuum Control Button (Max.) - S3001 -001 |
| 55 | 47538006 | Switch Assm. Comp. |
| 56 | 162961 | Insulating Pod (Pigtail) (2) |
| 57 | 163055 | * Terminal (Pigtail) (2) |
| 58 | 38421017 | + Switch Button |
| 59 | 170370DL | + Control Panel Cover |
| | 170370JM | + Control Panel Cover |
| 60 | 51481005 | + Control Panel |
| 61 | 46312001 | + Pigtail Cord |
| 62 | 46831076 | Commutator |
| 63 | 19999 | + Ratchet |
| 64 | 38331004 | + Detent Spring |
| 65 | 170343AY | + Cord Reel Bracket |
| 66 | 51661008 | + Medallion |

PACKAGING MATERIAL

| | |
|----------|------------------|
| 58185091 | + Carton |
| 58286001 | + Top Support |
| 58343002 | + Bottom Support |
| 56513004 | + Owner Manual |

ITEMS NOT ILLUSTRATED

| | |
|----------|----------------------------------|
| 170351AW | + Hinge Leaf Upper (Upper Shell) |
|----------|----------------------------------|



| Ref. No. | Part No. | Description |
|----------|----------|---|
| 1 | 0M114169 | Rug & Floor Nozzle Assm. - AAP |
| 2 | 38646039 | Nozzle Tube - AG |
| 3 | 38615153 | + Nozzle Body - AAP(Use 43414180 Rug and Floor Nozzle) |
| 4 | 38521018 | Roller (2) |
| 5 | 31511004 | Roller Axle - AY (2) |
| 6 | 36414018 | Brush Housing |
| 7 | 166649FW | Spring (2) |
| 8 | 48443003 | Brush Back Assm. - AG |
| 9 | 21447203 | * Screw Self Tapping (2) |
| 10 | 38454004 | Brush Back Lever - MV |
| 11 | 21329105 | +* Felt Washer |
| 12 | 43434223 | Hose Assem. Comp. |
| 13 | 32458005 | Hose Connector - S1049-060, S1077-060, S1079-060 |
| | 38656007 | Hose Connector - AAP- S1075-060 |
| 14 | 12615BZ | Hose Connector Collar - S1049-060, S1077-060, S1079-060 |
| | 38671011 | Hose Connector Collar - S1075-060 |
| 15 | 32156010 | Hose Sleeve (2) |
| 16 | 43434191 | Hose Complete - ABX - S1049-060, S1077-060, S1079-060 |
| | 38671016 | + Hose Less Ends - S1075-060 |

| Ref. No. | Part No. | Description |
|----------|----------|---|
| 17 | 36116008 | Hose Connector Collar - S1049-060, |
| | 36171025 | Hose Connector Collar - S1075-060 |
| 18 | 43466044 | Hose Grip Assembly - AAP - S/C S1049-060, S1079-060 |
| | 43466054 | + Hose Grip Assm. - S1075-060, S1077-060 |
| 19 | 38711006 | Suction Control Ring - MV - S1049-060, S1079-060 |
| 20 | 51869006 | Label - S1049-060, S1079-060 |
| | 51869001 | Label - S 1075-060, S1077-060 |
| 21 | 36153009 | Latch Ring |
| 22 | 38617017 | Crevice Tool - AAP |
| 23 | 43414057 | Furniture Nozzle Assm. - AAP |
| | 38614024 | Furniture Nozzle - AAP - S1077-060 |
| 24 | 3863801P | Extension Tube - Poly - AG |
| 25 | 43414064 | Dusting Brush Assm. - AAP |
| 26 | 36433042 | + Tool Storage Rack - AAP - S1077-060, S1079-060 |

ITEMS NOT ILLUSTRATED

43414016 Furniture Brush - AG