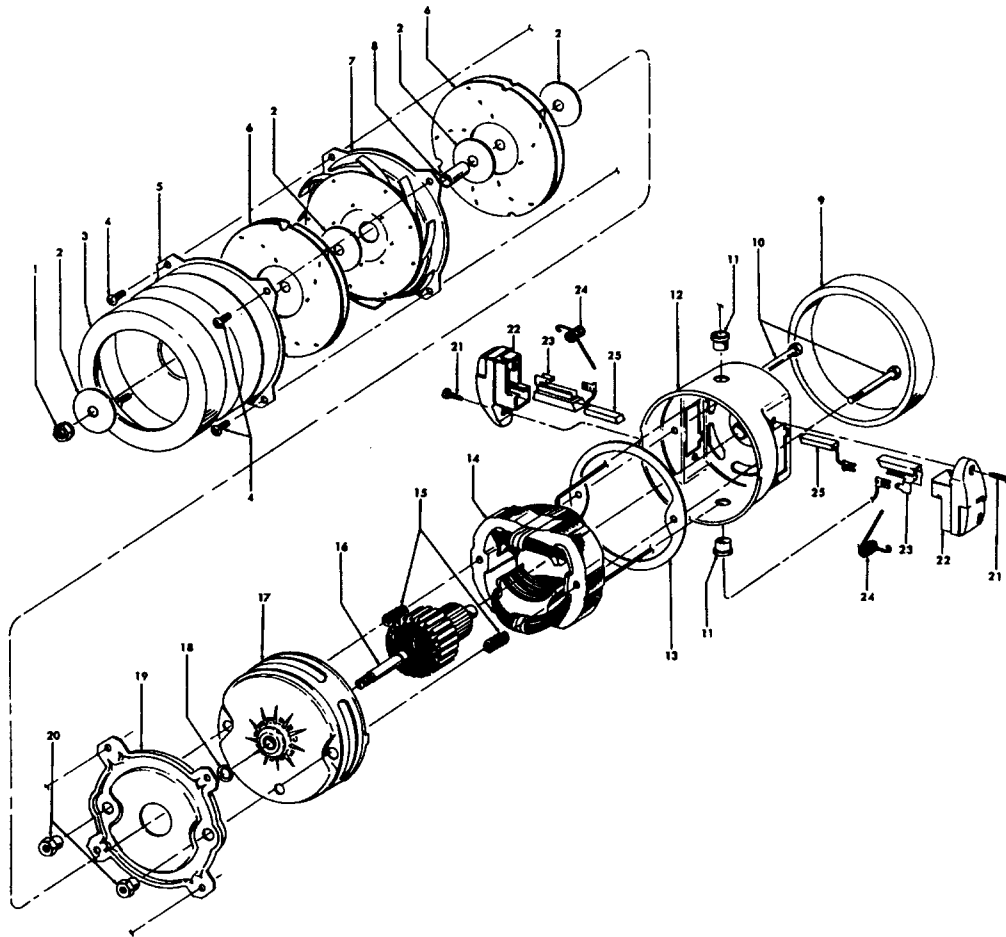


**Portapower**

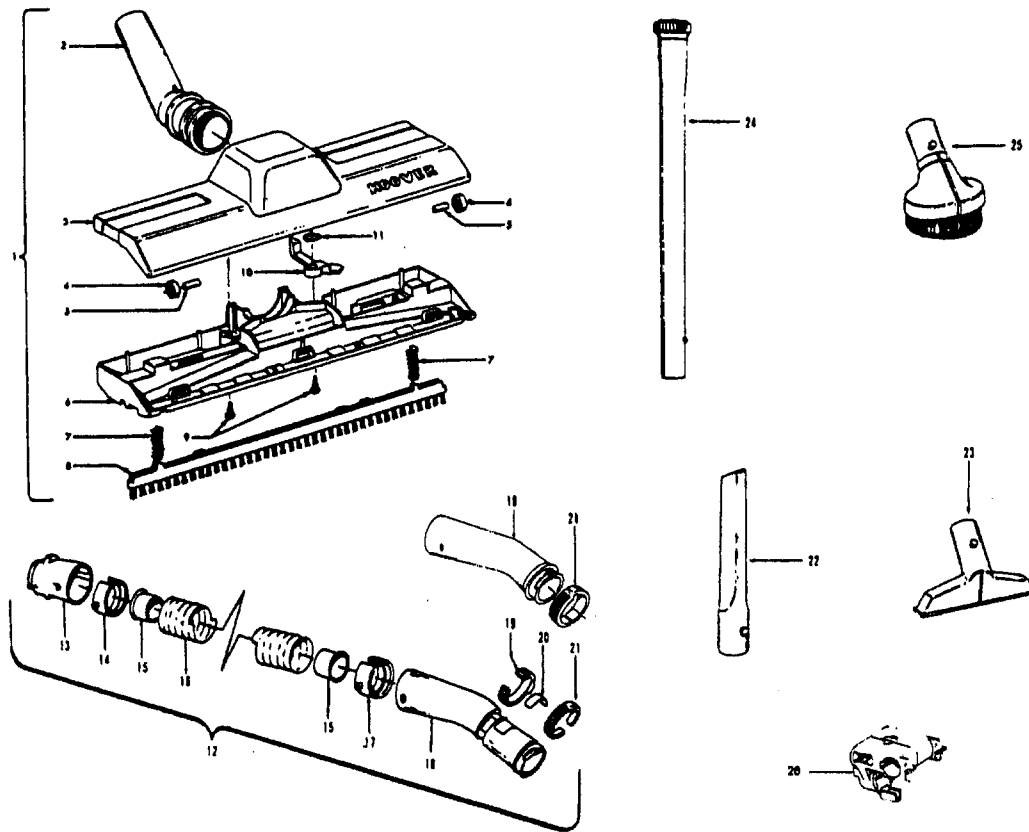
**Models S1015-075, S1029-075, S1049, S1049-022, S1049-060, S1055, S1075, S1075-060, S1077, S1079, S1079-060**

Ref. No.	Part No.	Description	Ref. No.	Part No.	Description
1	46363271	Attach. Cord Assm. - JM	20	21479573	Screw - Self Tapping (4)
2	162059AG	Diffuser Door	21	48615012	Cord Storage Strap Assm.
	162059M	+ Diffuser Door	22	15670	Strap Hook (2)
	162059JR	+ Diffuser Door		33153002	Strap Hook (2) - S1079, S1079-060
	162059JX	+ Diffuser Door	23	15668	+* Strap Buckle
	162059LB	+ Diffuser Door	24	48615022	Carrying Strap Assm.
	38768021	Diffuser Door - S1075-060		48615001	+ Carrying Strap Assm. - AG - S1079, S1079-060
3	162062AY	Hinge Pin (2)	25	38663010	Disposable Bag Support Tube - S1075, S1075-060, S1077
4	43662023	Bag Assm. Comp. - Cloth (Reusable)	26	46550AG	Disposable Bag Retainer - S1075, S1075-060, S1077
5	37223022	+ Housing Assm. R.H. - LZ	27	4010038N	Disposable Bag (5 Pk.) - S1075, S1075-060, S1077
	37223005	+ Housing Assm. R.H. - LZ		43248010	+ Wheeled Dolly Comp. - S1029-075 (See Cleaning Tool Section)
	37223103	+ Housing Assm. R.H. - JM - S1015-075	<b>PACKAGING MATERIAL</b>		
	37223152	Housing Assm. - RH - JM - S1075, S1075-060, S1029-075		58152062	+ Carton
	42222052	Housing Assm. - R.H. - ML - S1079 S1079-060		58172001	+ Carton - S1029-075, S1077
	37223067	Housing Assm. - R.H. - JM - S1049, S1049-060, S1055, S1077, S1049-022		58152055	+ Carton - S1079
6	162229M	+ Bag Door Assm.		58152077	+ Carton - S1049-060
	42227039	Bag Door Assm.		58152076	+ Carton - S1075-060
	162229JX	+ Bag Door Assm,		58152075	+ Carton - S1079-060
	42227015	Bag Door Assm. - S1075-060		58282006	+ Dolly Support - S1029-075
7	162083JM	Secondary Filter		58332006	+ Carton Support - S1029-075
8	33712005	Pressure Pad		58364016	+ Carton Support - S1049-060, S1075-060, S1079, S1079-060
9	34366001	Diffuser		56512065	+ Owner Manual
		Not Applicable - S1075, S1075-060, S1077		56512107	+ Owner Manual - S1075, S1077
10	43177018	Motor Assm. Comp.		56512134	+ Owner Manual - S1049-060, S1079-060
	43177069	Motor Assm. Comp. - S1049-022, S1049-060		56512135	+ Owner Manual - S1075-060
11	37922002	Terminal Shield - BZ			
12	38421012	Switch Button - AG			
		Not Applicable - S1075, S1075-060			
13	28177006	Switch			
14	27666702	* Terminal (Lead Wire)			
15	46216002	Lead Wire Assm. - Black			
16	12227	Insulated Terminal			
17	36215030	Cord Protector			
18	21447043	* Screw - Self Tapping (2)			
19	37223061	Housing Assm. L.H. - S1049, S1049-022, S1055 S1015-075, S1075, S1075-060, S1077			
	37223189	Housing Assm. L.H. - LB - S1029-075, S1049-060			
	37223143	Housing Assm. L.H. - ML - S1079, S1079-060			



Ref. No.	Part No.	Description
1	33426001	Nut
2	21312701	* Washer (4)
3	31328002	+ Motor Mount
4	21434224	+* Screw - Self Tapping (4)
5	37191016	Outerstage Housing
6	43566017	Fan Assem. (2)
7	43551005	Interstage Assem.
8	31742010	Fan Spacer
9	31178007	Motor Gasket
10	33421004	+ Field Lamination Bolt (2)
11	27452109	Snap Bushing (2)
	169702BZ	+ Bushing - S1049-022, S1049-060, S1075-060, S1077-033, S1077-060, S1079-060, S1127
12	42937003	Motor Housing Assem. - Upper
13	31193011	+ Air Baffle Not Applicable - S1049-060, S1075-

Ref. No.	Part No.	Description
		060, S1077-060, S1079-060, S1127
14	45311035	Field Assem. Comp.
	45311051	Field Assem. Comp. - S1049-022, S1049-060, S1077-033, S1077-060, S1127
15	167721FW	Compression Spring (2)
16	44765171	Armature Assem. Comp.
17	37191085	Motor Housing Assem. - Lower
18	31148002	Spacer
19	36322002	Interstage Mounting Plate
20	167695EF	Nut - Special (2)
21	21429406	* Screw (2)
22	167696AG	Brush Carrier (2)
23	168037	Brush Holder (2) - Use Brush Carrier 47318008 (Incl. It. 22 - 25)
24	38353004	Spring (2)
25	167681	Motor Brush & Terminal Assem.



Ref. No.	Part No.	Description
1	0M114169	Rug & Floor Nozzle Assm. - AAP
2	38646039	Nozzle Tube - AG
3	38615153	+ Nozzle Body - AAP(Use 43414180 Rug and Floor Nozzle)
4	38521018	Roller (2)
5	31511004	Roller Axle - AY (2)
6	36414018	Brush Housing
7	166649FW	Spring (2)
8	48443003	Brush Back Assm. - AG
9	21447203	* Screw Self Tapping (2)
10	38454004	Brush Back Lever - MV
11	21329105	+* Felt Washer
12	43434223	Hose Assem. Comp.
13	32458005	Hose Connector - S1049-060, S1077-060, S1079-060
	38656007	Hose Connector - AAP- S1075-060
14	12615BZ	Hose Connector Collar - S1049-060, S1077-060, S1079-060
	38671011	Hose Connector Collar - S1075-060
15	32156010	Hose Sleeve (2)
16	43434191	Hose Complete - ABX - S1049-060, S1077-060, S1079-060
	38671016	+ Hose Less Ends - S1075-060

Ref. No.	Part No.	Description
17	36116008	Hose Connector Collar - S1049-060,
	36171025	Hose Connector Collar - S1075-060
18	43466044	Hose Grip Assembly - AAP - S/C S1049-060, S1079-060
	43466054	+ Hose Grip Assm. - S1075-060, S1077-060
19	38711006	Suction Control Ring - MV - S1049-060, S1079-060
20	51869006	Label - S1049-060, S1079-060
	51869001	Label - S 1075-060, S1077-060
21	36153009	Latch Ring
22	38617017	Crevice Tool - AAP
23	43414057	Furniture Nozzle Assm. - AAP
	38614024	Furniture Nozzle - AAP - S1077-060
24	3863801P	Extension Tube - Poly - AG
25	43414064	Dusting Brush Assm. - AAP
26	36433042	+ Tool Storage Rack - AAP - S1077-060, S1079-060

ITEMS NOT ILLUSTRATED

43414016 Furniture Brush - AG