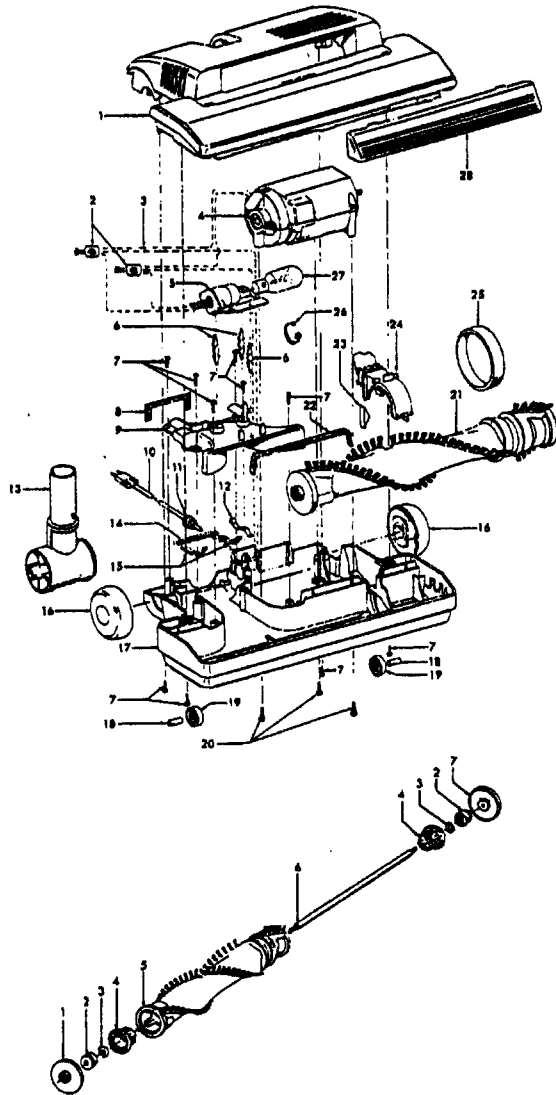


**Powernozzle 48438230 AAP - S3545, S3549, S3551, S3553, S3555, S3557, S3565,**  
**48438248 AAP - S3621**  
**48438246 AAP - S3629**  
**48438256 ABE - S3567, S3569, S3571, S3573**  
**48438071 ABE - S3563**  
**48438259 AG - S3577, S3580-050**  
**48438079 ABY - S3530**



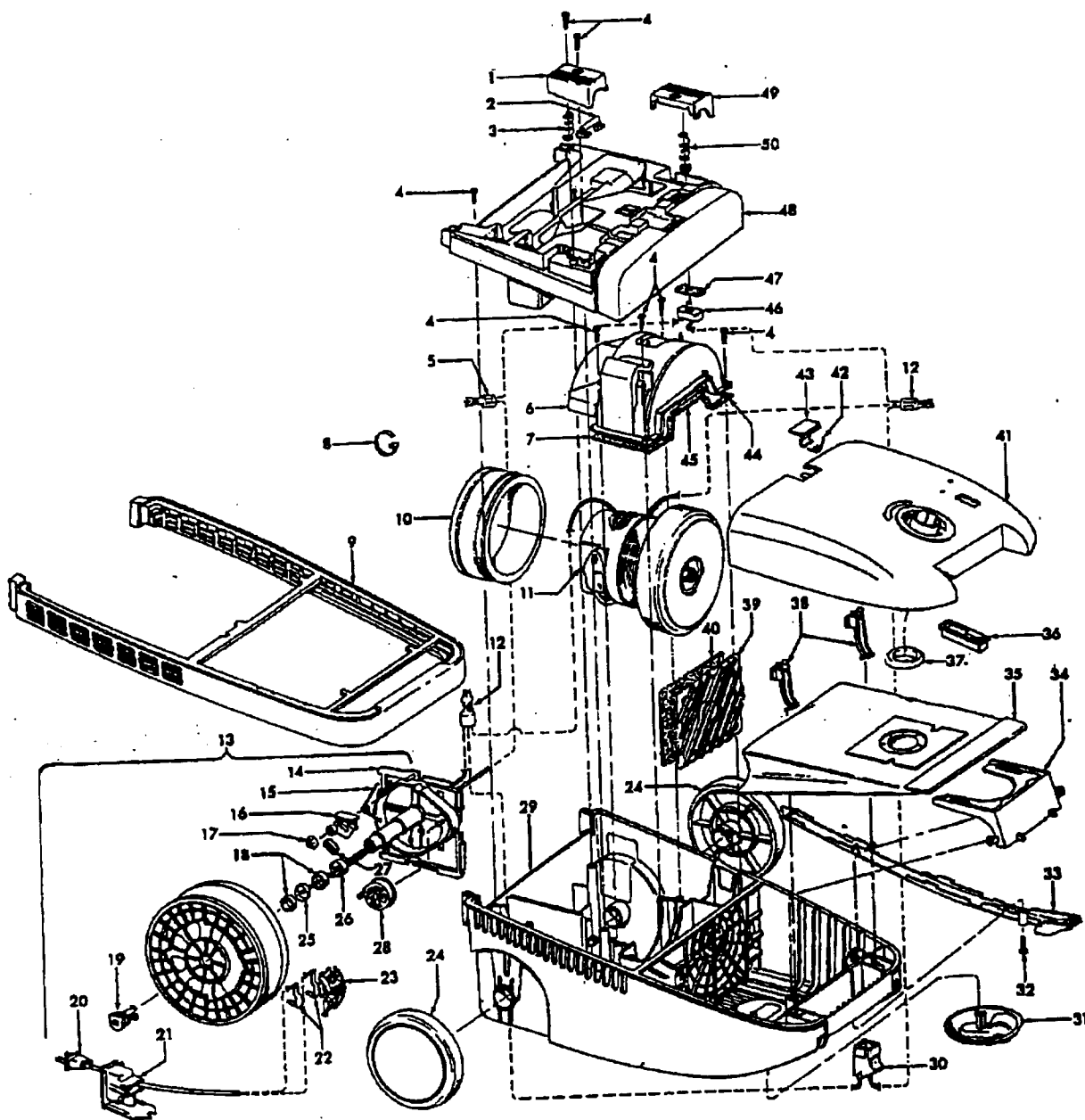
Ref. No.	Part No.	Description
1		<b>Note: All Nozzle Body Assembly's include Item 28</b>
	42252201	Nozzle Body Assem. - AAP
	42252216	Nozzle Body Assem. - ABE S3563, S3567, S3569, S3571, S3573
	42252A09	Nozzle Body Assem. - AG - S3577, S3580-050
	N/A	Nozzle Body Assem. - ABY - S3530 Use 42252A52
	42252A52	Nozzle Body Assem. AG - S3577 (Allergen Filtration Graphics)
2	18972	Insulated Terminal (2)
	12227	Insulated Terminal (2)
3	N/A	Lead Wire - White
4	43177062	Motor Assem. Comp.
5	47171020	Dirt Finder Socket Assem.
6	36218016	Insulation Grommet - AG (3)
7	21447003	* Screw-Self Tapping (8)
8	34253018	+ Rear Seal
9	42256099	+ Duct Cover Assem. - AG (Incl. Items 5,6,8,22)
10	46321088	Cord Assembly
	46321009	Cord Assembly - S3530
11	163768	Strain Relief Bushing
12	35276008	Detent Spring - FW
13	43482106	Nozzle Connector - AG
14	34112007	* Seal
15	34122014	* Seal (2)
16	43244043	Wheel Assem. - AG
17	42246115	Base Plate Assem. - MV (Incl. Items 18,19)
	42246114	Base Plate Assem. - ABR - S3567, S3569, S3571, S3573, S3563 (Incl. Items 18, 19)
	42246115	Base Plate Assem. - AG - S3530, S3580-050, S3577 (Incl. Items 18, 19)
18	31522004	Wheel Shaft - AY (2)
19	32761001	Wheel - AG (2)
20	21479801	* Screw-Self Tapping (3)
21	48414081	Agitator Assem. Comp. - AG
	48414079	Agitator Assem. Comp. - AG - S3563
22	34123039	* Duct Cover Seal
23	13261AY	Rug Nozzle Rib Shoe
24	36923008	Belt Guard
25	38528011	Belt
26	27479307	* Lead Wire Tie
27	27317307	Dirt Finder Lamp
28	39383094	+ Dirt Finder Lens - BZ

**Agitator 48414081/48414079**

Ref. No.	Part No.	Description
1	36423016	Thread Guard - RH
2	43267002	Agitator Bearing Assem. (2)
3	21347003	* Conical Washer (2)
4	N/A	+ Agitator End (2)
5	N/A	Agitator Body
6	N/A	+ Agitator Shaft
7	36423017	Thread Guard - LH - AG

Futura  
TurboPOWER 5000  
PowerMax

Models S3567, S3569, S3573  
Model S3577  
Model S3530, S3580-050



**Futura  
TurboPOWER 5000  
PowerMax**

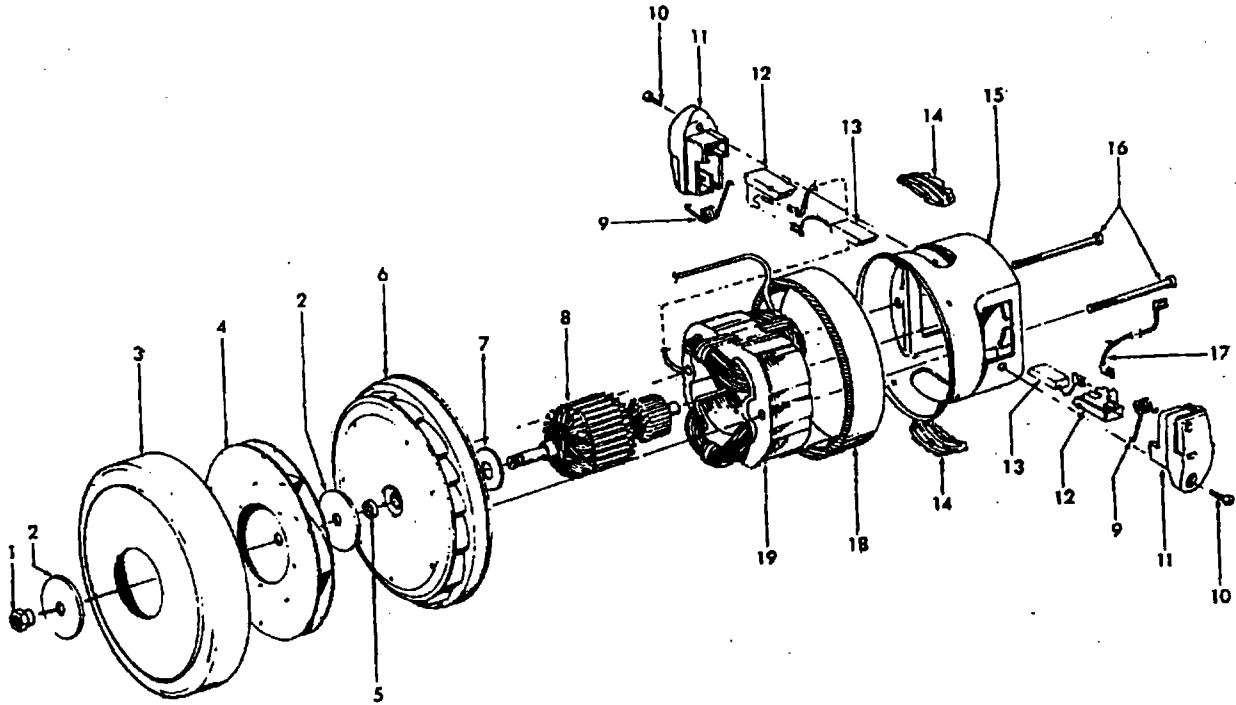
**Models S3567, S3569, S3573  
Model S3577  
Model S3530, S3580-050**

Ref. No.	Part No.	Description
1	38422155	Cord Reel Pedal - AG
2	38458034	Cord Reel Brake Arm - AG
3	38314024	Spring - FW (2)
4	21447217	* Screw (7)
5	12227	Insulated Terminal
	27618508	* Wire Connector
6	41312040	Motor Retainer - AAP (Incl. It. 7,44,45)
7	34633003	+ Retainer Seal - RH
8	27479307	* Lead Wire Tie
9	36235069	Furniture Guard - AG
10	36322031	Motor Mount
11	43576186	Motor Assem.
	43576184	Motor Assem. - S3530, S3580-050, S3577(P. 266)
12	18972	Insulated Terminal (2)
13	41911014	Cord Reel Assem.
14	N/A	Cord Reel Support - BZ
15	N/A	Torsion Spring - FW
16	N/A	Brake Lever Assem. - AAP
17	N/A	Push Nut
18	N/A	Spacer - BZ (2)
19	N/A	Retainer - AG
20	46383288	Attachment Cord Assem. - AG
21	36218018	Ferrule - AG
22	N/A	Contact Spring (2)
23	N/A	Brush Holder - BZ
24	38522065	Wheel - AG
25	N/A	Slip Ring Assem. - White
26	N/A	Slip Ring Assem. - Black
27	N/A	Brake Pad
28	N/A	Spool & Spring Assem.
29	42215084	Main Body Assem. ABU (Incl. It. 9,30,33)
	42215088	Main Body Assem. - AG - S3577 (Incl. Items 9, 30, 33)
30	46326082	Receptacle Assem. - AG
31	41432040	Wheel Carrier Assem. - AG
32	21447223	+* Screw-Self Tapping
33	36218021	Cord Channel Cover - AAP
	36218020	Cord Channel Cover - AG - S3577
34	36424010	Bag Collar Support - AG
35	4010064S	Throw Away Bag Assem. - 3 Pk.
36	51151010	Bag Indicator
37	36424012	Bag Collar Seal - AG
38	36151027	Bag Lid Hinge - AG (2)
39	37944005	Filter Retainer - AG
40	38765009	Secondary Filter
41	<b>Note: All Bag Lid Assembly's include Items 36, 37, 42, 43</b>	
	42217152	+ Bag Lid Assem. - ABC - S3567,
	42217166	Bag Lid Assem. - ABC - S3567 (Allergen Filtration Graphics)
	42212135	Bag Lid Assem. - AG - Common - S3569
	42217167	Bag Lid Assem. AAY - S3569 (Allergen Filtration Graphics)
	42217153	Bag Lid Assem. - ABM - S3573
	42217135	Bag Lid Assem. - S3577

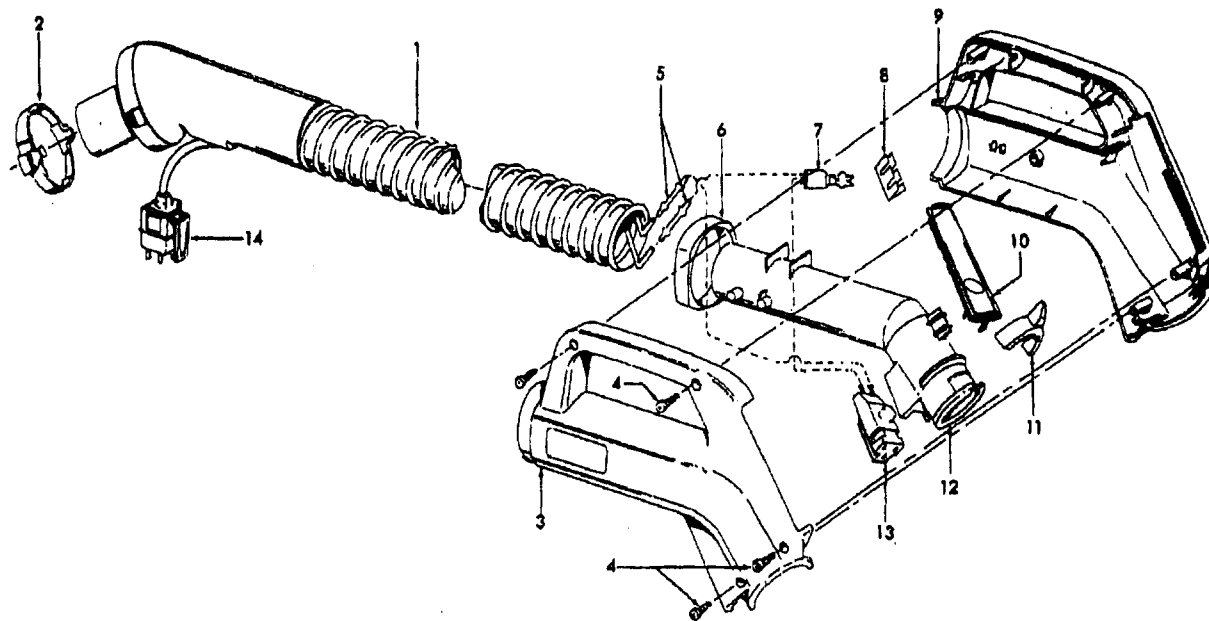
Ref. No.	Part No.	Description
	42217171	Bag Lid Assem. - AG - S3577 (Allergen Filtration Graphics)
	42217174	Bag Lid Assem. - ABY - S3530
	42217190	Bag Lid Assem. - AG - S3580-050
42	38351009	Torsion Spring - FW
43	36153040	Bag Lid Latch - AG
44	34633002	Retainer Seal - LH
45	34123040	* Retainer Seal - Center
46	28218048	Switch
47	34135014	Switch Mounting Plate - AAP
48	<b>Note: All Motor Cover Assembly's include items 1, 2, 3</b>	
	0M100194	Motor Cover Assem. - ABC - S3567
	0M100193	Motor Cover Assem. - AAY - S3569
	0M100195	Motor Cover Assem. - ABM - S3573
	0M100006	Motor Cover Assem. - AG - S3577, S3580-050
	0M100240	Motor Cover Assem. - ABY - S3530
49	38422184	Switch Pedal - AG - w/o Post
50	38314026	Spring - FW
	56513340	+ Owner Manual - S3567, S3569, (S3577 before 07/23/99)
	56513345	Owner Manual - S3530, S3580-050
	56513355	Owner Manual - S3577 (after 07/23/99)
	58175099	+ Carton
	58175116	+ Carton - S3577
	58175123	Carton - S3530
	58646153	Carton - S3580-050
	58211011	Bottom Support - Front
	58211012	+ Bottom Support - Rear
	58216013	+ Top Support
<b>CLEANING TOOLS- (P-240)</b>		
	38617017	Crevice Tool - AG
	43414057	Furniture Nozzle - AG
	43414064	Dusting Brush - AG
	43414073	Floor Brush - AG
	43453052	Ext. Tube - AX - 20
	43453098	Ext. Tube - AX - w/ storage clip
	43453023	Ext. Tube - S3530, S3580-050
	49129008	Powered Hand Tool - S3580-050
	43433107	Hose - 2W - AG - S3567, S3569, S3573, S3577 See Note Below -(P. 251)
	43433113	Hose - 2W - AG - S3530, (S3577 after 07/23/99) S3580-050 (P. 311)
	48438256	Powered Nozzle - ABE (P-253)
	48438259	Powered Nozzle - AG - S3577, S3580-050 (P 253)
	48438079	Powered Nozzle - ABY -S3530 (P 253)

Note: Model S3577 was produced with 3 hoses, the original was Dark Charcoal Gray, the second hose was black and current production uses the gas pump style hose.

# Motor Assembly




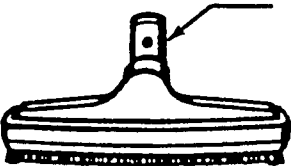



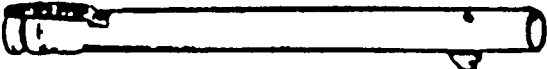


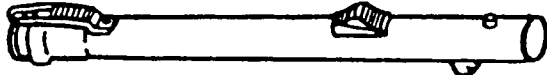
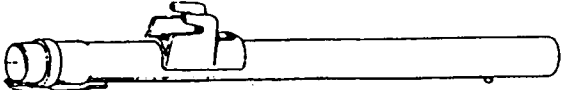
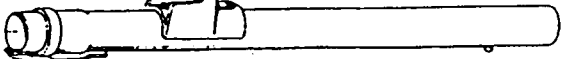


Ref. No.	Part No.	Description	Ref. No.	Part No.	Description
1	43576161	+ Motor Assem.	9	38353004	Spring (2)
2	12028	+ Nut	10	21429406	+ Screw (2)
3	21312774	+ Washer - FW (2)	11	168038AG	Brush Carrier (2)
4	37196065	Fan Cover	12	168506	Brush Holder (2)
5	43551008	Fan	13	167679	Motor Brush Assem. (2)
6	31148011	Bearing Spacer	14	169702BZ	+ Bushing (2)
7	43551030	Diffuser Assem. Comp.	15	42193025	Motor Housing Assem.
8	N/A	Armature Assem.	16	21447222	+ Field Lamination Bolt (2)
			17	46176001	Lead Wire Assem.
			18	36322031	Motor Gasket
			19	45311048	Field Assem.



Ref. No.	Part No.	Description
1	43433113	Hose Assembly - 2W - AG
2	36153038	Hose Release Latch
3	39461018	Hose Grip - RH - AG
4	21447124	+ Screw - Self Tapping (4)
5	27613002	Splice (2)
6	36131087	Retaining Ring - ABR
7	18972	Insulated Terminal
8	36913030	* Insulator
9	39461017	Hose Grip - LH - AG
10	47551012	Grip Control Panel Assembly
	51865017	Nameplate - Grip Control Panel
11	36153029	Latch Ring - AG
12	38646081	Inner Tube - AG
13	46325032	Connector - BZ
14	36152029	Plug Latch - AG
	40300051	Cord Repair Kit - 2W

# Cleaning Tools - Futura, Spectrum, Dimension, WindTunnel

	38617017	Crevice Tool - AG
	43414057 43414141	Furniture Nozzle - AG Furniture Nozzle - ABR
	43414064	Dusting Brush - AG
	38644020 38644040	Swivel Connector - AG Swivel Connector - AAP
	43414073	Floor Brush - AG
	48447001	+ Brush Back
	36172584	Cord/Wand Clip
	43453052 43453027 43453058	Ext. Tube - 20 - AX Ext. Tube + Ext. Tube - BL 20 w/o Cord Clip
	43453023	Ext. Tube - AX 20
	43453095	Ext. Tube - AX 20 (Black Storage Clip) (Spectrum)
	43453098	Ext. Tube - AX 20 (Gray Storage Clip) (Futura)
	43453099	Ext. Tube - AX 20 (Black Storage Clip) (WindTunnel Canister)
	3863801P	Extension Tube - Poly - AG