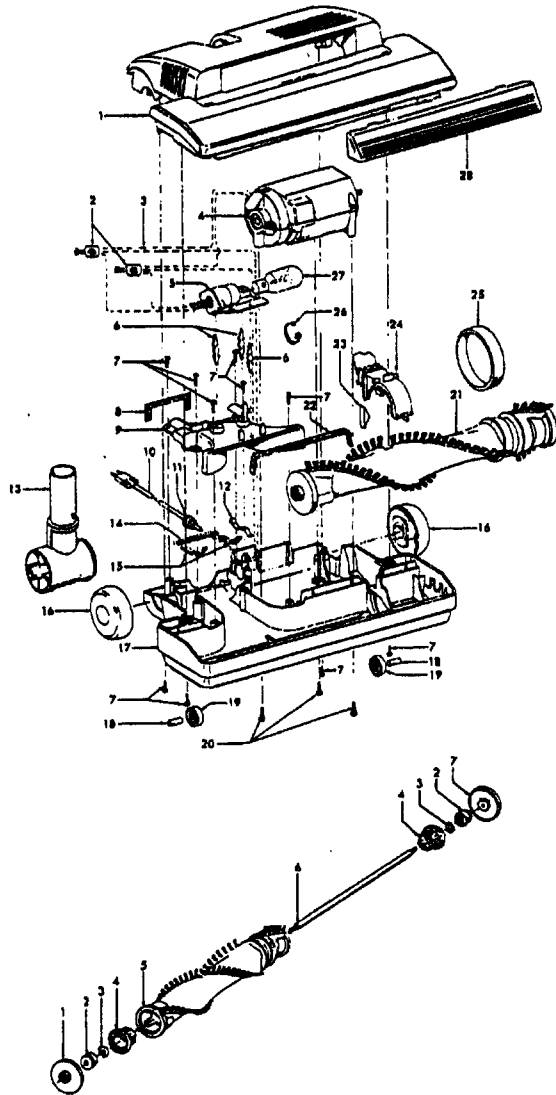


Powernozzle 48438230 AAP - S3545, S3549, S3551, S3553, S3555, S3557, S3565,
48438248 AAP - S3621
48438246 AAP - S3629
48438256 ABE - S3567, S3569, S3571, S3573
48438071 ABE - S3563
48438259 AG - S3577, S3580-050
48438079 ABY - S3530



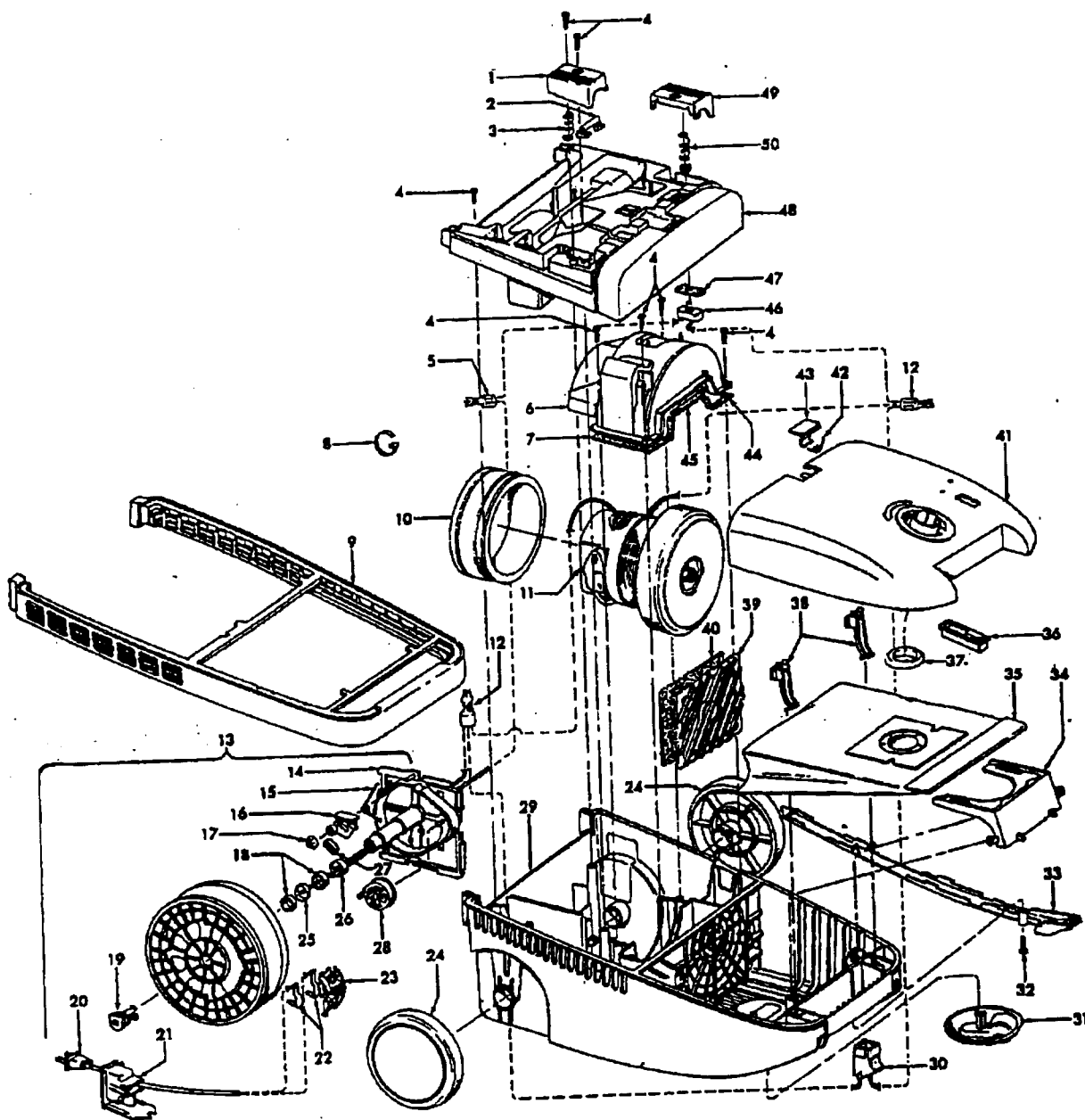
Ref. No.	Part No.	Description
1		Note: All Nozzle Body Assembly's include Item 28
	42252201	Nozzle Body Assem. - AAP
	42252216	Nozzle Body Assem. - ABE S3563, S3567, S3569, S3571, S3573
	42252A09	Nozzle Body Assem. - AG - S3577, S3580-050
	N/A	Nozzle Body Assem. - ABY - S3530 Use 42252A52
	42252A52	Nozzle Body Assem. AG - S3577 (Allergen Filtration Graphics)
2	18972	Insulated Terminal (2)
	12227	Insulated Terminal (2)
3	N/A	Lead Wire - White
4	43177062	Motor Assem. Comp.
5	47171020	Dirt Finder Socket Assem.
6	36218016	Insulation Grommet - AG (3)
7	21447003	* Screw-Self Tapping (8)
8	34253018	+ Rear Seal
9	42256099	+ Duct Cover Assem. - AG (Incl. Items 5,6,8,22)
10	46321088	Cord Assembly
	46321009	Cord Assembly - S3530
11	163768	Strain Relief Bushing
12	35276008	Detent Spring - FW
13	43482106	Nozzle Connector - AG
14	34112007	* Seal
15	34122014	* Seal (2)
16	43244043	Wheel Assem. - AG
17	42246115	Base Plate Assem. - MV (Incl. Items 18,19)
	42246114	Base Plate Assem. - ABR - S3567, S3569, S3571, S3573, S3563 (Incl. Items 18, 19)
	42246115	Base Plate Assem. - AG - S3530, S3580-050, S3577 (Incl. Items 18, 19)
18	31522004	Wheel Shaft - AY (2)
19	32761001	Wheel - AG (2)
20	21479801	* Screw-Self Tapping (3)
21	48414081	Agitator Assem. Comp. - AG
	48414079	Agitator Assem. Comp. - AG - S3563
22	34123039	* Duct Cover Seal
23	13261AY	Rug Nozzle Rib Shoe
24	36923008	Belt Guard
25	38528011	Belt
26	27479307	* Lead Wire Tie
27	27317307	Dirt Finder Lamp
28	39383094	+ Dirt Finder Lens - BZ

Agitator 48414081/48414079

Ref. No.	Part No.	Description
1	36423016	Thread Guard - RH
2	43267002	Agitator Bearing Assem. (2)
3	21347003	* Conical Washer (2)
4	N/A	+ Agitator End (2)
5	N/A	Agitator Body
6	N/A	+ Agitator Shaft
7	36423017	Thread Guard - LH - AG

Futura
TurboPOWER 5000
PowerMax

Models S3567, S3569, S3573
Model S3577
Model S3530, S3580-050



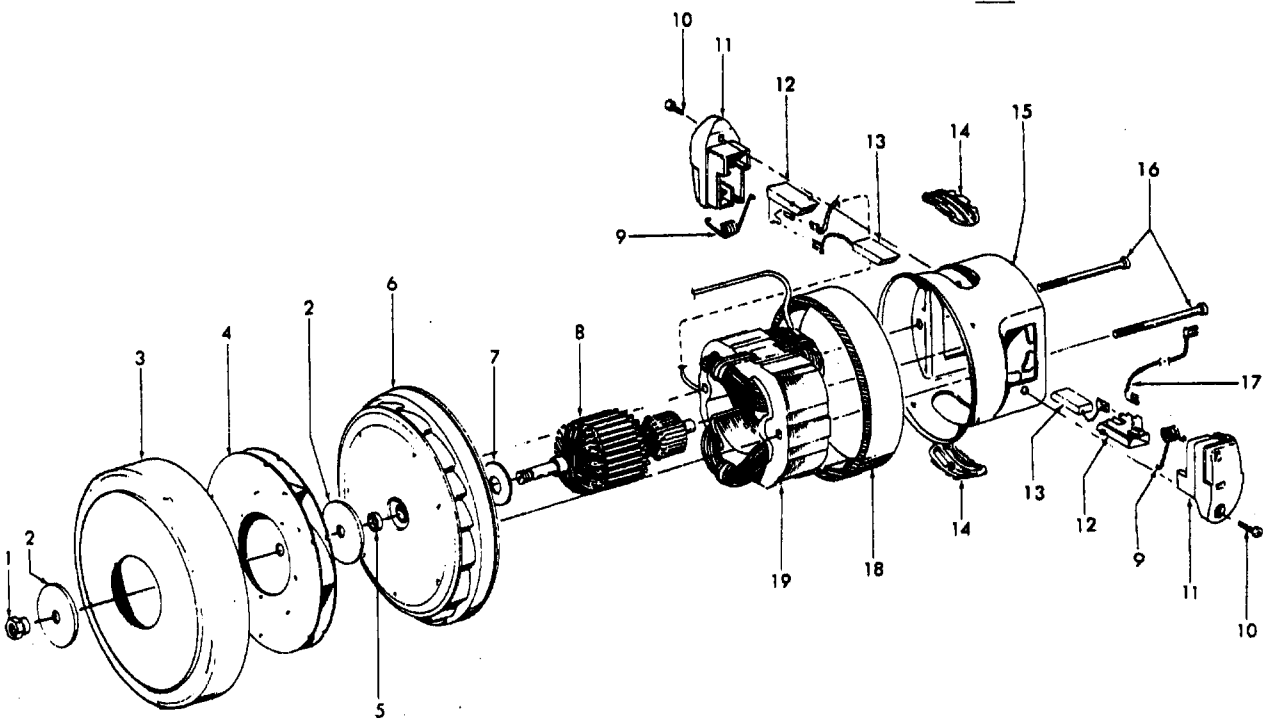
**Futura
TurboPOWER 5000
PowerMax**

**Models S3567, S3569, S3573
Model S3577
Model S3530, S3580-050**

Ref. No.	Part No.	Description
1	38422155	Cord Reel Pedal - AG
2	38458034	Cord Reel Brake Arm - AG
3	38314024	Spring - FW (2)
4	21447217	* Screw (7)
5	12227	Insulated Terminal
	27618508	* Wire Connector
6	41312040	Motor Retainer - AAP (Incl. It. 7,44,45)
7	34633003	+ Retainer Seal - RH
8	27479307	* Lead Wire Tie
9	36235069	Furniture Guard - AG
10	36322031	Motor Mount
11	43576186	Motor Assem.
	43576184	Motor Assem. - S3530, S3580-050, S3577(P. 266)
12	18972	Insulated Terminal (2)
13	41911014	Cord Reel Assem.
14	N/A	Cord Reel Support - BZ
15	N/A	Torsion Spring - FW
16	N/A	Brake Lever Assem. - AAP
17	N/A	Push Nut
18	N/A	Spacer - BZ (2)
19	N/A	Retainer - AG
20	46383288	Attachment Cord Assem. - AG
21	36218018	Ferrule - AG
22	N/A	Contact Spring (2)
23	N/A	Brush Holder - BZ
24	38522065	Wheel - AG
25	N/A	Slip Ring Assem. - White
26	N/A	Slip Ring Assem. - Black
27	N/A	Brake Pad
28	N/A	Spool & Spring Assem.
29	42215084	Main Body Assem. ABU (Incl. It. 9,30,33)
	42215088	Main Body Assem. - AG - S3577 (Incl. Items 9, 30, 33)
30	46326082	Receptacle Assem. - AG
31	41432040	Wheel Carrier Assem. - AG
32	21447223	+* Screw-Self Tapping
33	36218021	Cord Channel Cover - AAP
	36218020	Cord Channel Cover - AG - S3577
34	36424010	Bag Collar Support - AG
35	4010064S	Throw Away Bag Assem. - 3 Pk.
36	51151010	Bag Indicator
37	36424012	Bag Collar Seal - AG
38	36151027	Bag Lid Hinge - AG (2)
39	37944005	Filter Retainer - AG
40	38765009	Secondary Filter
41	Note: All Bag Lid Assembly's include Items 36, 37, 42, 43	
	42217152	+ Bag Lid Assem. - ABC - S3567,
	42217166	Bag Lid Assem. - ABC - S3567 (Allergen Filtration Graphics)
	42212135	Bag Lid Assem. - AG - Common - S3569
	42217167	Bag Lid Assem. AAY - S3569 (Allergen Filtration Graphics)
	42217153	Bag Lid Assem. - ABM - S3573
	42217135	Bag Lid Assem. - S3577

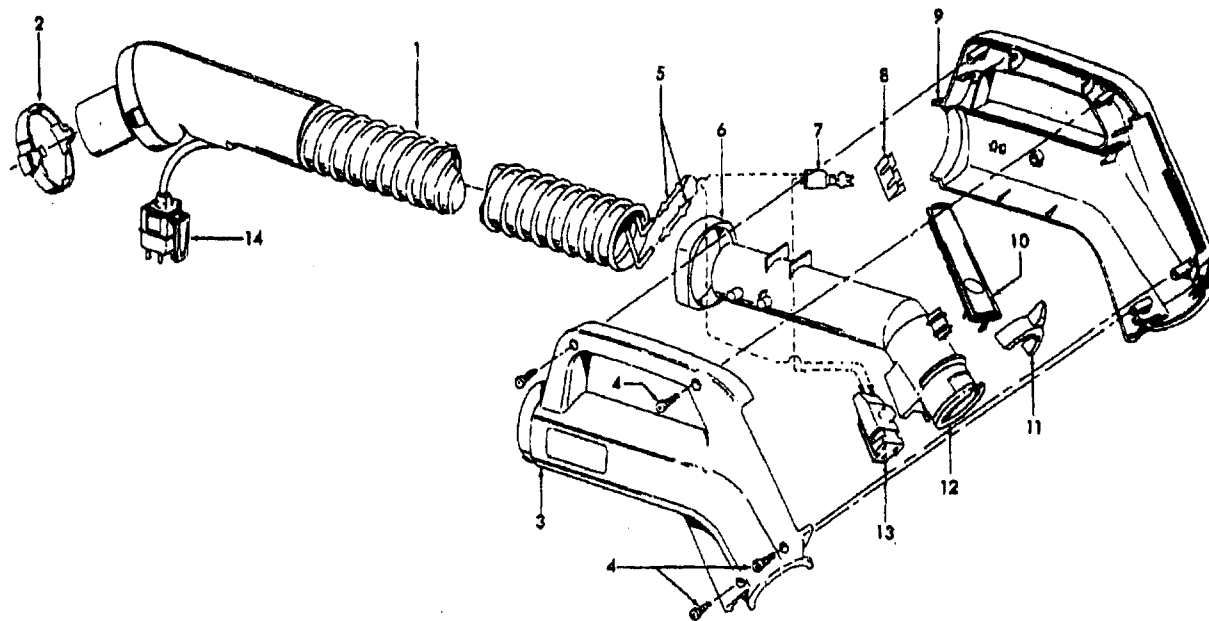
Ref. No.	Part No.	Description
	42217171	Bag Lid Assem. - AG - S3577 (Allergen Filtration Graphics)
	42217174	Bag Lid Assem. - ABY - S3530
	42217190	Bag Lid Assem. - AG - S3580-050
42	38351009	Torsion Spring - FW
43	36153040	Bag Lid Latch - AG
44	34633002	Retainer Seal - LH
45	34123040	* Retainer Seal - Center
46	28218048	Switch
47	34135014	Switch Mounting Plate - AAP
48	Note: All Motor Cover Assembly's include items 1, 2, 3	
	0M100194	Motor Cover Assem. - ABC - S3567
	0M100193	Motor Cover Assem. - AAY - S3569
	0M100195	Motor Cover Assem. - ABM - S3573
	0M100006	Motor Cover Assem. - AG - S3577, S3580-050
	0M100240	Motor Cover Assem. - ABY - S3530
49	38422184	Switch Pedal - AG - w/o Post
50	38314026	Spring - FW
	56513340	+ Owner Manual - S3567, S3569, (S3577 before 07/23/99)
	56513345	Owner Manual - S3530, S3580-050
	56513355	Owner Manual - S3577 (after 07/23/99)
	58175099	+ Carton
	58175116	+ Carton - S3577
	58175123	Carton - S3530
	58646153	Carton - S3580-050
	58211011	Bottom Support - Front
	58211012	+ Bottom Support - Rear
	58216013	+ Top Support
CLEANING TOOLS- (P-240)		
	38617017	Crevice Tool - AG
	43414057	Furniture Nozzle - AG
	43414064	Dusting Brush - AG
	43414073	Floor Brush - AG
	43453052	Ext. Tube - AX - 20
	43453098	Ext. Tube - AX - w/ storage clip
	43453023	Ext. Tube - S3530, S3580-050
	49129008	Powered Hand Tool - S3580-050
	43433107	Hose - 2W - AG - S3567, S3569, S3573, S3577 See Note Below -(P. 251)
	43433113	Hose - 2W - AG - S3530, (S3577 after 07/23/99) S3580-050 (P. 311)
	48438256	Powered Nozzle - ABE (P-253)
	48438259	Powered Nozzle - AG - S3577, S3580-050 (P 253)
	48438079	Powered Nozzle - ABY -S3530 (P 253)

Note: Model S3577 was produced with 3 hoses, the original was Dark Charcoal Gray, the second hose was black and current production uses the gas pump style hose.






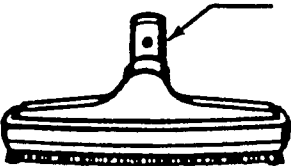



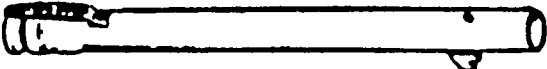
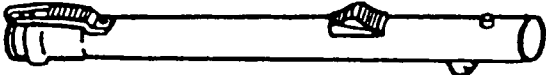
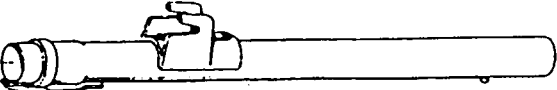
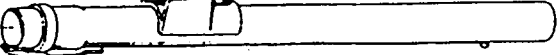

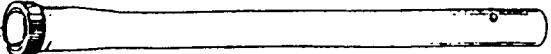
Ref. No.	Part No.	Description
	43576184	Motor Assem. (Molded Diffuser)
	43576192	Motor Assem. - S3630, S3639, S3646, S3646-020, S3649, S3655, S3661
1	12028--	+ Nut
2	21312774	+ Washer - FW (2)
3	37196065	Fan Cover
4	43551008	Fan
5	31148009	Bearing Spacer (Use w/Die Cast Diffuser)
	31148011	Bearing Spacer (Use w/Molded Diffuser)
6	43551029	+ Diffuser Assem. Comp. (Molded)
7	31165003	+* Bearing Retainer Plate (Die Cast Diffuser)
8	44765138	Armature Assem.
	44765241	Armature Assem. - S3630, S3646, S3655
9	38353004	Spring (2)
10	21429406	* Screw (2)
11	167696AG	Brush Carrier (2)

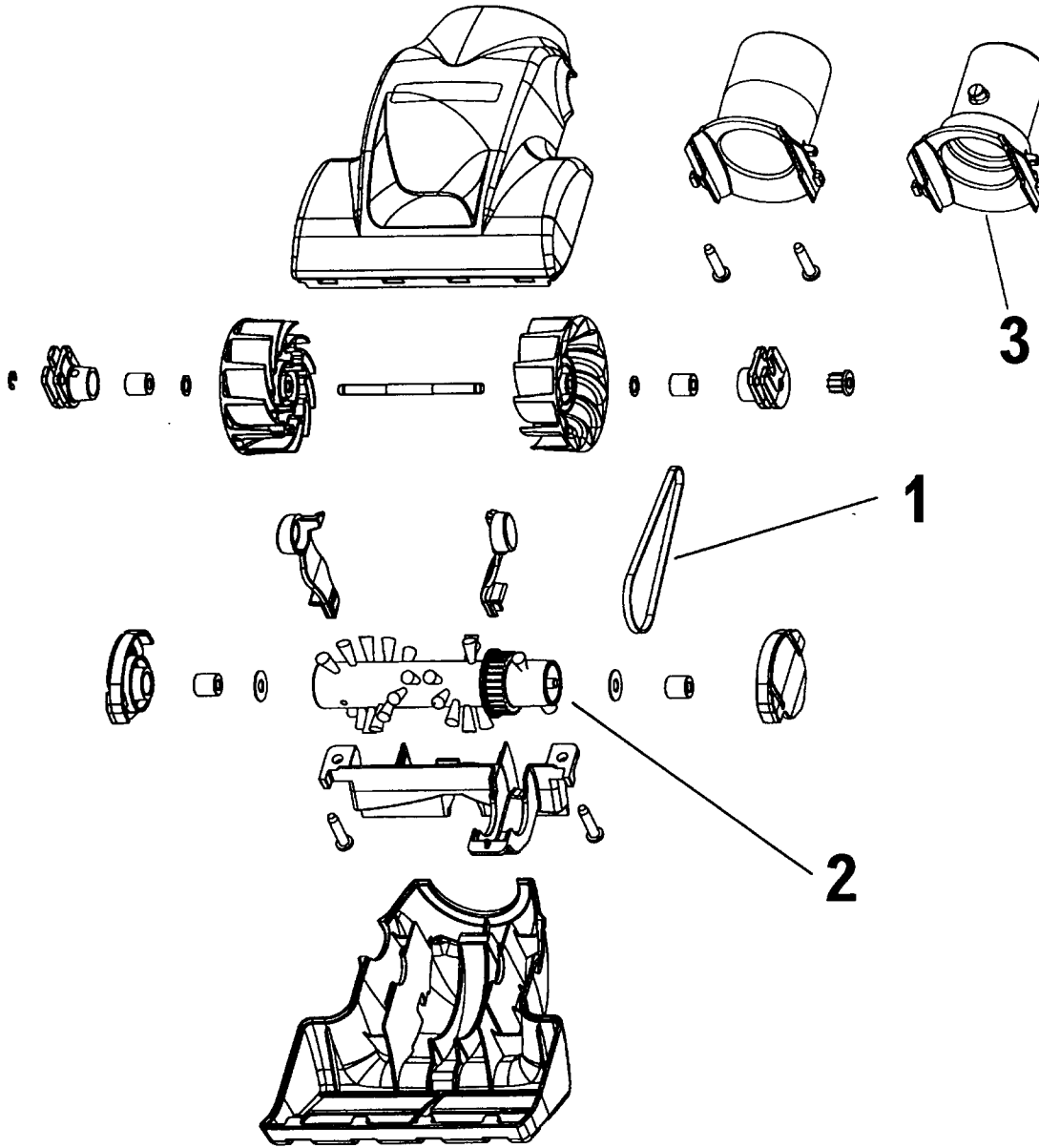
Ref. No.	Part No.	Description
12	N/A	Brush Holder (2) - Use Brush Carrier Assem. 47318008 (Incl. lt. 9, 11, 12, 13)
13	167681 47315011	Motor Brush Assm. (2) Motor Brush Assm. (2) - S3630, S3646, S3655
14	169702BZ	+ Bushing (2)
15	42193025	Motor Housing Assem.
16	36112006	Field Lamination Bolt (2) (Die Cast Diffuser)
	21447222	+ Field Lamination Bolt (2) (Phenolic Diffuser)
	21479573	Screw (2) - S3630, S3646, S3655
17	46176001	Lead Wire Assem.
18	36322031	Motor Gasket
19	45311051	Field Assem.



Ref. No.	Part No.	Description
1	43433113	Hose Assembly - 2W - AG
2	36153038	Hose Release Latch
3	39461018	Hose Grip - RH - AG
4	21447124	+ Screw - Self Tapping (4)
5	27613002	Splice (2)
6	36131087	Retaining Ring - ABR
7	18972	Insulated Terminal
8	36913030	* Insulator
9	39461017	Hose Grip - LH - AG
10	47551012	Grip Control Panel Assembly
	51865017	Nameplate - Grip Control Panel
11	36153029	Latch Ring - AG
12	38646081	Inner Tube - AG
13	46325032	Connector - BZ
14	36152029	Plug Latch - AG
	40300051	Cord Repair Kit - 2W

Cleaning Tools - Futura, Spectrum, Dimension, WindTunnel

	38617017 Crevice Tool - AG
	43414057 Furniture Nozzle - AG 43414141 Furniture Nozzle - ABR
	43414064 Dusting Brush - AG
	38644020 Swivel Connector - AG 38644040 Swivel Connector - AAP
	43414073 Floor Brush - AG
	48447001 + Brush Back
	36172584 Cord/Wand Clip
	43453052 Ext. Tube - 20 - AX 43453027 Ext. Tube 43453058 + Ext. Tube - BL 20 w/o Cord Clip
	43453023 Ext. Tube - AX 20
	43453095 Ext. Tube - AX 20 (Black Storage Clip) (Spectrum)
	43453098 Ext. Tube - AX 20 (Gray Storage Clip) (Futura)
	43453099 Ext. Tube - AX 20 (Black Storage Clip) (WindTunnel Canister)
	3863801P Extension Tube - Poly - AG



Ref: No.	Part No.	Description
	49129008	Turbine Driven Hand Tool Complete-Sapphire - S3639, S3649
	49129009	Turbine Driven Hand Tool Complete - Dark Spruce - S3661
1.	38528037	Belt
2.	48414088	Agitator Assembly
3.	38632012	Connector