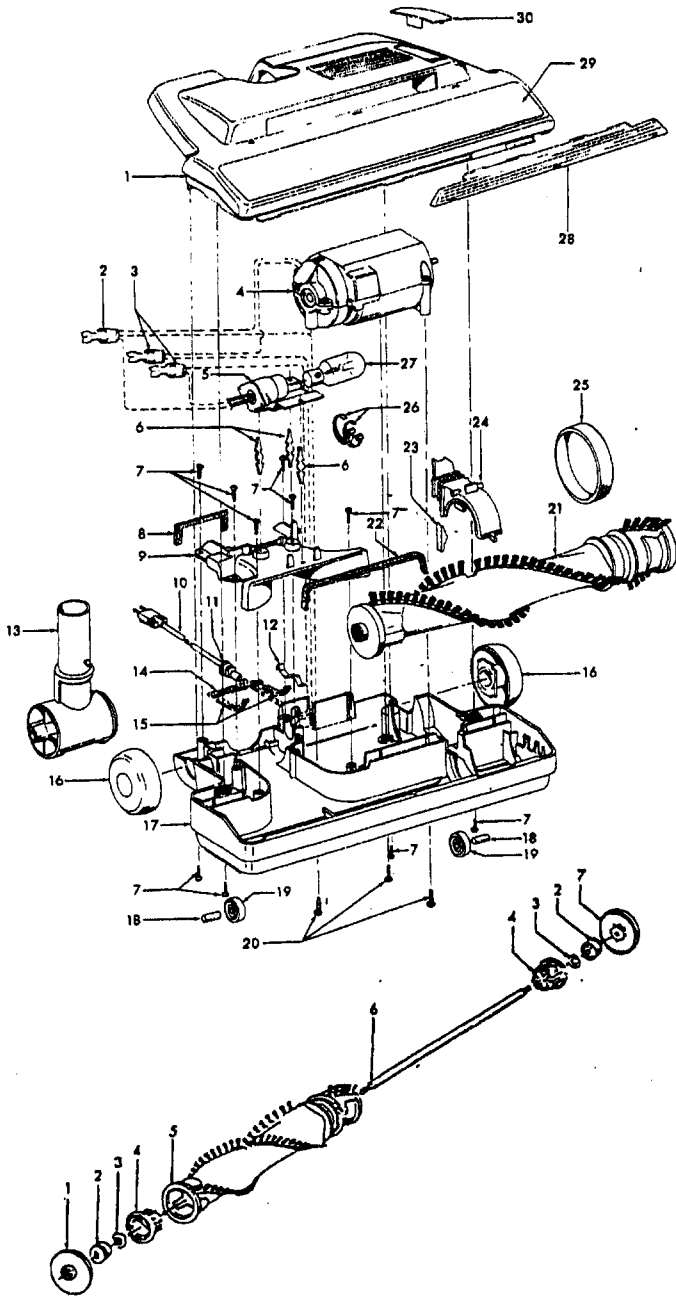


Powernozzle -

48438265 ABR - S3601
 48438090 ABY - S3607
 48438054 ABM - S3611
 48438266 AG - S3614

48438051 AAY- S3603-040, S3603
 48438047 ABM - S3609
 48438064 AG - S3613
 48438267 ADJ - S3606

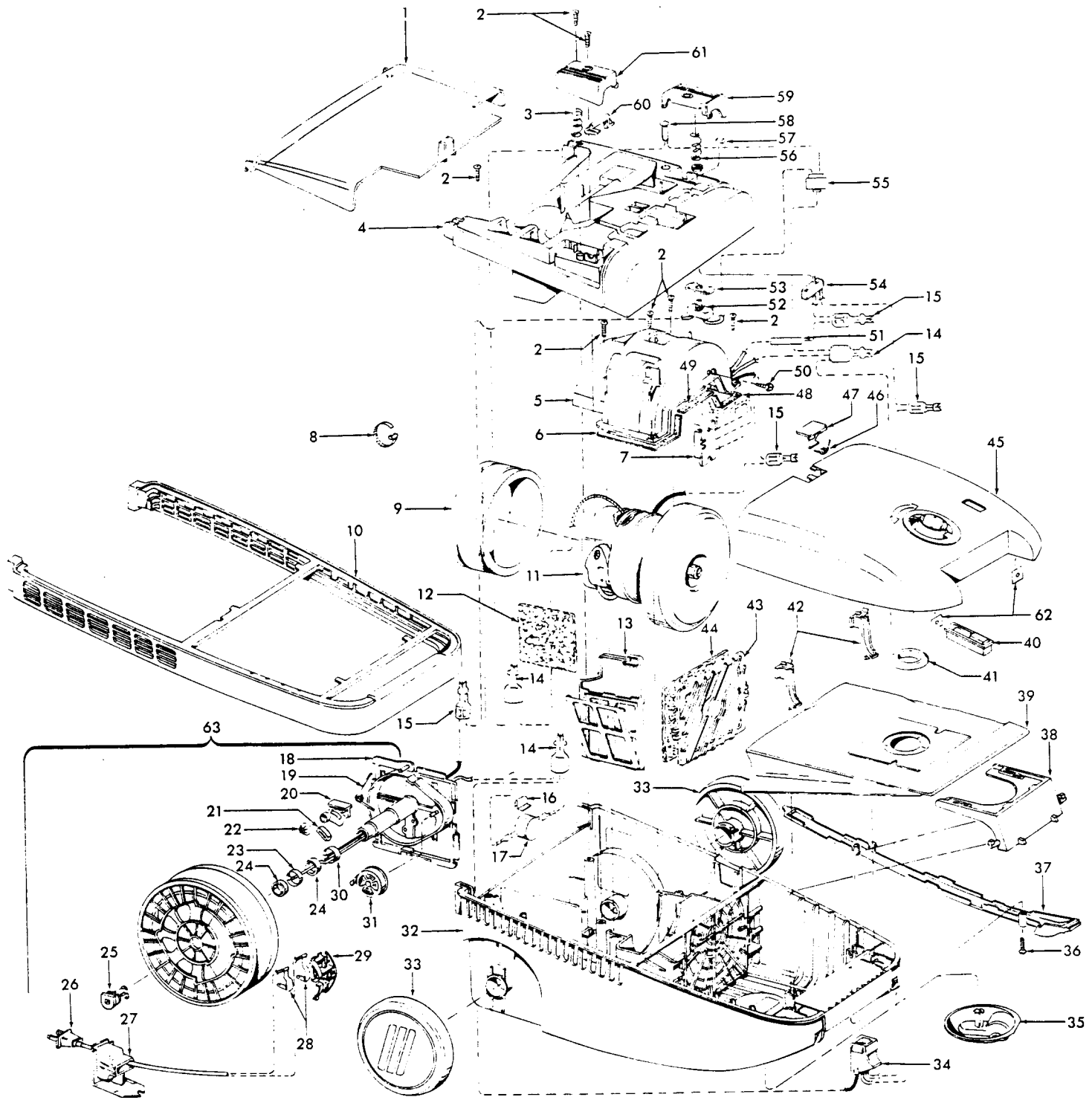
48438048- AG S3610, S3615
 48438082 ABM - S3620
 48438274 - AG - S3612



| Ref. No. | Part No | Description |
|----------|----------|-----------------------------------------------------------------------------------|
| 1 | 42252344 | Nozzle Body Assem. - S3603, S3603-040 (incl. Items 28,29,30) |
| | 42252345 | Nozzle Body Assem. - S3609 (incl. Items 28,29,30) |
| | 42252346 | Nozzle Body Assem. - AG -S3611, S3612, S3613, S3615, S3620 (Incl. Items 28,29,30) |
| | N/A | Nozzle Body Assem. - S3601,S3607, S3610, S3614 use 42252346 |
| | 37241163 | Nozzle Body Assem. - S3606 (Incl. It. 28, 29, 30) |
| 2 | 18972 | Insulated Terminal |
| 3 | 12227 | Insulated Terminal (2) |
| 4 | 43177062 | Motor Assem. Comp. |
| 5 | 47171020 | Dirt Finder Socket Assem. |
| 6 | 36218016 | Isolation Grommet - AG (3) |
| 7 | 21447003 | * Screw - Self Tapping (10) |
| 8 | 34253018 | + Rear Seal |
| 9 | 42256099 | + Duct Cover Assem. (Incl. Items 5,6,8,22) |
| 10 | 46521021 | Cord Assem. - 3W - AG |
| | 46321009 | Cord Assem. - 2W - S3601, S3607, S3614 S3612 |
| 11 | 163768 | Strain Relief Bushing |
| 12 | 35276008 | Detent Spring |
| 13 | 43482106 | Nozzle Conn. Assem. - AG |
| 14 | 34112007 | * Seal |
| 15 | 34122014 | * Seal (2) |
| 16 | 43244043 | Wheel Assem. AG (2) |
| 17 | 42246114 | Base Plate Assem. - ABR (Incl. Items 18,19) |
| | 42246115 | Base Plate Assem. - AG (Incl. Items 18, 19) |
| 18 | 31522004 | Wheel Shaft - AY (2) |
| 19 | 32761001 | Wheel - AG (2) |
| 20 | 21479801 | * Screw - Self Tapping (3) |
| 21 | 48414081 | Agitator Assem. Comp. |
| 22 | 34123039 | * Duct Cover Seal |
| 23 | 13261AY | * Rug Nozzle Rib Shoe |
| 24 | 36923008 | Belt Guard |
| 25 | 38528011 | Belt |
| 26 | 27479307 | * Lead Wire Tie |
| 27 | 27317307 | Dirt Finder Lamp |
| 28 | 39383105 | + Dirt Finder Lens - AAN |
| 29 | 52125135 | Nameplate |
| | 52125141 | Nameplate - S3603-040, S3610, S3611 S3620, S3606 |
| | 52125149 | Nameplate - S3614 |
| | N/A | Nameplate - S3613 |
| | N/A | Nameplate - S3612 |
| 30 | 48111010 | Belt Lens |
| | 39383096 | Belt lens Cover - S3606 |

ITEMS NOT ILLUSTRATED
 39385007

| | | |
|--------------------------|----------|-----------------------------|
| | | Reflector |
| Agitator 48414081 | | |
| 1 | 36423016 | Thread Guard - RH |
| 2 | 43267002 | Agitator Bearing Assem. (2) |
| 3 | 21347003 | * Conical Washer (2) |
| 4 | 36422022 | Agitator End (2) |
| 5 | N/A | Agitator Body |
| 6 | 32724013 | + Agitator Shaft |
| 7 | 36423017 | Thread Guard - LH - AG |



| Ref. No. | Part No. | Description | Ref. No. | Part No. | Description |
|----------|----------|-------------------------------------------------------|---------------------------------|----------|-------------------------------------------------------------|
| 1 | 37215180 | Tool Lid - AAN | 41 | 36424012 | Bag Collar Seal - AG |
| 2 | 21447217 | * Screw (7) | 42 | 36151027 | Bag Lid Hinge - AG (2) |
| 3 | 38314024 | Spring - FW | 43 | 37944005 | Filter Retainer - AG |
| 4 | 41426107 | Motor Cover Assm. - ABM (Incl. Items 3,60,61) | 44 | 38765009 | Secondary Filter |
| 5 | 41312048 | Motor Retainer Assm. (incl. Items 6,7,48,49,50,51) | 45 | 42217068 | Bag Lid Assm. - ABM (Incl. Item 40,41,46,47,62) |
| 6 | 34633003 | + Retainer Seal - RH Included w/Item 5 | 46 | 38351009 | Torsion Spring |
| 7 | | | 47 | 36153052 | Bag Lid Latch - ABM |
| 8 | 27479307 | * Lead Wire Tie | 48 | 34633002 | Retainer Seal - LH |
| 9 | 36322031 | Motor Mount | 49 | 34123040 | Retainer Seal - Center |
| 10 | 36235083 | Furniture Guard - ABR | 50 | 21466732 | +* Screw - Self Tapping Included w/Item 5 |
| 11 | 43576116 | Motor Assm. (P - 235) | 51 | | |
| 12 | 34174012 | * Exhaust Filter | 52 | 28212026 | Switch - with Leads |
| 13 | 38769019 | Exhaust Filter Cassette - AAU | | 28218048 | Switch - with Terminals |
| 14 | 18972 | Insulated Terminal (2) | 53 | 34135014 | Switch Mounting Plate - AAP |
| 15 | 12227 | Insulated Terminal (2) | 54 | 28179102 | Slide Rheostat |
| 16 | 21378160 | Retaining Clip | 55 | 27617106 | + Connector |
| 17 | 28382035 | Thermal Protector | 56 | 38314022 | Spring - FW |
| 18 | N/A | Cord Reel Support - BZ | 57 | 38421041 | + Button - AAU |
| 19 | N/A | Torsion Spring - FW | 58 | 27343250 | Power Light |
| 20 | N/A | Brake Lever - AAP | 59 | 38422159 | Switch Pedal - AG |
| 21 | N/A | Brake Pad | | 38422184 | Switch Pedal - AAP - w/o Post (Use with 28218048 Switch) |
| 22 | N/A | Push Nut | 60 | 38458034 | Cord Reel Brake Arm - AG |
| 23 | N/A | Slip Ring Assm. - White | 61 | 38422155 | Cord Reel Pedal - AG |
| 24 | N/A | Spacer - BZ (2) | 62 | 21378159 | Speed Clip (2) |
| 25 | N/A | Retainer - AG | 63 | 41911014 | Cord Reel Assm. |
| 26 | 46383288 | Cord | | | |
| 27 | 36218018 | Ferrule - AG | | 56513333 | + Owner Manual |
| 28 | N/A | Contact Spring (2) | | 58175088 | + Carton |
| 29 | N/A | Brush Holder - BZ | | 58211011 | Bottom Support - Front |
| 30 | N/A | Slip Ring Assm. - Black | | 58211012 | + Bottom Support - Rear |
| 31 | N/A | Spool & Spring Assm. | | 58216013 | + Top Support |
| 32 | 42215089 | + Main Body Assm. (incl. Items 10,16,17,34,37) | CLEANING TOOLS (P - 240) | | |
| 33 | 38522065 | Wheel - AG (2) | | 38617017 | Crevice Tool - AG |
| 34 | 46526015 | Receptacle Assm. - AG | | 43414141 | Furniture Nozzle - ABR |
| 35 | 41432040 | Wheel Carrier Assm. - AG | | 43414064 | Dusting Brush - AG |
| 36 | 21434288 | +* Screw - Self Tapping | | 43414073 | Floor Brush - AG |
| 37 | 36218020 | Cord Channel Cover - AG | | 43453052 | Extension Tube - 20 - AX |
| 38 | 36424010 | Bag Collar Support - AG | | 43453095 | Extension Tube - AX |
| 39 | 4010100S | Throw Away Bag Assm. - Micro Filtration | | 43433098 | Hose - 3W (P - 278) |
| 40 | 51151027 | Bag Indicator Assm. Comp. - JM/CP | | 48438047 | Power Nozzle - AAY (P - 280) |

Motor Assembly

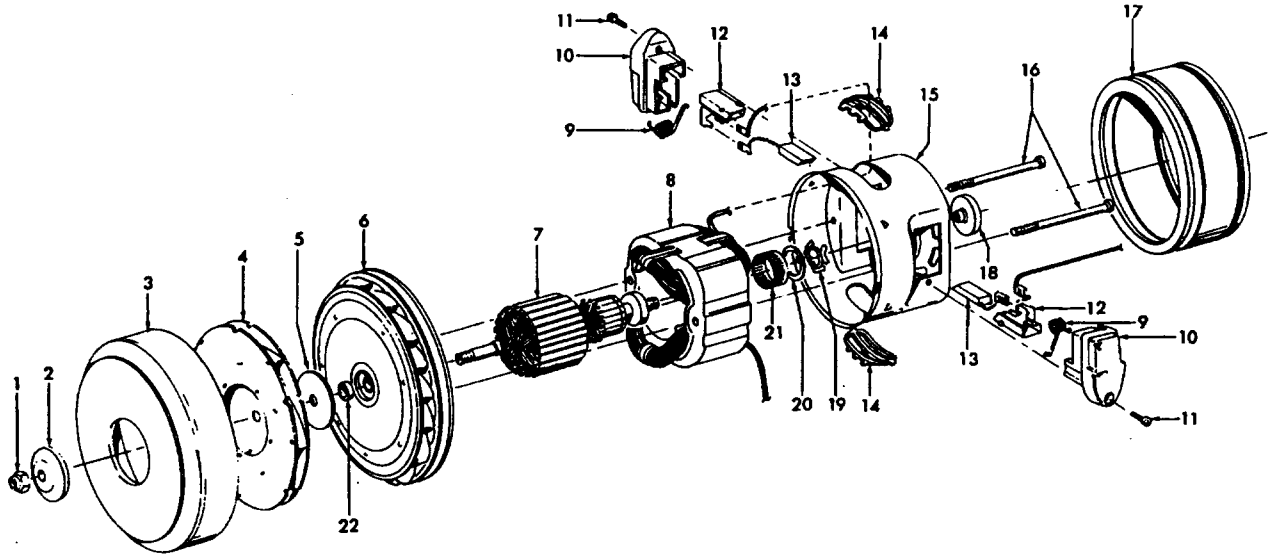
Models S3515, S3555, S3565, S3575, S3585,
S3595, S3603, S3605, S3609, S3615

S3515 (8.0 Amps)

S3555 (10.5 Amps)

S3565 (10.5 Amps)

Note: Refer to Data Label on cleaner for
reference to Amp Rating.

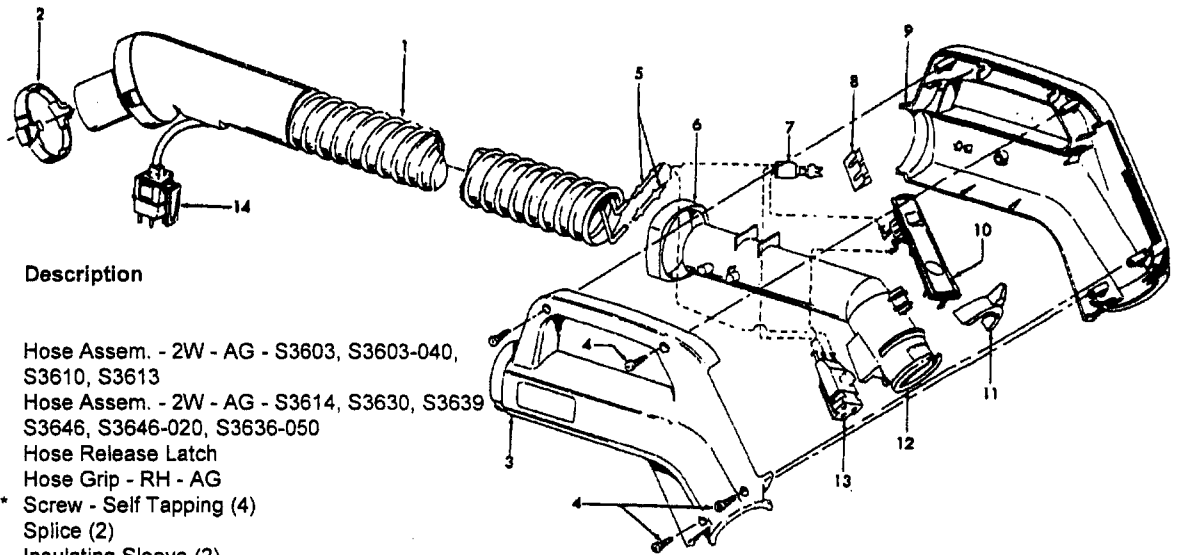


| Ref. No. | Part No. | Description |
|----------|----------|---------------------------------|
| | 43576116 | Motor Assm. |
| 1 | 12028 | + Nut |
| 2 | 21312774 | + Washer |
| 3 | 37196065 | Fan Cover |
| 4 | 43551008 | Fan Assm. |
| 5 | 21312774 | Washer - FW |
| 6 | 43551030 | Diffuser Assm. Comp. |
| 7 | 44765230 | Armature Assm. Comp. |
| 8 | 45311069 | + Field Assm. Comp. |
| 9 | 38353004 | Spring (2) |
| 10 | 168038AG | Brush Carrier (2) |
| 11 | 21429406 | * Screw - Self Tapping - EF (2) |
| 12 | 168506- | Brush Holder (2) |

| Ref. No. | Part No. | Description |
|----------|----------|-----------------------------------------|
| 13 | 167679 | Brush & Terminal Assm. |
| 14 | 169702BZ | + Bushing (2) |
| 15 | 42192015 | Motor Housing Assm. |
| 16 | 36112003 | +* Screw - Special (2) (Metal Diffuser) |
| | 21447221 | Screw (Plastic Diffuser) |
| 17 | 36322031 | Motor Mount |
| 18 | 36116023 | + Balancing Ring - Nut - AY |
| 19 | 21312778 | +* Spring Washer |
| 20 | 21345116 | + Thrust Washer |
| 21 | 24198002 | Star Ring |
| 22 | 31148009 | Bearing Spacer - AY |

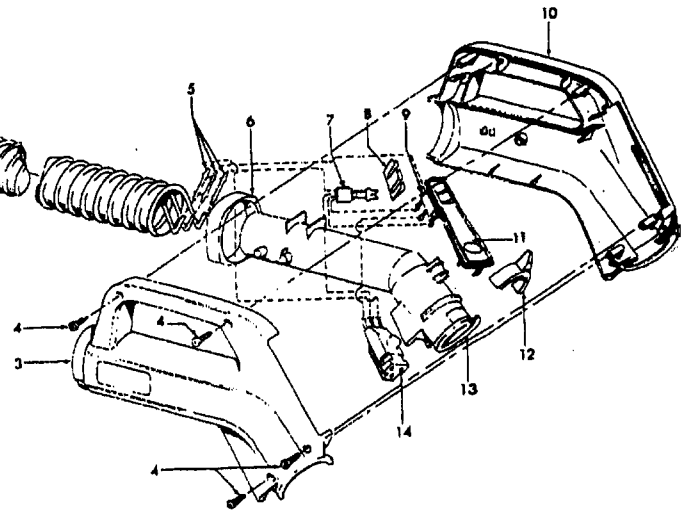
Hose Assembly - PowerMAX/TurboPOWER/ WindTunnel

Models S3603, S3603-040, S3609,
S3610, S3613, S3614, S3630, S3639,
S3640, S3646, S3646-020, S3636-050




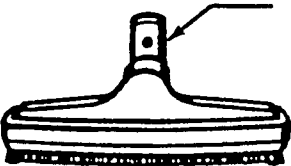



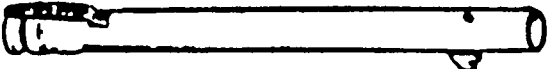
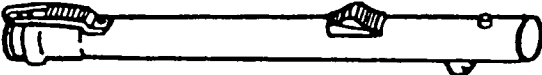
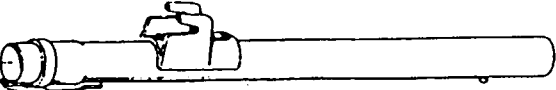
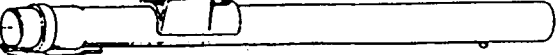

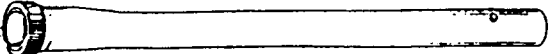


| Ref. No. | Part No. | Description |
|----------|----------|--------------------------------------------------------------------------|
| 1 | 43433110 | Hose Assem. - 2W - AG - S3603, S3603-040, S3610, S3613 |
| | 43433116 | Hose Assem. - 2W - AG - S3614, S3630, S3639, S3646, S3646-020, S3636-050 |
| 2 | 36153038 | Hose Release Latch |
| 3 | 39461018 | Hose Grip - RH - AG |
| 4 | 21447124 | +* Screw - Self Tapping (4) |
| 5 | 27613002 | Splice (2) |
| | 31712006 | * Insulating Sleeve (2) |
| 6 | 36131087 | Retaining Ring - ABR |
| 7 | 18972 | Insulated Terminal |
| 8 | 36913030 | * Insulator |
| 9 | 39461017 | Hose Grip - LH - AG |
| 10 | 47551011 | Grip Control Panel Assem. |
| | 47551031 | Grip Control Panel Assem. (Inc. items 7, 13) |
| | 51375132 | Nameplate - Grip Control Panel |
| 11 | 36153029 | Latch Ring -AG |
| 12 | 38646081 | Inner Tube - AG |
| 13 | 46526004 | Connector - BZ |
| 14 | 36152029 | Plug Latch - AG |
| | 40300051 | Cord Repair Kit - 2W |

| Ref. No. | Part No. | Description |
|----------|----------|---------------------------------------------|
| 1 | 43433098 | Hose Assem. - 3W - S3640 |
| 2 | 36153038 | Hose Release Latch |
| 3 | 39461016 | Hose Grip - RH - ABR |
| 4 | 21447124 | * Screw - Self Tapping (4) |
| 5 | 27613002 | Splice (3) |
| | 31712006 | * Insulating Sleeve (3) |
| 6 | 36131087 | Retaining Ring - ABR |
| 7 | 18972 | Insulated Terminal |
| 8 | 36913030 | * Insulator |
| 9 | 28267001 | Switch |
| 10 | 39461015 | Hose Grip - LH - ABR |
| 11 | 47551013 | Grip Control Panel Assem. (Incl. Items 7,9) |
| | 51375133 | Nameplate - Grip Control Panel |
| 12 | 36153029 | Latch Ring - AG |
| 13 | 38646034 | Inner Tube - AG |
| 14 | 46526004 | Connector |
| 15 | 36152029 | Plug Latch - AG |
| | 40300052 | Cord Repair Kit - 3W |



Cleaning Tools - Futura, Spectrum, Dimension, WindTunnel

| | |
|-------------------------------------------------------------------------------------|-----------------------------------------------------------------------------------------------------------------|
|  | 38617017 Crevice Tool - AG |
|  | 43414057 Furniture Nozzle - AG 43414141 Furniture Nozzle - ABR |
|  | 43414064 Dusting Brush - AG |
|  | 38644020 Swivel Connector - AG 38644040 Swivel Connector - AAP |
|  | 43414073 Floor Brush - AG |
|  | 48447001 + Brush Back |
|  | 36172584 Cord/Wand Clip |
|  | 43453052 Ext. Tube - 20 - AX 43453027 Ext. Tube 43453058 + Ext. Tube - BL 20 w/o Cord Clip |
|  | 43453023 Ext. Tube - AX 20 |
|  | 43453095 Ext. Tube - AX 20 (Black Storage Clip) (Spectrum) |
|  | 43453098 Ext. Tube - AX 20 (Gray Storage Clip) (Futura) |
|  | 43453099 Ext. Tube - AX 20 (Black Storage Clip) (WindTunnel Canister) |
|  | 3863801P Extension Tube - Poly - AG |