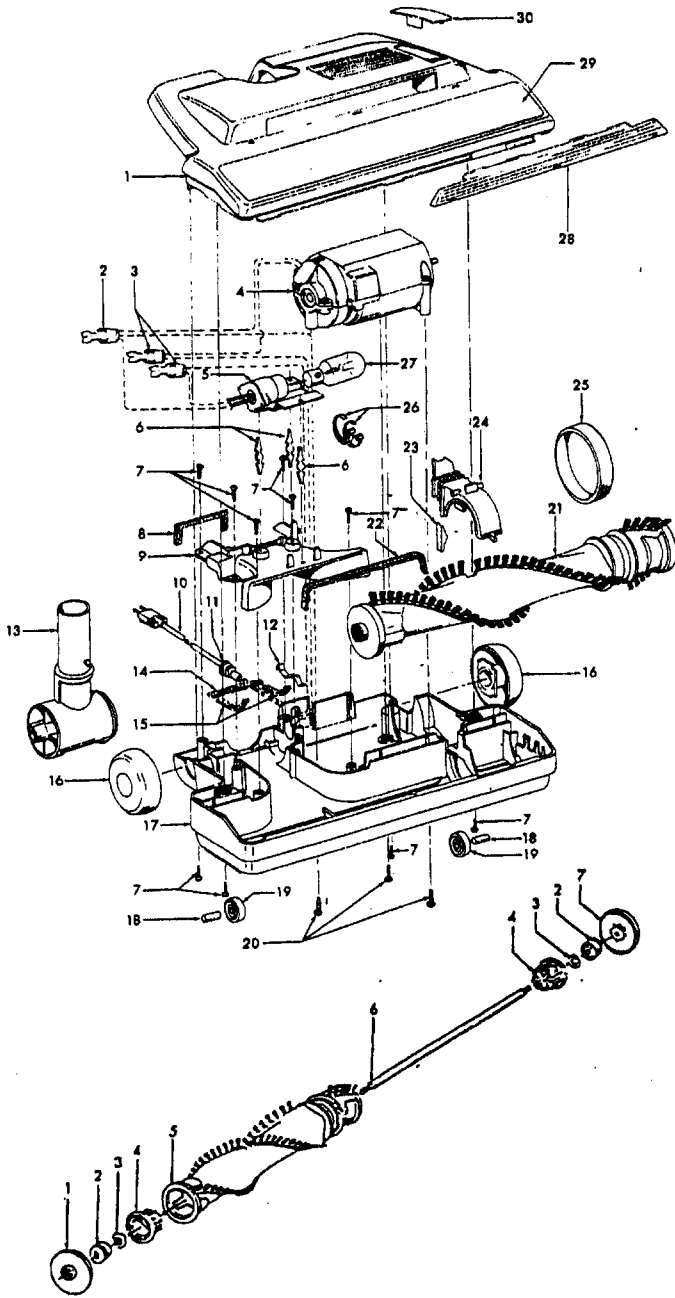


Powernozzle -

48438265 ABR - S3601
 48438090 ABY - S3607
 48438054 ABM - S3611
 48438266 AG - S3614

48438051 AAY- S3603-040, S3603
 48438047 ABM - S3609
 48438064 AG - S3613
 48438267 ADJ - S3606

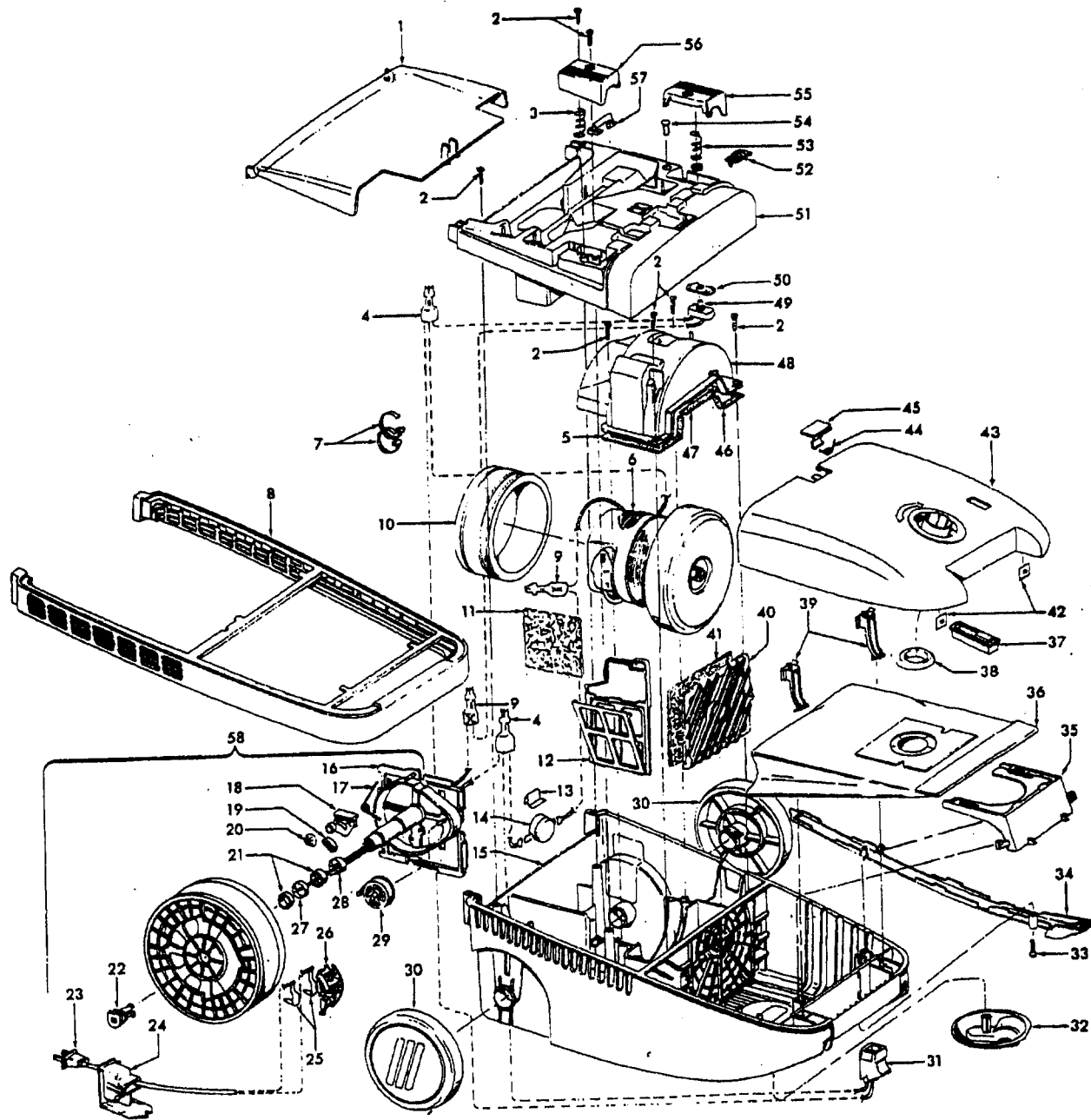
48438048- AG S3610, S3615
 48438082 ABM - S3620
 48438274 - AG - S3612



Ref. No.	Part No	Description
1	42252344	Nozzle Body Assem. - S3603, S3603-040 (incl. Items 28,29,30)
	42252345	Nozzle Body Assem. - S3609 (Incl. Items 28,29,30)
	42252346	Nozzle Body Assem. - AG -S3611, S3612, S3613, S3615, S3620 (Incl. Items 28,29,30)
	N/A	Nozzle Body Assem. - S3601,S3607, S3610, S3614 use 42252346
	37241163	Nozzle Body Assem. - S3606 (Incl. It. 28, 29, 30)
2	18972	Insulated Terminal
3	12227	Insulated Terminal (2)
4	43177062	Motor Assem. Comp.
5	47171020	Dirt Finder Socket Assem.
6	36218016	Isolation Grommet - AG (3)
7	21447003	* Screw - Self Tapping (10)
8	34253018	+ Rear Seal
9	42256099	+ Duct Cover Assem. (Incl. Items 5,6,8,22)
10	46521021	Cord Assem. - 3W - AG
	46321009	Cord Assem. - 2W - S3601, S3607, S3614 S3612
11	163768	Strain Relief Bushing
12	35276008	Detent Spring
13	43482106	Nozzle Conn. Assem. - AG
14	34112007	* Seal
15	34122014	* Seal (2)
16	43244043	Wheel Assem. AG (2)
17	42246114	Base Plate Assem. - ABR (Incl. Items 18,19)
	42246115	Base Plate Assem. - AG (Incl. Items 18, 19)
18	31522004	Wheel Shaft - AY (2)
19	32761001	Wheel - AG (2)
20	21479801	* Screw - Self Tapping (3)
21	48414081	Agitator Assem. Comp.
22	34123039	* Duct Cover Seal
23	13261AY	* Rug Nozzle Rib Shoe
24	36923008	Belt Guard
25	38528011	Belt
26	27479307	* Lead Wire Tie
27	27317307	Dirt Finder Lamp
28	39383105	+ Dirt Finder Lens - AAN
29	52125135	Nameplate
	52125141	Nameplate - S3603-040, S3610, S3611 S3620, S3606
	52125149	Nameplate - S3614
	N/A	Nameplate - S3613
	N/A	Nameplate - S3612
30	48111010	Belt Lens
	39383096	Belt lens Cover - S3606

ITEMS NOT ILLUSTRATED
 39385007

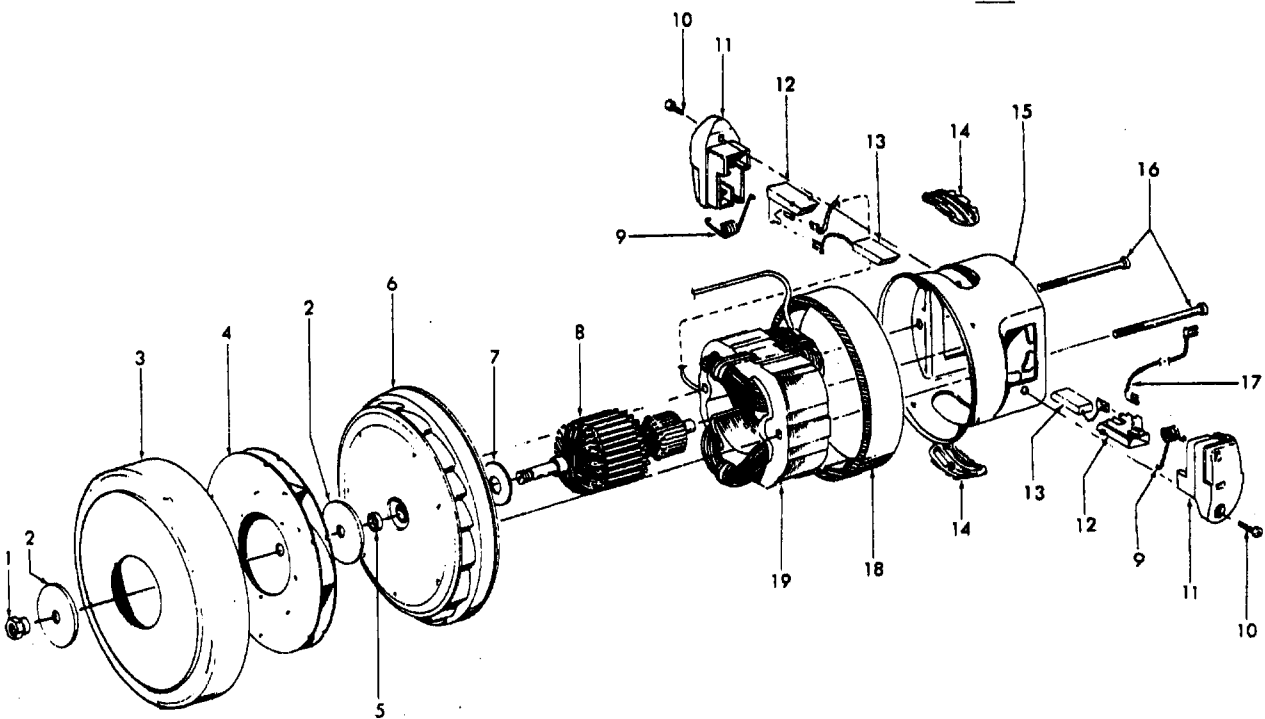
		Reflector
Agitator 48414081		
1	36423016	Thread Guard - RH
2	43267002	Agitator Bearing Assem. (2)
3	21347003	* Conical Washer (2)
4	36422022	Agitator End (2)
5	N/A	Agitator Body
6	32724013	+ Agitator Shaft
7	36423017	Thread Guard - LH - AG



**PowerMAX
TurboPOWER**

**Model S3601, S3603, S3603-040, S3606, S3607, S3610, S3614
Model S3612, S3613**

Ref. No.	Part No.	Description			
1	37215180	Tool Lid - AAN		42217187	Bag Lid Assem. - AG - S3614 (Incl. It. 38, 44, 45)
2	21447217	* Screw (7)		42217188	Bag Lid Assem. - ADK -S3606 (Incl. It. 38, 44, 45)
3	38314024	Spring - FW		42217192	Bag Lid Assem. - AG -S3612 (Incl. It. 37, 38, 44, 45)
4	18972	Insulated Terminal (2)		44	38351009 Torsion Spring
5	34633003	+ Retainer Seal - RH		45	36153040 Bag Lid Latch - AG
6	43576116	Motor Assem. (P - 235)		46	34633002 Retainer Seal - LH
	43576186	Motor Assem. - S3603-040, S3613 (P-290)		47	34123040 Retainer Seal - Center
	43576184	Motor - S3601, S3606, S3607, S3610, S3612, S3614 (P.266)		48	41312040 Motor Retainer - AAP (Incl. It 5,46,47)
7	27479307	* Lead Wire Tie		49	28212026 Switch - with Leads
8	36235083	Furniture Guard - ABR			28218048 Switch - with Terminals
	36235069	Furniture Guard - AG - S3601, S3606, S3607, S3610, S3612, S3613, S3614		50	34135014 Switch Mounting Plate - AAP
9	12227	Insulated Terminal (2)		51	41426109 Motor Cover - AAY (Incl. It 3,56,57)
10	36322031	Motor Mount			41426130 Motor Cover - AG - S3613, S3614 (Incl. Items 3, 56, 57)
11	34174012	* Exhaust Filter			41426132 Motor Cover - ABY - S3607, S3610 (Incl. Items 3, 56, 57)
12	38769019	Exhaust Filter Cassette - AAU			41426139 Motor Cover - ABR - S3601 (Incl. It 3, 56, 57)
13	21378160	Retaining Clip S3603, S3603-040, S3613			41426144 Motor Cover - ADJ - S3606 (Incl. It. 3, 56, 57)
14	28382035	Thermal Protector - S3603, S3603-040, S3613		52	37941041 Rheostat Cover - AAY
15	Note: All Main Body Assem. Incl. It. 8, 31, and 34				37941045 Rheostat Cover - ABY - S3610
	42215083	Main Body Assem. - AAY also (Incl. It. 13,14)		53	38314022 Spring - FW
	42215003	Main Body Assem. - AG - S3612, S3613 (also Incl. It 13, 14)			38314026 Spring - S3601, S3603-040, S3607, S3613, S3606
	42215003	Main Body Assem. - AG - S3614		54	23762005 * Plug
	42215094	Main Body Assem. ABY - S3607, S3610		55	38422159 Switch Pedal - AG
	42215095	Main Body Assem. ABR - S3601 (also Incl. Items 13, 14)			38422184 Switch Pedal - AG - w/o Post (Use with 28218048 Switch)
	42215008	Main Body Assem. ADJ - S3606			38422186 Switch Pedal - ABR - S3603-040
16	N/A	Cord Reel Support		56	+ Cord Reel Pedal - ABR
17	N/A	Torsion Spring			38422171 Cord Reel Pedal - AG - S3601, S3606, S3607, S3610, S3612, S3614
18	N/A	Brake Lever - AAP			38422155 Cord Reel Brake Arm - AG
19	N/A	Brake Pad		57	38458034 Cord Reel Assem.
20	N/A	Push Nut		58	41911014
21	N/A	Spacer - BZ (2)		ITEMS NOT ILLUSTRATED:	
22	N/A	Retainer - AG			56513333 + Owner Manual
23	46383288	Attachment Cord - AG			56513341 Owner Manual - S3613
24	36218018	Ferrule - AG			56513345 Owner Manual - S3601, S3607, S3610, S3614, S3606
25	N/A	Contact Spring (2)			56513361 Owner Manual - S3612
26	N/A	Brush Holder - BZ			58175127 Carton - Common
27	N/A	Slip Ring Assem. - White			58211011 Bottom Support - Front
28	N/A	Slip Ring Assem. - Black			58211012 + Bottom Support - Rear
29	N/A	Spool & Spring Assem.		CLEANING TOOLS (P - 240)	
30	38522065	Wheel - AG (2)			38617017 Crevice Tool - AG
31	46326082	Receptacle Assem. - AG			43414141 Furniture Nozzle - ABR
32	41432040	Wheel Carrier Assem. - AG			43414057 Furniture Nozzle - AG
33	21447223	+* Screw - Self Tapping			43414064 Dusting Brush - AG
34	36218020	Cord Channel Cover - AG			43414073 Floor Brush - AG
35	36424010	Bag Collar Support - AG			43453023 Extension Tube - AX - 20 - All Models (1)
36	4010100S	Throw Away Bag Assem. - Micro			43453098 Extension Tube - AX - S3603-040, S3610, S3613
37	51151027	Bag Indicator Assem. Comp. - JM/CP			43453052 Extension Tube - AX - 20 - S3601, S3607 S3614, S3606
	51151010	Bag Indicator - S3601, S3606, S3607, S3610, S3612			43453095 Extension Tube - AX - 20 - S3603
38	36424012	Bag Collar Seal - AG			43433116 Hose - 2W - AG - S3614 (P-278)
39	36151027	Bag Lid Hinge - AG (2)			43433110 Hose - 2W - AG - S3603, S3603-040, S3610, S3613 (P. 278)
40	37944005	Filter Retainer - AG			43433113 Hose - 2W - S3601, S3606, S3607 (P. 311)
41	38765009	Secondary Filter			48438051 Power Nozzle - AAY- S3603-040, S3603 (P- 280)
42	21378159	Speed Clip (2)			48438064 + Power Nozzle - AG - S3613 (P- 280)
43	42212135	Bag Lid Assem. - Common (Incl. Items 37, 38, 42, 44, 45)			48438048 Power Nozzle - AG - S3610 (P. 280)
	42217170	+ Bag Lid Assem. - AG - S3613 (Use 42212135 - Common - AG)			48438090 Power Nozzle - ABY - S3607 (P. 280)
	42217168	+ Bag Lid Assem. - AAY - S3603-040 (Use 42212135 - Common - AG)			48438265 Power Nozzle - ABR - S3601 (P. 280)
	42217182	Bag Lid Assem. - ABR - S3601 (Inc. items 37, 38, 44, 45)			48438266 Power Nozzle - AG - S3614 (P. 280)
	42217175	Bag Lid Assem - ABY - S3607, S3610 (Incl. It 38, 44, 45)			48438267 Power Nozzle - ADJ - S3606 (P. 280)
					48438274 Power Nozzle - AG - S3612 (P. 280)

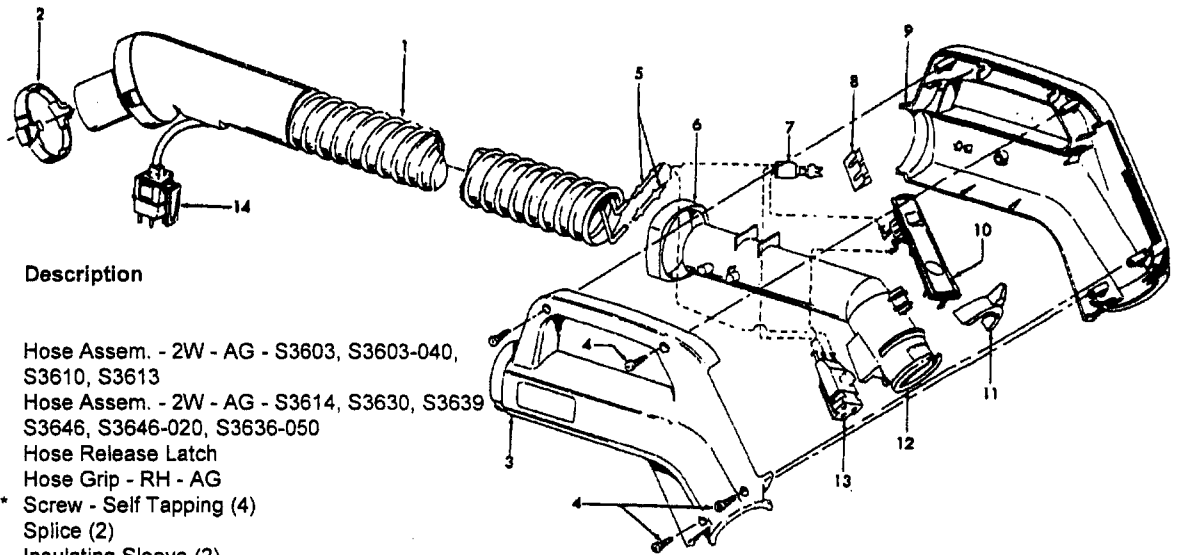


Ref. No.	Part No.	Description
	43576184	Motor Assem. (Molded Diffuser)
	43576192	Motor Assem. - S3630, S3639, S3646, S3646-020, S3649, S3655, S3661
1	12028--	+ Nut
2	21312774	+ Washer - FW (2)
3	37196065	Fan Cover
4	43551008	Fan
5	31148009	Bearing Spacer (Use w/Die Cast Diffuser)
	31148011	Bearing Spacer (Use w/Molded Diffuser)
6	43551029	+ Diffuser Assem. Comp. (Molded)
7	31165003	+* Bearing Retainer Plate (Die Cast Diffuser)
8	44765138	Armature Assem.
	44765241	Armature Assem. - S3630, S3646, S3655
9	38353004	Spring (2)
10	21429406	* Screw (2)
11	167696AG	Brush Carrier (2)

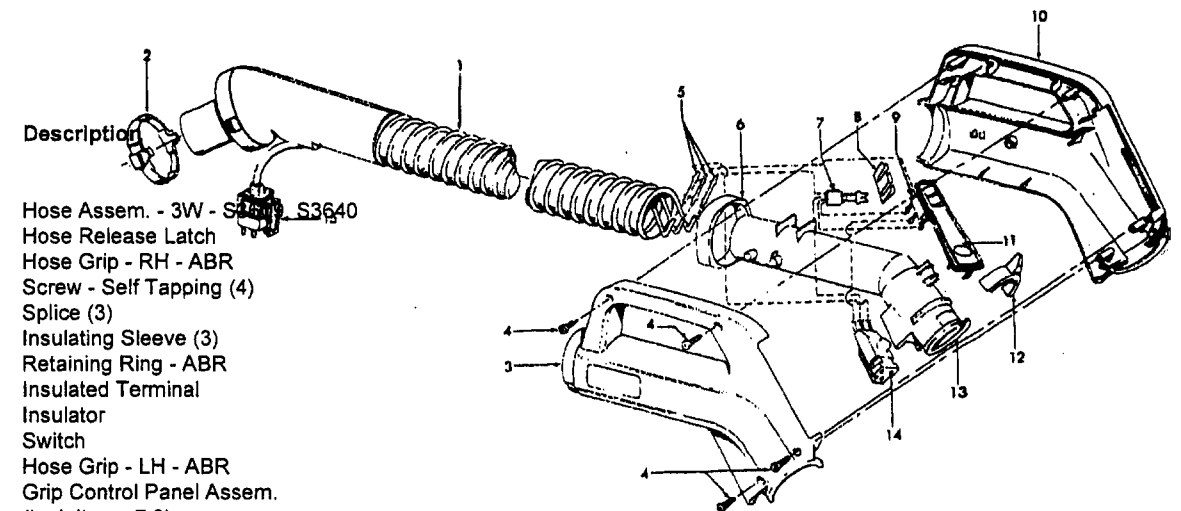
Ref. No.	Part No.	Description
12	N/A	Brush Holder (2) - Use Brush Carrier Assem. 47318008 (Incl. lt. 9, 11, 12, 13)
13	167681 47315011	Motor Brush Assm. (2) Motor Brush Assm. (2) - S3630, S3646, S3655
14	169702BZ	+ Bushing (2)
15	42193025	Motor Housing Assm.
16	36112006	Field Lamination Bolt (2) (Die Cast Diffuser)
	21447222	+ Field Lamination Bolt (2) (Phenolic Diffuser)
	21479573	Screw (2) - S3630, S3646, S3655
17	46176001	Lead Wire Assm.
18	36322031	Motor Gasket
19	45311051	Field Assm.

Hose Assembly - PowerMAX/TurboPOWER/ WindTunnel

Models S3603, S3603-040, S3609,
S3610, S3613, S3614, S3630, S3639,
S3640, S3646, S3646-020, S3636-050




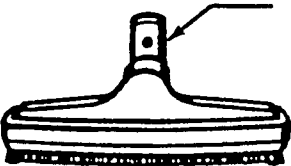



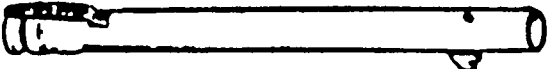
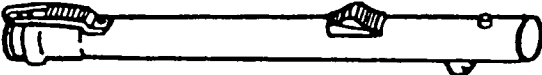
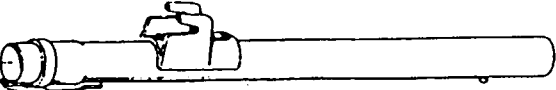
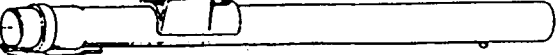

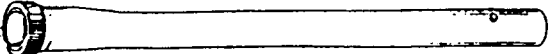
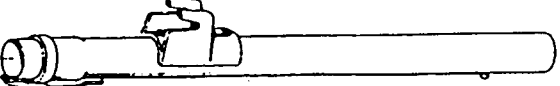
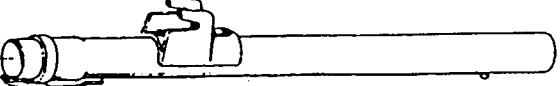
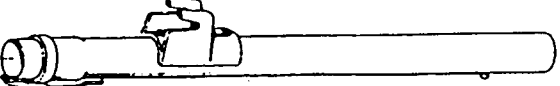
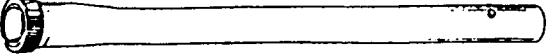


Ref. No.	Part No.	Description
1	43433110	Hose Assem. - 2W - AG - S3603, S3603-040, S3610, S3613
	43433116	Hose Assem. - 2W - AG - S3614, S3630, S3639, S3646, S3646-020, S3636-050
2	36153038	Hose Release Latch
3	39461018	Hose Grip - RH - AG
4	21447124	+* Screw - Self Tapping (4)
5	27613002	Splice (2)
	31712006	* Insulating Sleeve (2)
6	36131087	Retaining Ring - ABR
7	18972	Insulated Terminal
8	36913030	* Insulator
9	39461017	Hose Grip - LH - AG
10	47551011	Grip Control Panel Assem.
	47551031	Grip Control Panel Assem. (Inc. items 7, 13)
	51375132	Nameplate - Grip Control Panel
11	36153029	Latch Ring -AG
12	38646081	Inner Tube - AG
13	46526004	Connector - BZ
14	36152029	Plug Latch - AG
	40300051	Cord Repair Kit - 2W



Ref. No.	Part No.	Description
1	43433098	Hose Assem. - 3W - S3640
2	36153038	Hose Release Latch
3	39461016	Hose Grip - RH - ABR
4	21447124	* Screw - Self Tapping (4)
5	27613002	Splice (3)
	31712006	* Insulating Sleeve (3)
6	36131087	Retaining Ring - ABR
7	18972	Insulated Terminal
8	36913030	* Insulator
9	28267001	Switch
10	39461015	Hose Grip - LH - ABR
11	47551013	Grip Control Panel Assem. (Incl. Items 7,9)
	51375133	Nameplate - Grip Control Panel
12	36153029	Latch Ring - AG
13	38646034	Inner Tube - AG
14	46526004	Connector
15	36152029	Plug Latch - AG
	40300052	Cord Repair Kit - 3W

Cleaning Tools - Futura, Spectrum, Dimension, WindTunnel

	38617017	Crevice Tool - AG
	43414057	Furniture Nozzle - AG
	43414141	Furniture Nozzle - ABR
	43414064	Dusting Brush - AG
	38644020	Swivel Connector - AG
	38644040	Swivel Connector - AAP
	43414073	Floor Brush - AG
	48447001	+ Brush Back
	36172584	Cord/Wand Clip
	43453052	Ext. Tube - 20 - AX
	43453027	Ext. Tube
	43453058	+ Ext. Tube - BL 20 w/o Cord Clip
	43453023	Ext. Tube - AX 20
	43453095	Ext. Tube - AX 20 (Black Storage Clip) (Spectrum)
	43453098	Ext. Tube - AX 20 (Gray Storage Clip) (Futura)
	43453099	Ext. Tube - AX 20 (Black Storage Clip) (WindTunnel Canister)
	3863801P	Extension Tube - Poly - AG